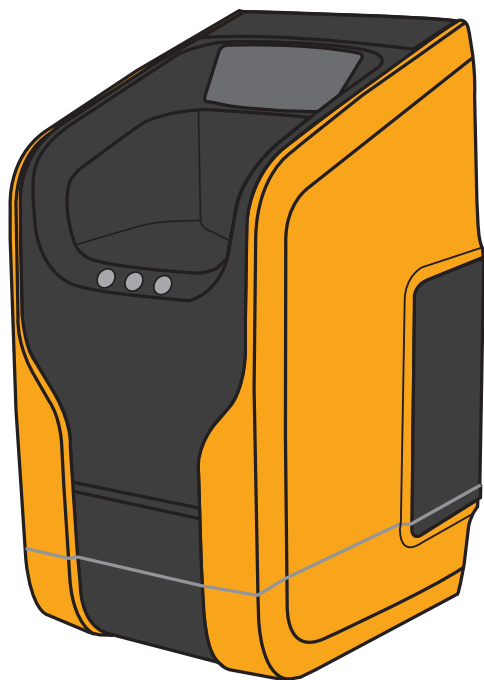


# integral 4PLUS

**hr**

**en**



## Dobro došli!

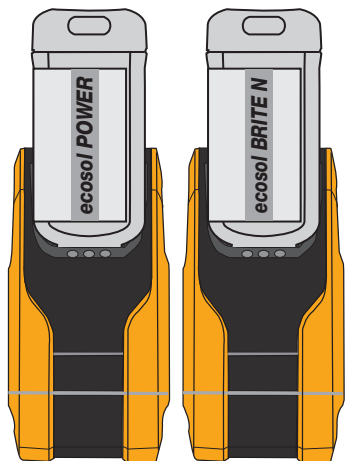
Kupnjom dozatora integral 4PLUS odlučili ste se za precizni i potpuno automatski dozirni uređaj za profesionalne perilice. Sa sustavom integral 4PLUS doziraju se tekući visokokonzentrirani deterdženti i sjajila. Time pokrivate potrebne zahtjeve na pranju posuđa u kuhinji.

U ovom uputstvu za upotrebu objašnjeno je kako izvesti montažu i uvesti uređaj u pogon. Podršku za Vaš novi sustav dozatora možete pronaći na stranici [www.hagleitner.com](http://www.hagleitner.com), putem filma za primjenu, gdje je objašnjena montaža, puštanje u pogon i upotreba sustava.

Zahvaljujemo Vam što ste se odlučili za ovaj proizvod marke HAGLEITNER.

U slučaju pitanja, problema ili prijedloga rado ćemo Vas kontaktirati te molimo za podatke Vaše adrese i telefonskog broja!

U multiFILL patroni: visokokonzentrirani deterdžent i sjajilo  
Kompaktni izbor za profesionalno pranje posuđa



### Sredstvo za čišćenje

**ecosol POWER**

Br.Art. 4220101119

**ecosol POWER ALU**

Br.Art. 4220101319

**ecosol POWER OSMO GL**

Br.Art. 4220101219

### Sredstvo za visoki sjaj

**ecosol BRITE N**

Br.Art. 4220200319

**ecosol BRITE S**

Br.Art. 4220200419



Za uputstvo za upotrebu na Vašem jeziku  
skenirajte slijedeći QR-Code:  
<http://www.hagleitner.com/en/downloads/>

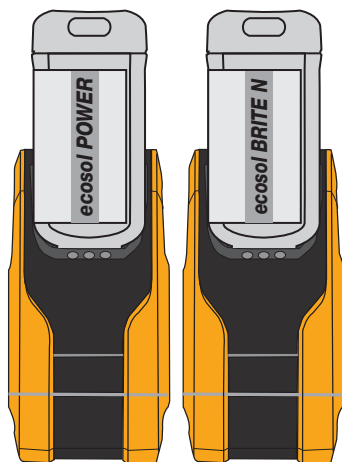
## Welcome!

With your selection of the integral 4PLUS dispenser, you have chosen a precise and fully automated dosing unit for industrial, commercial dishwashing machines. Integral 4PLUS dispenser is a dosing device for liquid, concentrated dishwashing detergent and rinse-aid. Specially developed to cover the requirements of commercial dishwashing.

These operating instructions explain the installation and operation of the unit. For further support, go to [www.hagleitner.com](http://www.hagleitner.com) and view a user video about the installation, initial start-up and use of your new dispensing system.

Thank you for choosing this HAGLEITNER product. We look forward to receiving your address and telephone number to make contact in the event of questions, problems or suggestions!

In the multiFILL cartridge: concentrated detergent and rinse-aid  
A compact assortment for commercial dishwashing



### Cleaner

**ecosol POWER** Art.-No. 4220101119

**ecosol POWER ALU** Art.-No. 4220101319

**ecosol POWER OSMO GL**  
Art.-No. 4220101219

### Rinse-aid

**ecosol BRITE N** Art.-No. 4220200319

**ecosol BRITE S** Art.-No. 4220200419



Please scan this QR code for instructions for use in your language:  
<http://www.hagleitner.com/en/downloads/>

## popis sadržaja

što Vam je potrebno .....	6
dostavljeni sadržaj .....	7
integral 4PLUS dozator .....	7
integral 4PLUS FLOWMETER .....	8
integral 4PLUS PUMP POWER / BRITE .....	8
integral 4START POWER / BRITE .....	9
integral 4PLUS powerPACK ex .....	9
opcija: integral 4WALL .....	10
opcija: integral 4PLUS DISPLAY .....	10
popis alata .....	10
moгуćnosti montaže .....	11
montaža ispod stola / montaža na zid .....	11
postavljanje pumpe .....	13
postavljanje poklopca sa oznakom .....	18
montaža pojediničnog dozatora .....	19
potpulsna montaža pojedinačnog dozatora .....	19
montaža na zid pojedinačnog dozatora .....	22
montaža u nizu .....	24
montaža u nizu ispod stola .....	24
montaža na zid u nizu .....	28
montaža integral 4PLUS FLOWMETER .....	32
postavljanje crijeva i kablova pojedinačni dozator .....	34
postavljanje crijeva/kablova .....	34
postavljanje bočnih dijelova .....	36
postavljanje dozatora .....	37
L-dio spojiti .....	39
Kabel spojiti .....	41
postavljanje crijeva i kablova kod montaže u nizu .....	43
postavljanje crijeva/kablova .....	43-44
postavljanje bočnih dijelova .....	45
postavljanje dozatora .....	46
L-dio spojiti .....	48
Kabel spojiti .....	51
montaža priključka deterdženta .....	52
montaža priključka na tank .....	52
montaža priključka sredstva za sjajilo .....	54
montaža povratnog ventila .....	54
priključak struje .....	55
Aplikacija: aktivacija dozatora .....	56
potrošni dijelovi .....	56
Upotreba .....	57
zamjena patrona .....	57
piktogrami .....	58



# Content

<b>What you need</b> .....	<b>6</b>
<b>Scope of delivery</b> .....	<b>7</b>
<i>integral 4PLUS dispenser</i> .....	7
<i>integral 4PLUS FLOWMETER</i> .....	8
<i>integral 4PLUS PUMP POWER / BRITE</i> .....	8
<i>integral 4START POWER / BRITE</i> .....	9
<i>integral 4PLUS powerPACK ex</i> .....	9
Option: <i>integral 4WALL</i> .....	10
Option: <i>integral 4PLUS DISPLAY</i> .....	10
Tool list .....	10
<b>Mounting options</b> .....	<b>11</b>
Undertable/wall mounting .....	11
<b>Insert pump</b> .....	<b>13</b>
Insert label .....	18
<b>Installation individual dispenser</b> .....	<b>19</b>
Under table installation individual dispenser .....	19
Wall installation individual dispenser .....	22
<b>Row installation</b> .....	<b>24</b>
Row installation under table .....	24
Row installation wall .....	28
<b>Installation integral 4PLUS FLOWMETER</b> .....	<b>32</b>
<b>Hose and cable installation individual dispenser</b> .....	<b>34</b>
Hose/cable installation .....	34
Side part mounting .....	36
Dispenser mounting .....	37
Connecting L-part .....	39
Connecting cable .....	41
<b>Hose and cable installation row installation</b> .....	<b>43</b>
Hose/cable installation .....	43-44
Side part mounting .....	45
Dispenser mounting .....	46
Connecting L-parts .....	48
Connecting cable .....	51
<b>Installation cleaner connection</b> .....	<b>52</b>
Installation tank inlet .....	52
<b>Installation rinse-aid connection</b> .....	<b>54</b>
Installation check valve .....	54
<b>Power connection</b> .....	<b>55</b>
<b>App: activation dispenser</b> .....	<b>56</b>
<b>Wearing parts</b> .....	<b>56</b>
<b>Operation</b> .....	<b>57</b>
Cartridge exchange .....	57
<b>Pictograms</b> .....	<b>58</b>



preuzmite datoteku HAGLEITNER APP.  
Download the HAGLEITNER App.



### tehnički podaci / Technical specifications:

težina / Weight:

zid/wall 3,7 kg,  
Pod/floor 3,37 kg

Dimenzije / Dimensions:

Zid/wall 34,5, Pod/floor  
27,5 (V) x 17,8 (Š) x 22,2 cm (D)  
min. 1 l/min., max. 20 l/min

protok vode / Water flow rate:

priključak vode / Water connection:

3/4 cola/inch

pritisak / Pressure:

max. 8 bar @ 20° C

max. 5 bar @ 40° C

temperatura vode / Water temperature:

5–60° C

temperatura prostora / Ambient temperature:

5–30° C

opskrbni napon / Supply voltage:

24 V-DC / 1,5 A max.

mrežni napon / System voltage:

230 V (EU); 110 V (USA)

montaža u nizu / Row installation:

max. 3 uređaja / devices

kategorija zaštite / Protection class:

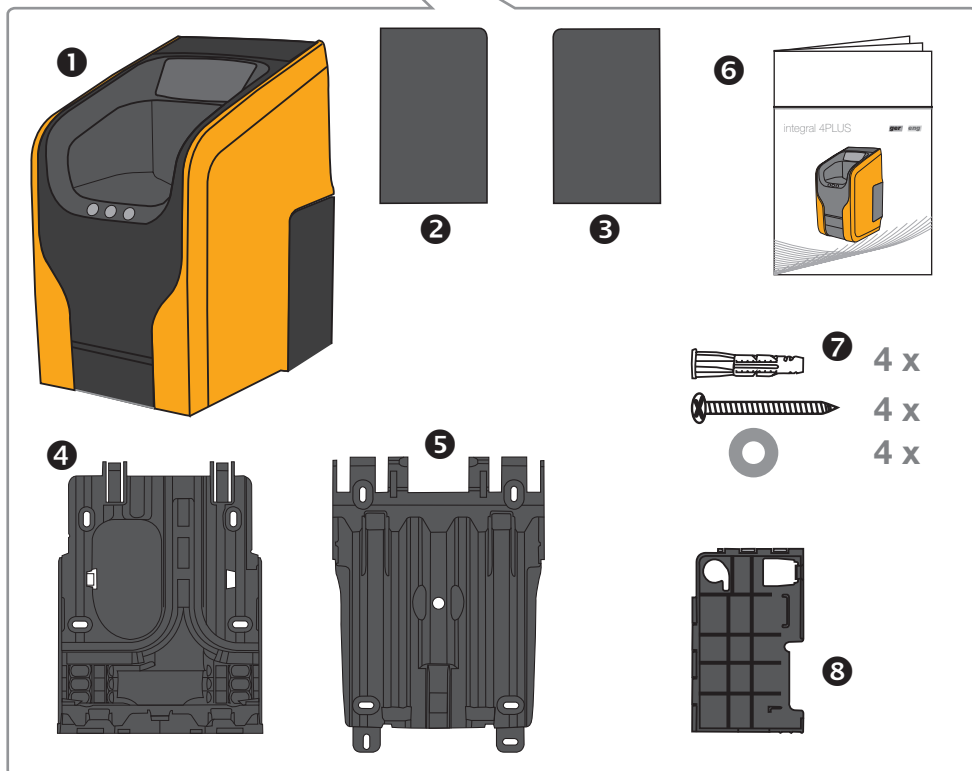
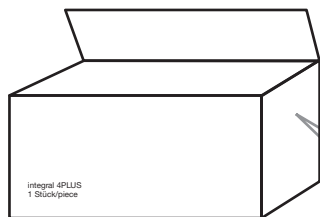
IP21

## dostavljeni sadržaj / Scope of delivery

### Integral 4PLUS dozator / integral 4PLUS dispenser

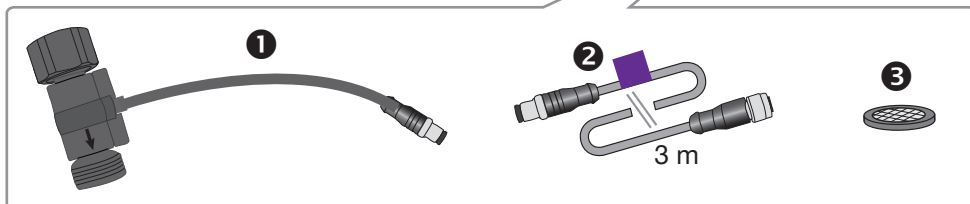
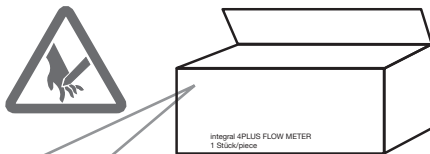
- 1 integral 4PLUS - dozator
- 2 bočni dio lijevo
- 3 bočni dio desno
- 4 montažna ploča gore
- 5 montažna ploča dolje
- 6 uputstvo za upotrebu
- 7 set za montažu
- 8 pločica za spajanje

- 1 *integral 4PLUS - Dispenser*
- 2 *side part left*
- 3 *side part right*
- 4 *mounting plate top*
- 5 *mounting plate bottom*
- 6 *operating instructions*
- 7 *mounting kit*
- 8 *connecting plate*

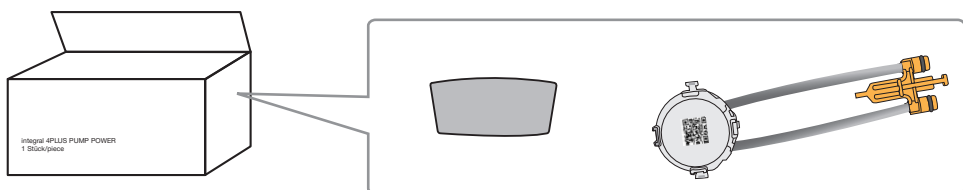


## Integral 4PLUS FLOW METER / *integral 4 PLUS FLOW METER*

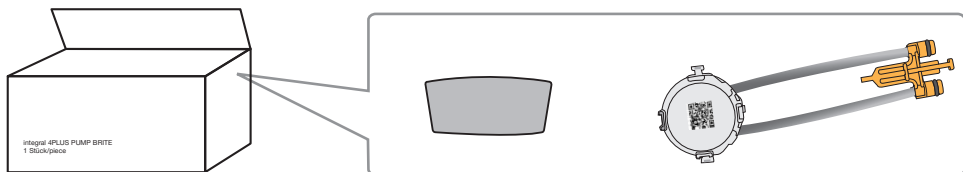
- |                       |                        |
|-----------------------|------------------------|
| ① brojač protoka vode | ① <i>flow meter</i>    |
| ② Buskabel 3 m        | ② <i>bus kabel 3 m</i> |
| ③ dihtung             | ③ <i>seal</i>          |



## integral 4PLUS PUMP POWER / *integral 4PLUS PUMP POWER*

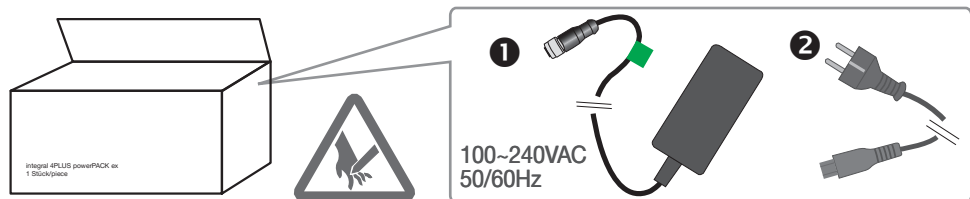


## integral 4PLUS PUMP BRITE / *integral 4PLUS PUMP BRITE*



## integral 4PLUS powerPACK ex / *integral 4PLUS powerPACK ex*

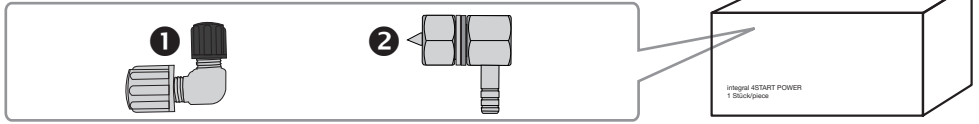
- |                                       |   |
|---------------------------------------|---|
| ① napajanje sa priključnim kablom 2 m | ① <i>power supply unit with cable 2 m</i> |
| ② utikač kabel 1,8 m                  | ② <i>plug 1,8 m</i>                       |





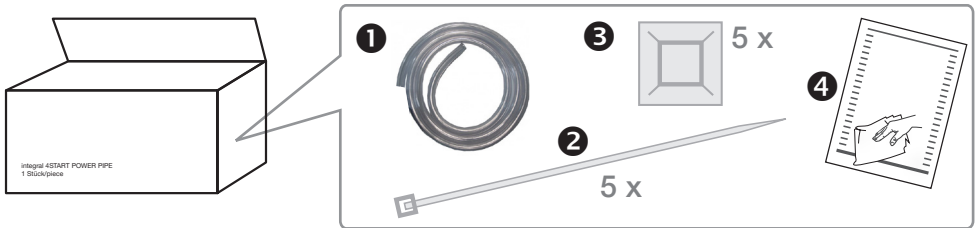
## integral 4START POWER / *integral 4START POWER*

- ① L-priključak
- ② priključak na tank
- ① *L-part*
- ② *tank inlet*



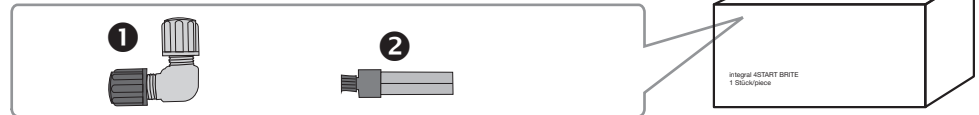
## integral 4START POWER PIPE / *integral 4START POWER PIPE*

- ① crijevo za deterđent 6 m - Ø 8 mm
- ② vezice za kabel
- ③ ljepljivi nosači
- ④ krpa za čišćenje
- ① *hose for detergent 6 m Ø 8 mm*
- ② *cable ties*
- ③ *adhesive mounts*
- ④ *cleaning cloth*



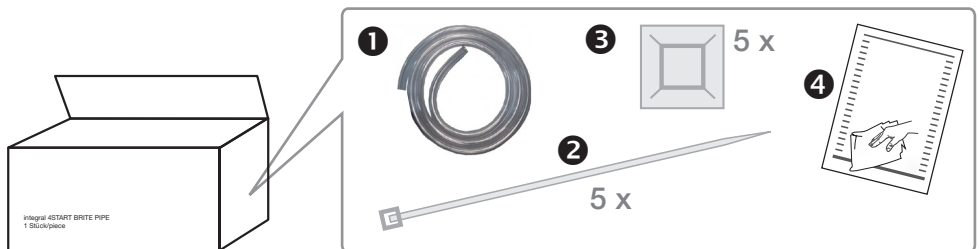
## integral 4START BRITE / *integral 4START BRITE*

- ① L-priključak
- ② povratni ventil
- ① *L-part*
- ② *check valve*



## integral 4START BRITE PIPE / *integral 4START BRITE PIPE*

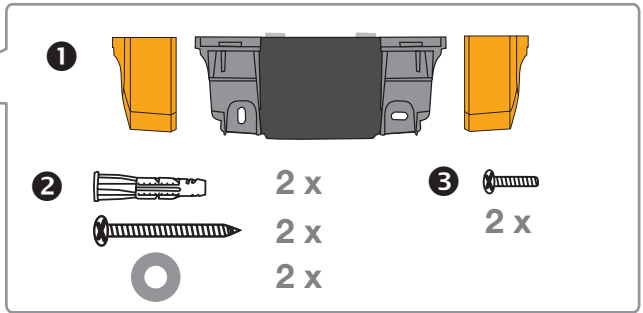
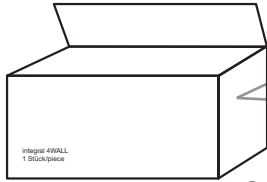
- ① crijevo za sjajilo 6 m - Ø 6 mm
- ② vezice za kabel
- ③ ljepljivi nosači
- ④ krpa za čišćenje
- ① *hose for rinse-aid 6m - Ø 6 mm*
- ② *cable ties*
- ③ *adhesive mounts*
- ④ *cleaning cloth*



## opcija: integral 4WALL / Option: integral 4WALL

- ❶ 3-djelni set za zidnu montažu
- ❷ 2 šarafa, 2 tiple, 2 podložne šajbe
- ❸ kratki šaraf

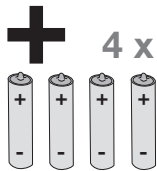
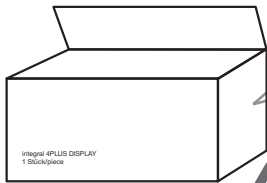
- ❶ 3 parts module for wall
- ❷ 2 screw, 2 dowel, 2 washer
- ❸ screw short



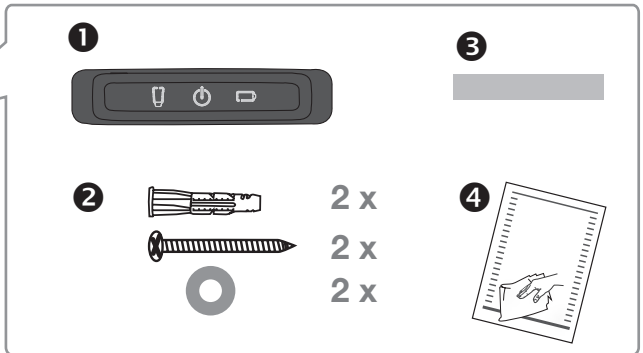
## opcija: integral 4PLUS DISPLAY / Option: integral 4PLUS DISPLAY

- ❶ integral 4PLUS DISPLAY
- ❷ 2 šarafa, 2 tiple, 2 podložne šajbe
- ❸ ljepljiva vrpca
- ❹ krpa za čišćenje

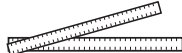
- ❶ integral 4PLUS DISPLAY
- ❷ 2 screw, 2 dowel, 2 washer
- ❸ adhesive strip
- ❹ cleaning cloth



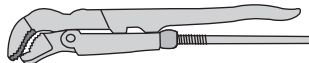
AAA  
(LR03, 24A)



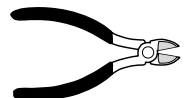
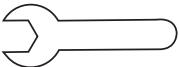
## popis alata / tool list



Ø 14 mm  
+ Ø 6 mm

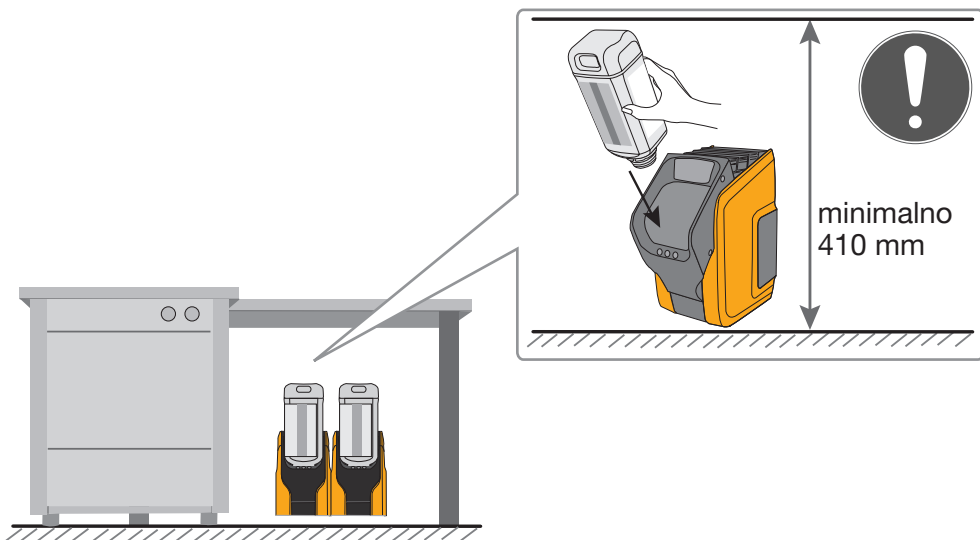


2 x

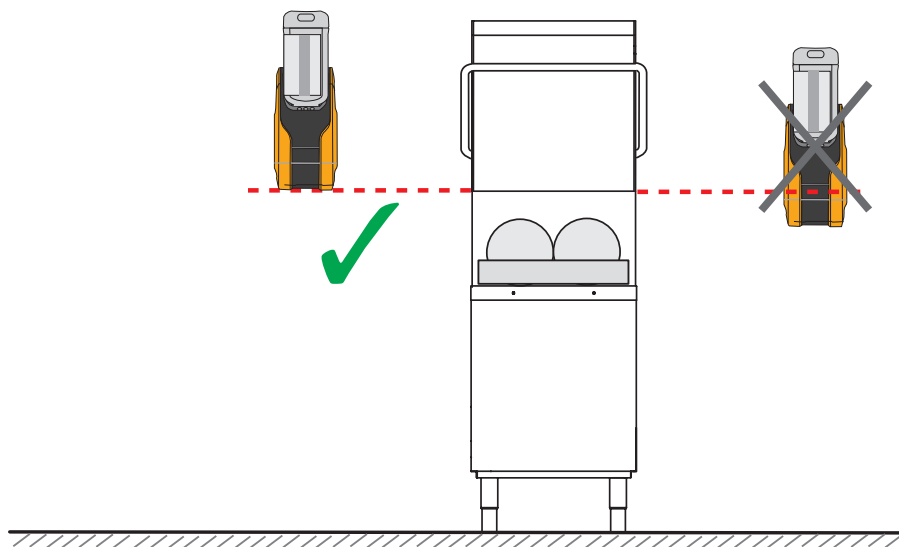


## mogućnosti montaže / mounting options

### montaža ispod stola / undertable mounting



### montaža na zid / wall mounting



DIN VDE 100  
Zone 3

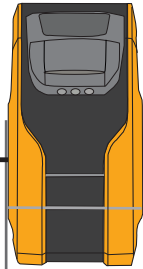
DIN VDE 100  
Zone 2



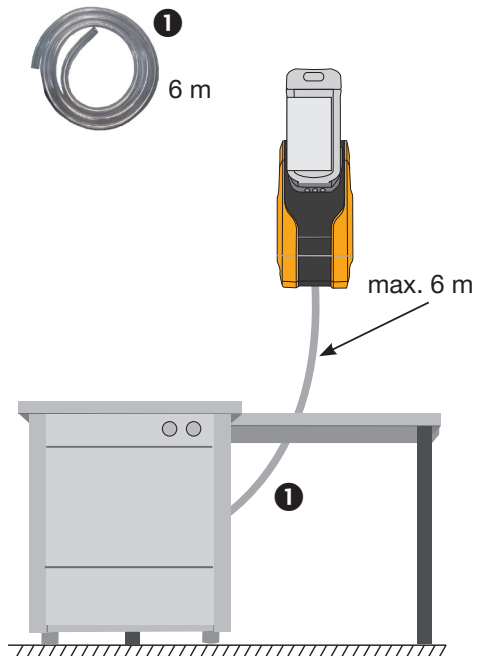
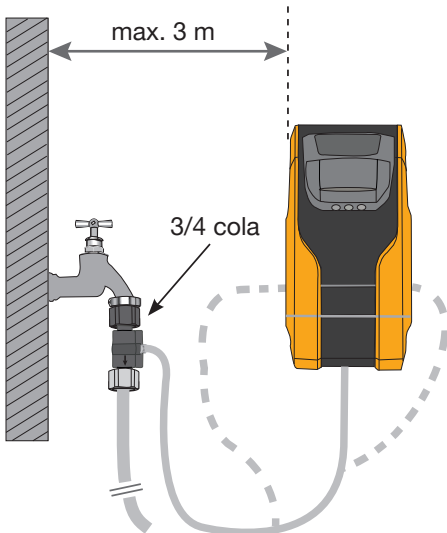
230V



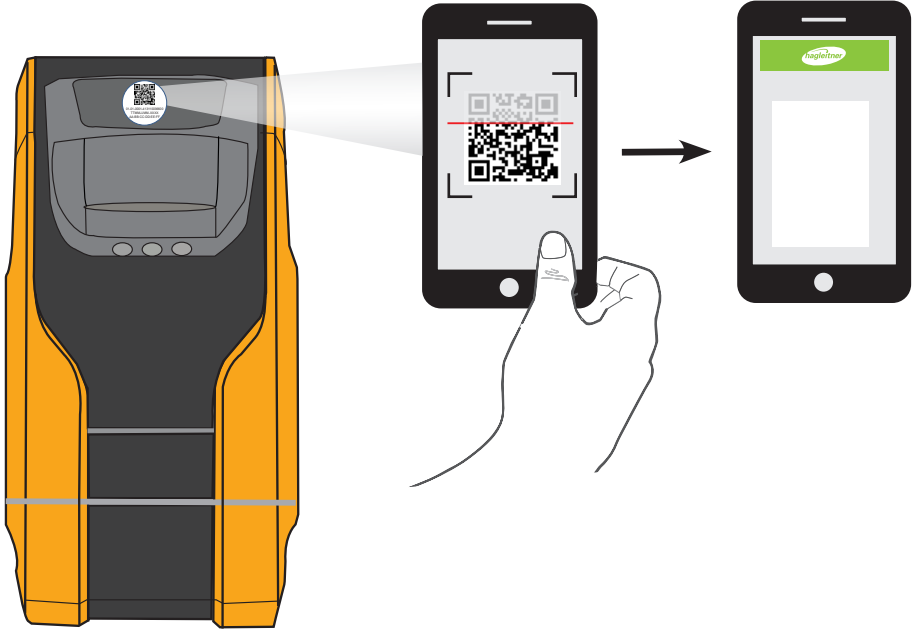
24V



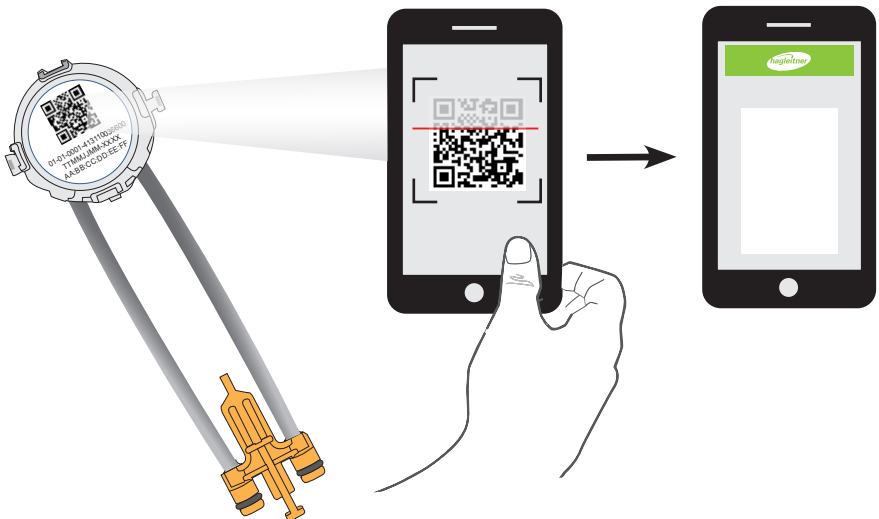
max. 3 m



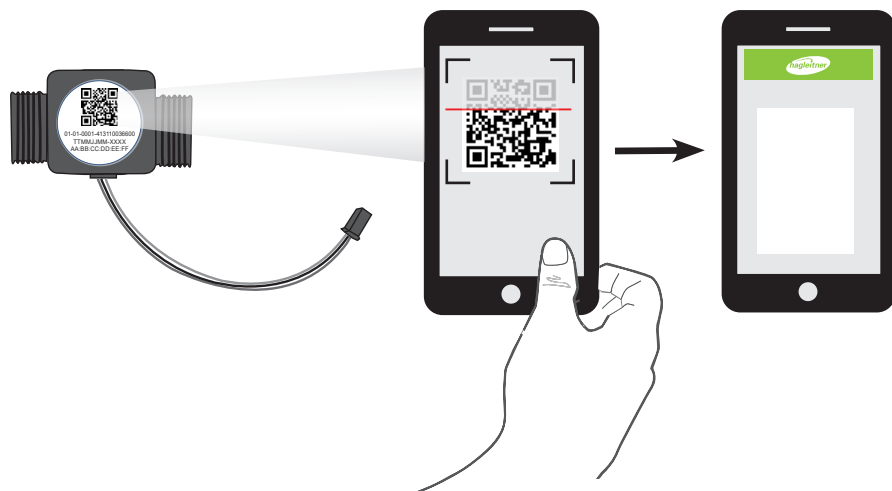
1. skeniranje dozatora / scan dispenser



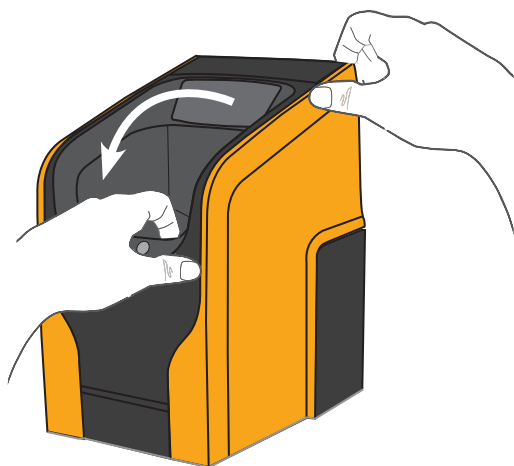
2. skeniranje pumpe / scan pump



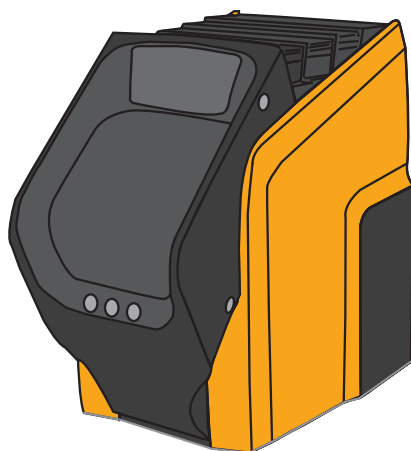
### 3. skeniranje uređaja za protok vode / scan flow meter



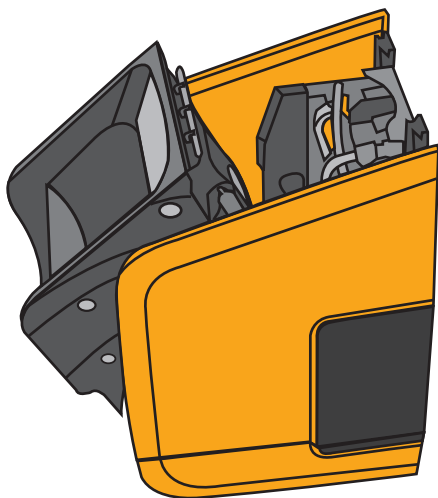
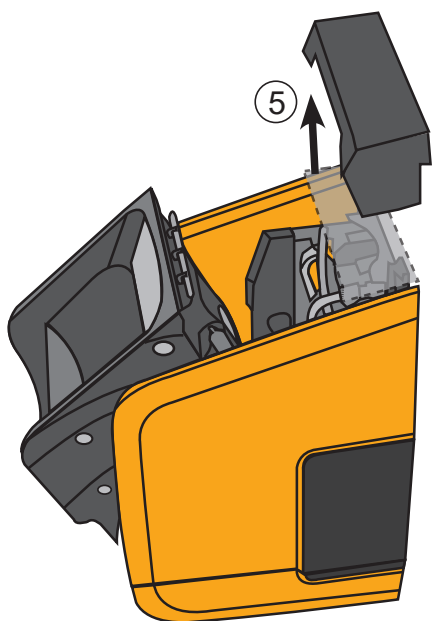
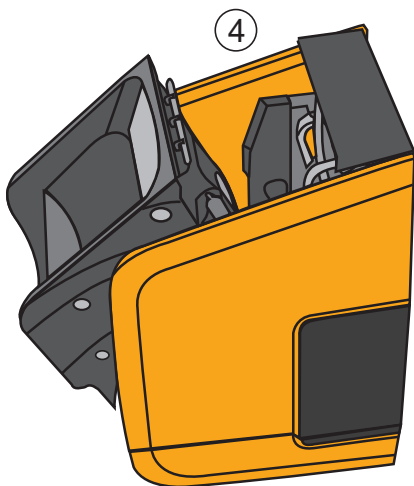
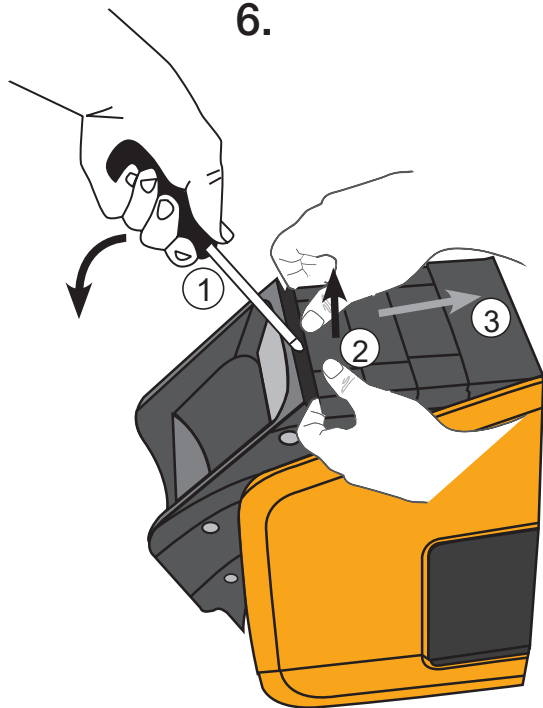
4.

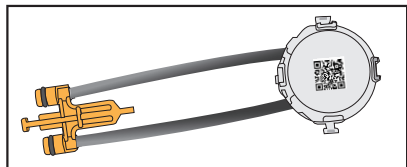


5.

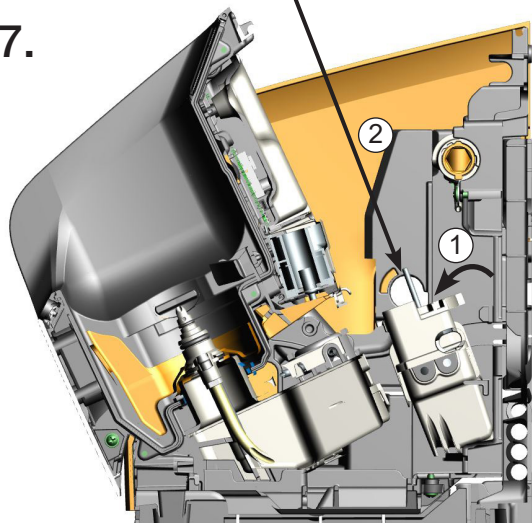


6.

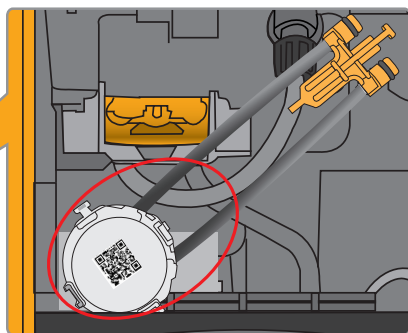
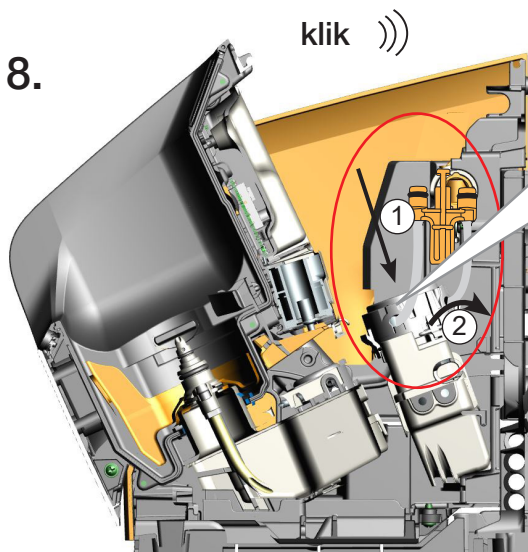




7.

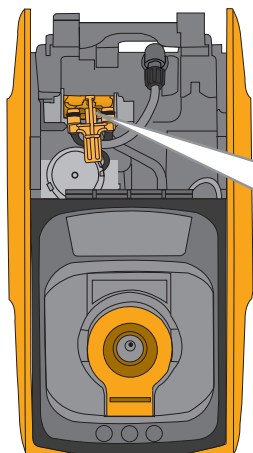


8.



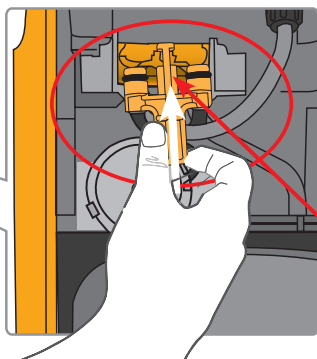


9.

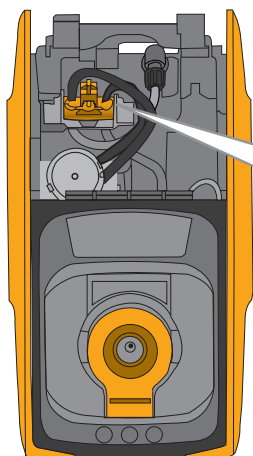
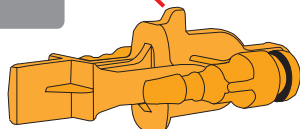


pritisni

①

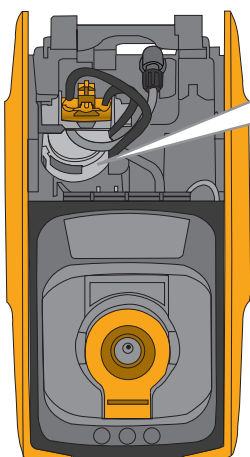
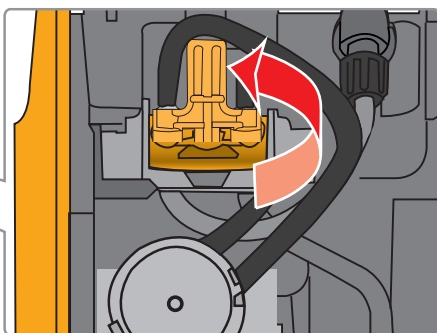


gore /  
upside

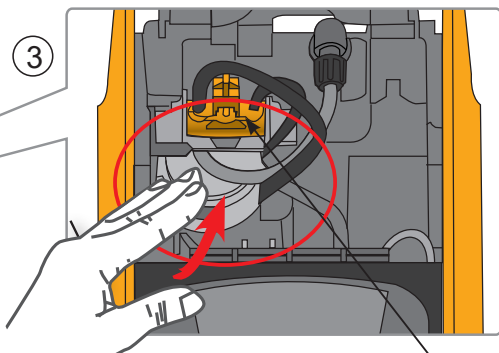


poguraj  
gore

②



③

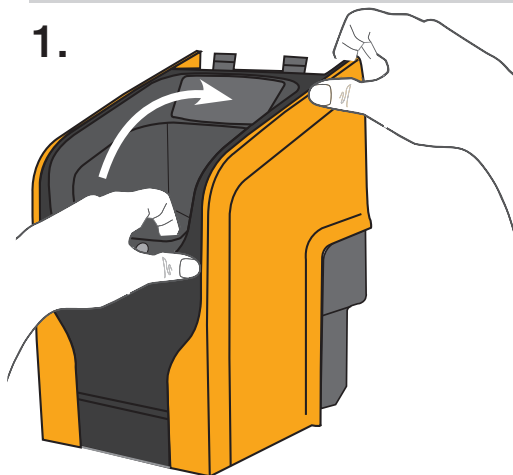


Provjerite da li je kuplung za kemiju  
dobro uklopljen i čvrsto fiksiran!

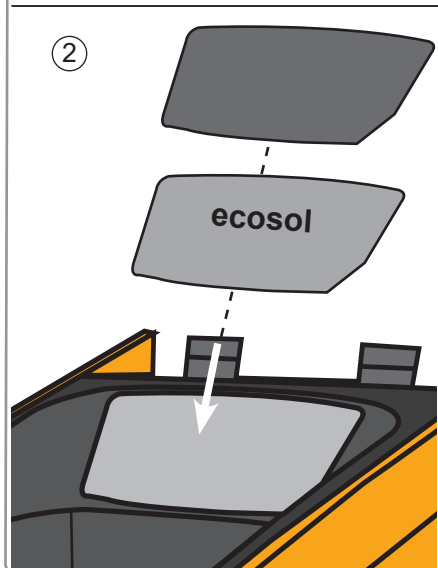
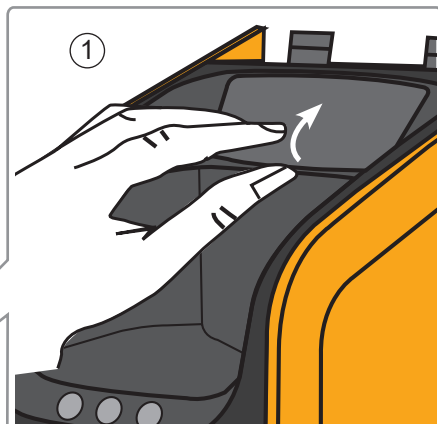
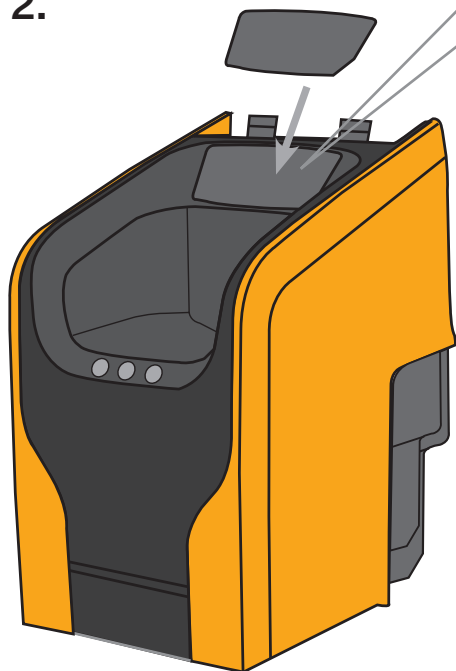
*Make sure that the chemistry coupling is cor-  
rectly locked and fixed.*

postaviti poklopac sa oznakom / insert label

1.

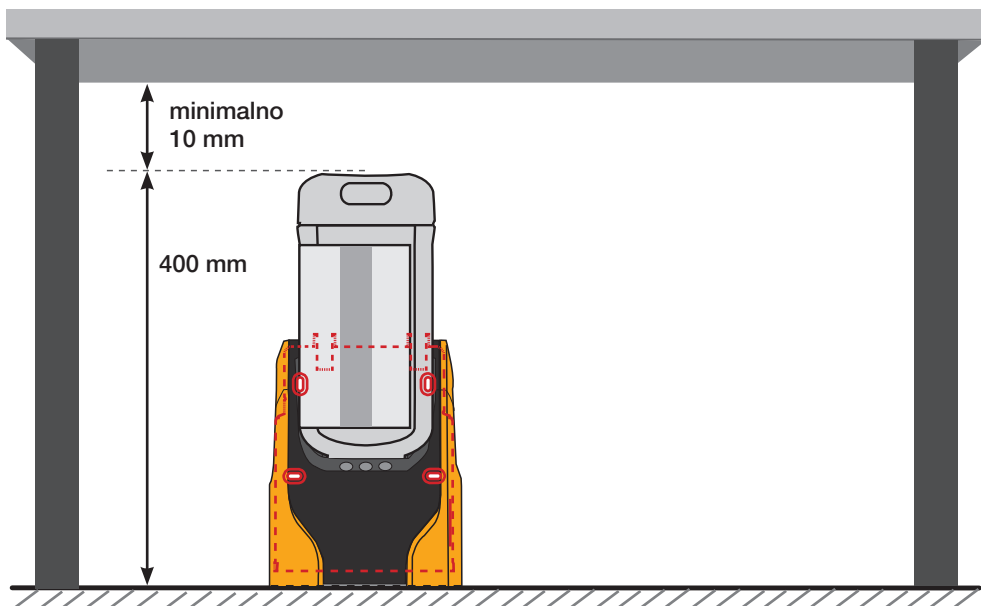


2.

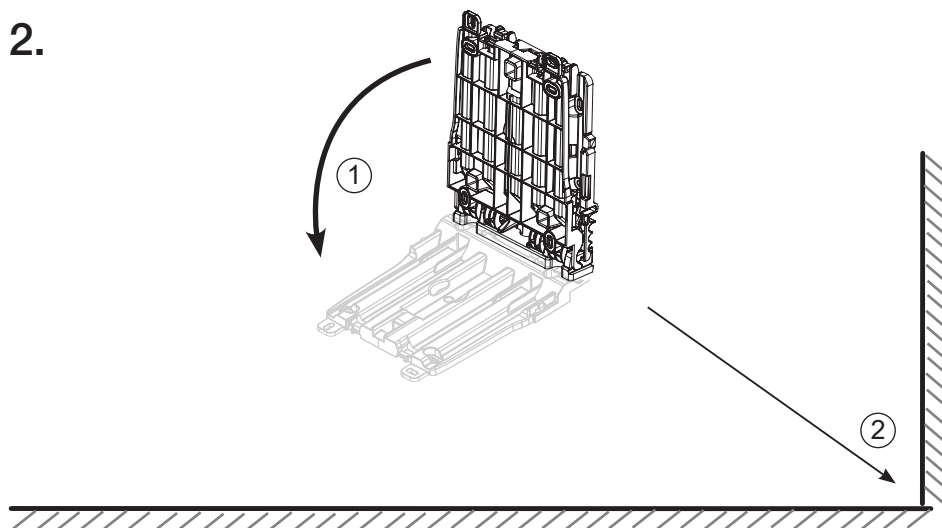


3. slijedite aplikaciju / follow the APP

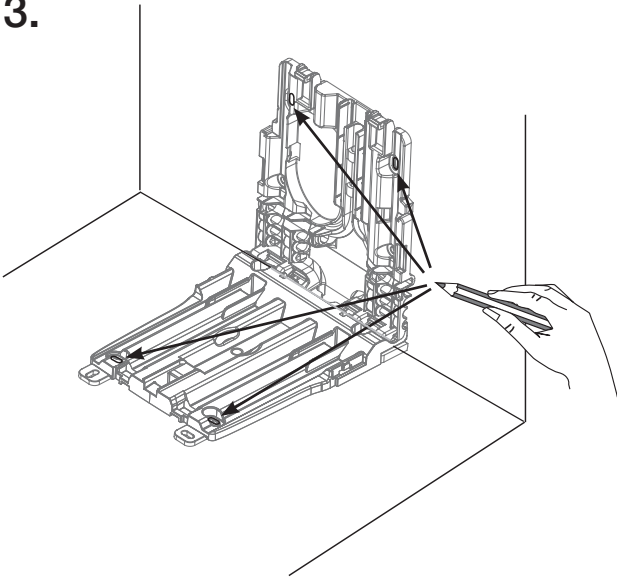
1.



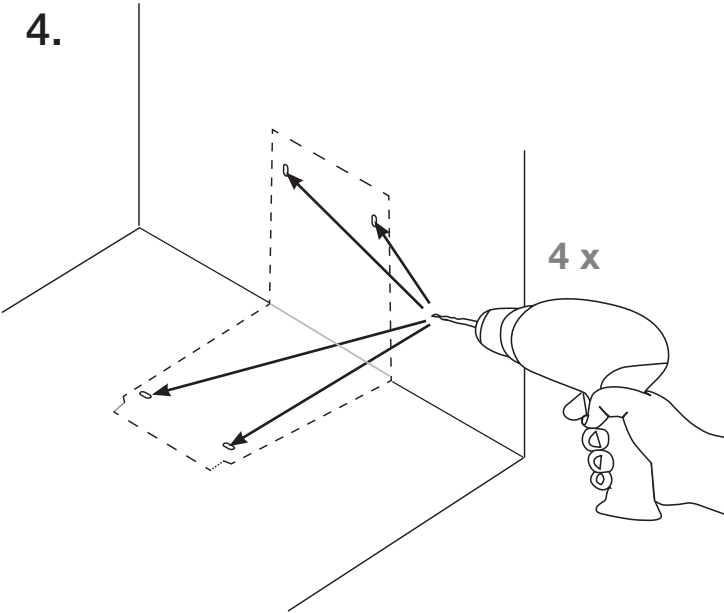
2.



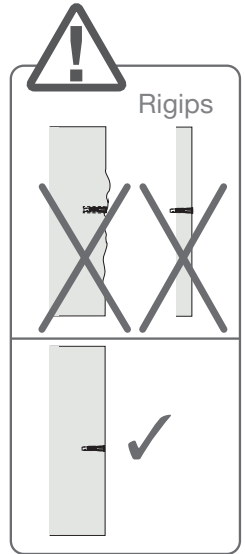
3.




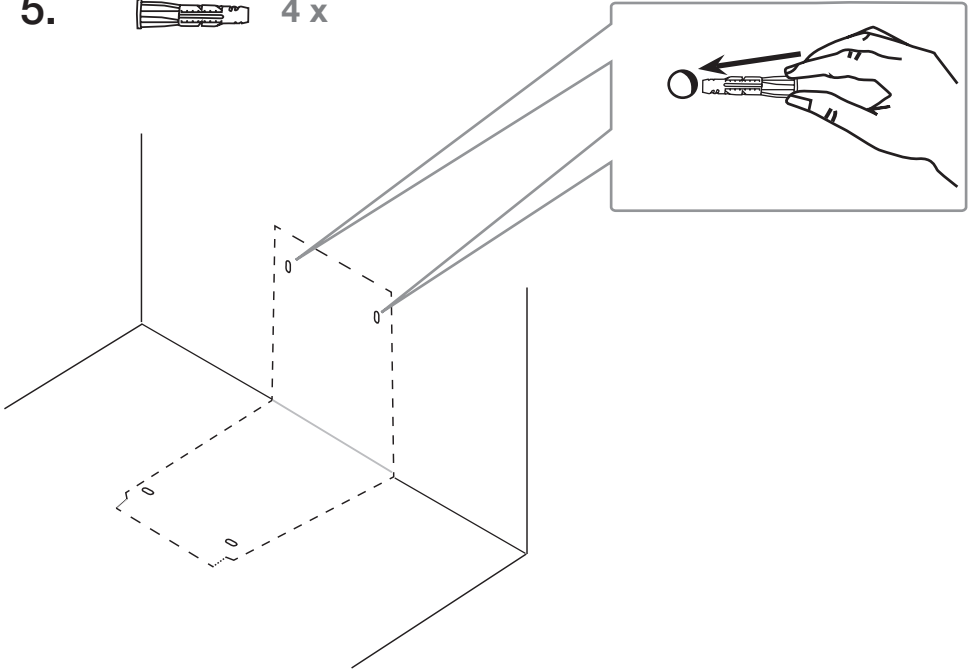
4.



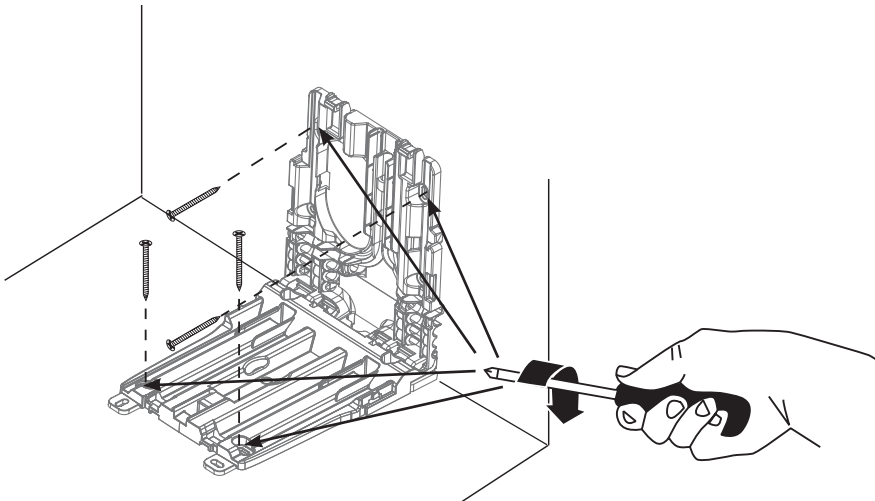
4 x



5.  4 x



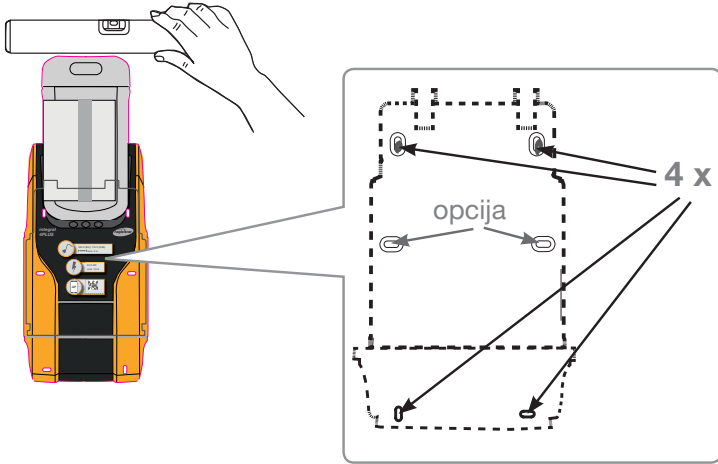
6.  4 x



# montaža na zid pojedinačnog dozatora / wall installation individual dispenser

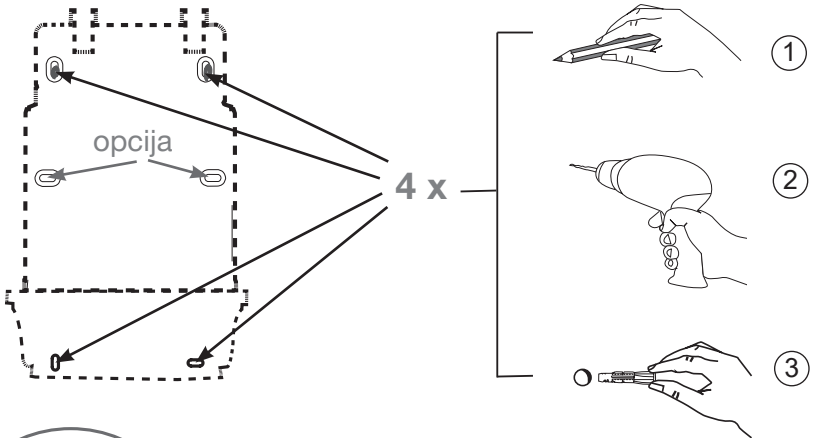
1.

naljepnica /  
template

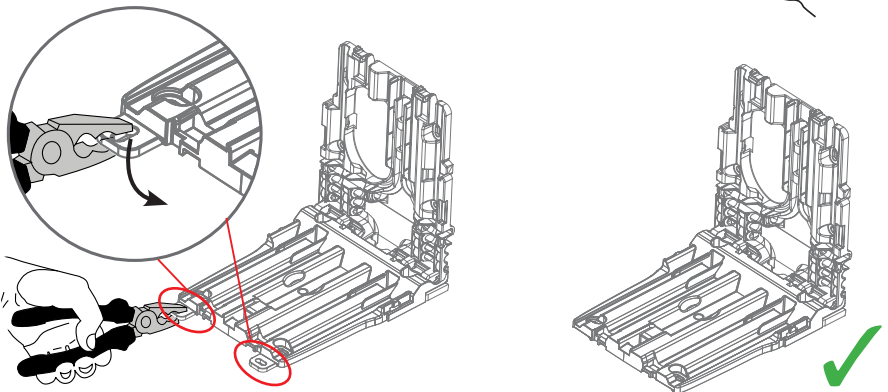


2.

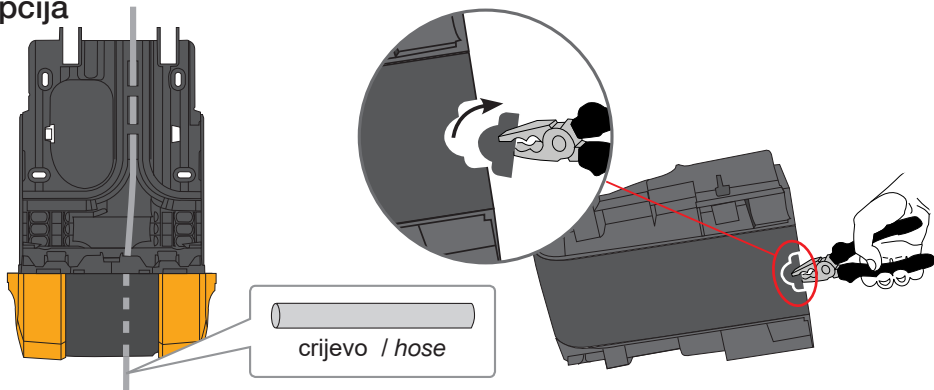
4 x



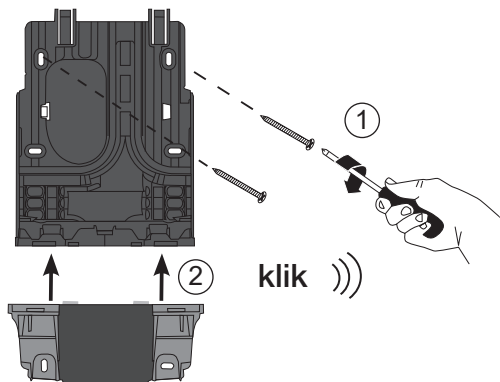
3.



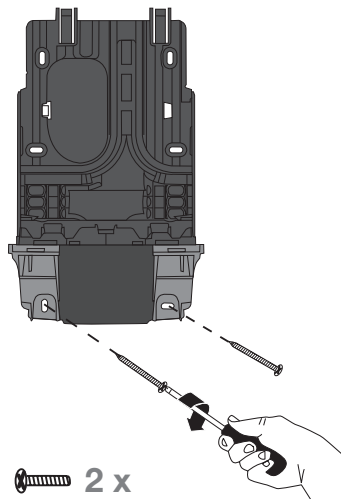
opcija



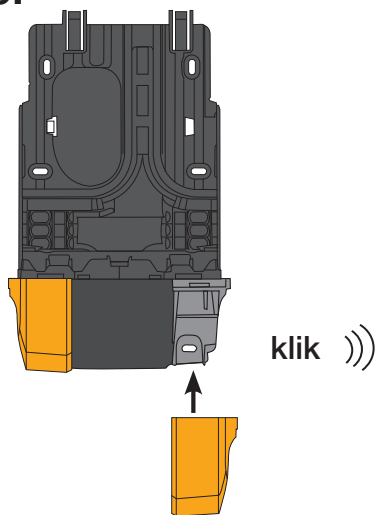
4.  2 x



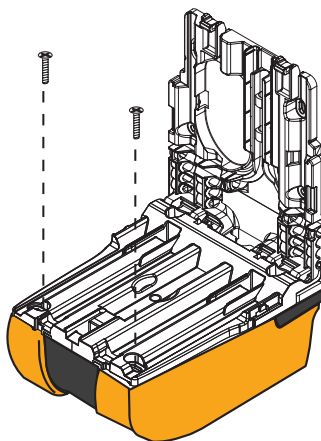
5.  2 x



6.



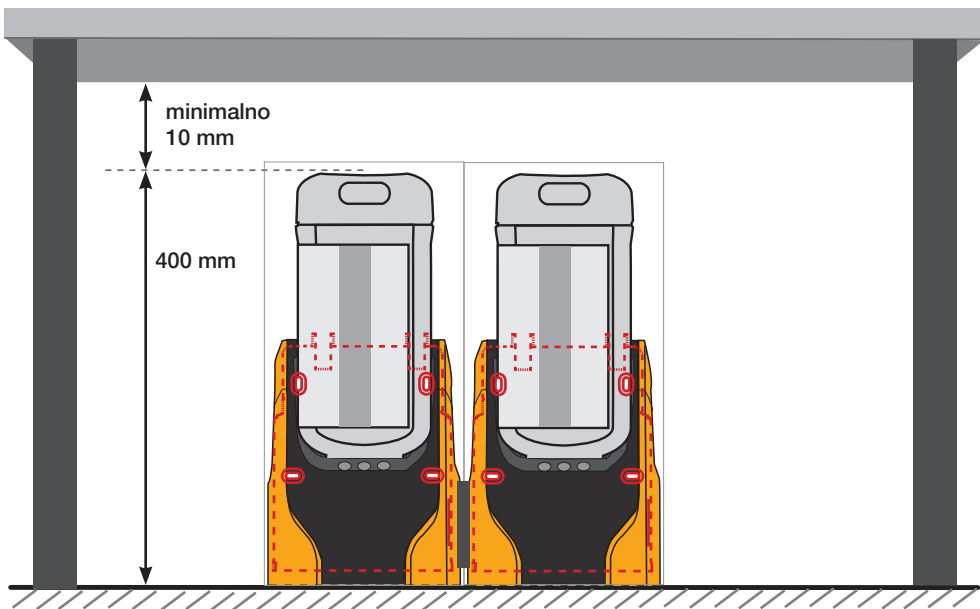
7.  2 x



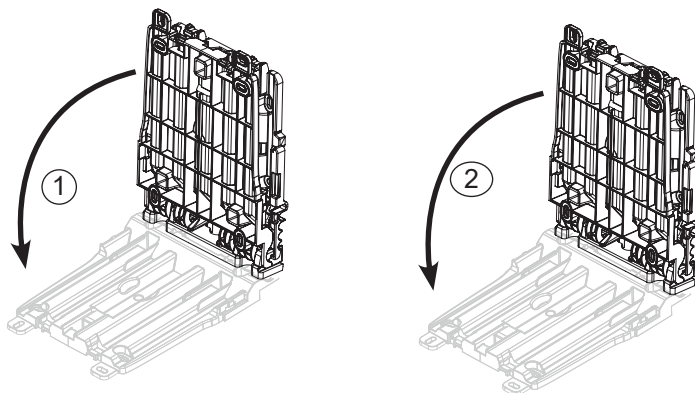
## montaža u nizu / Row installation

### montaža u nizu ispod stola / row installation under table

1.

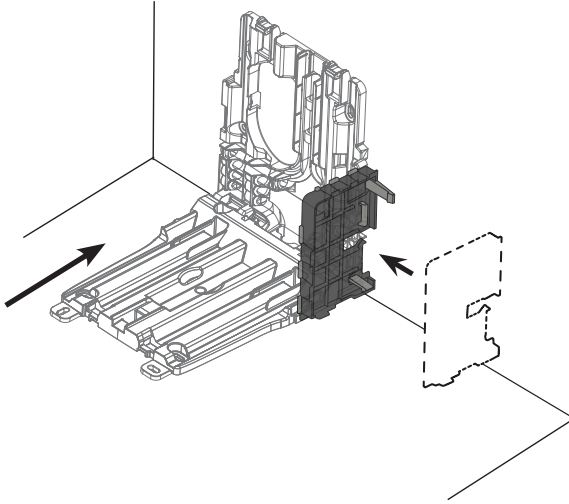


2.

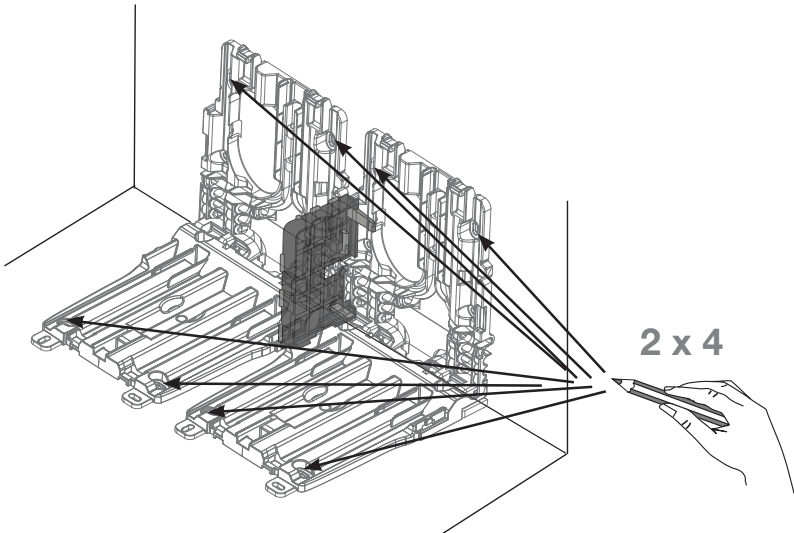




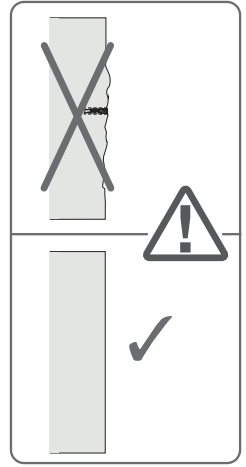
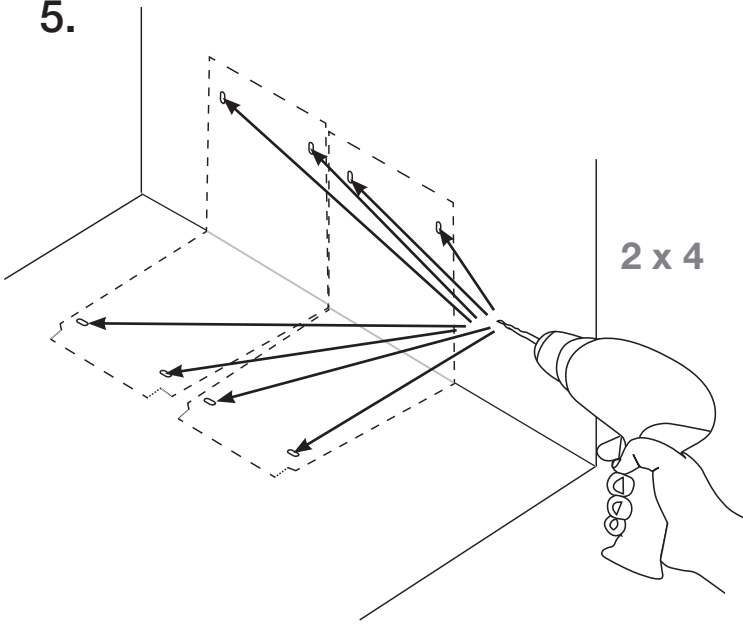
3.



4.



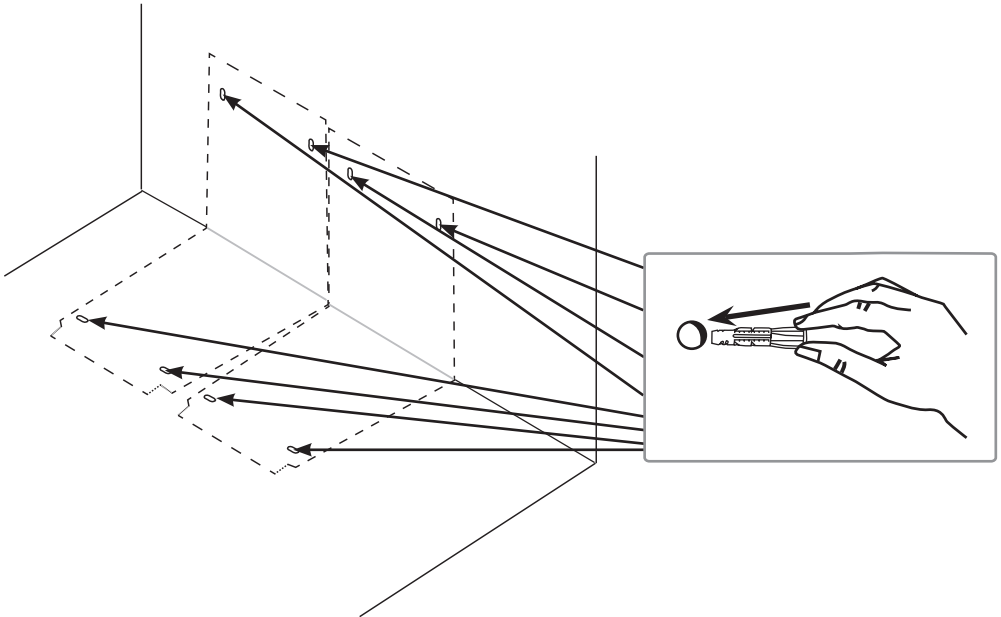
5.



6.



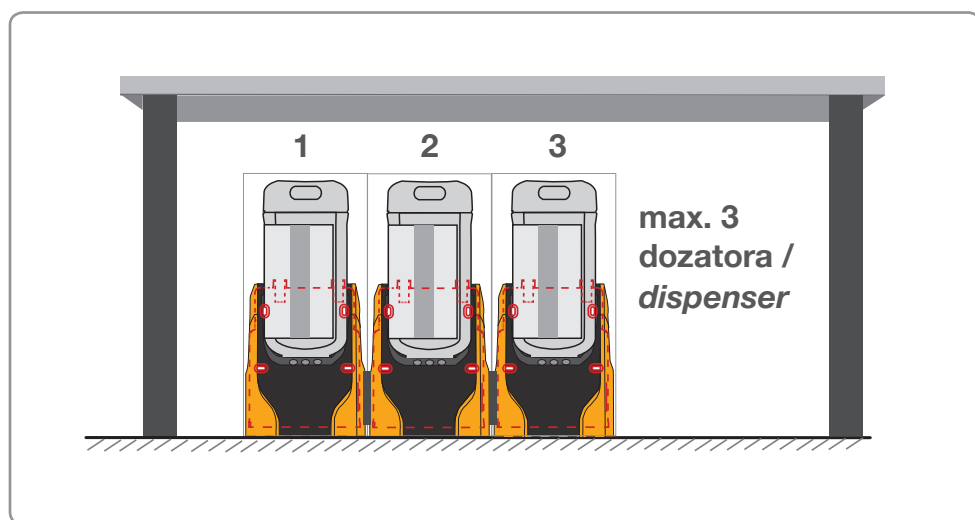
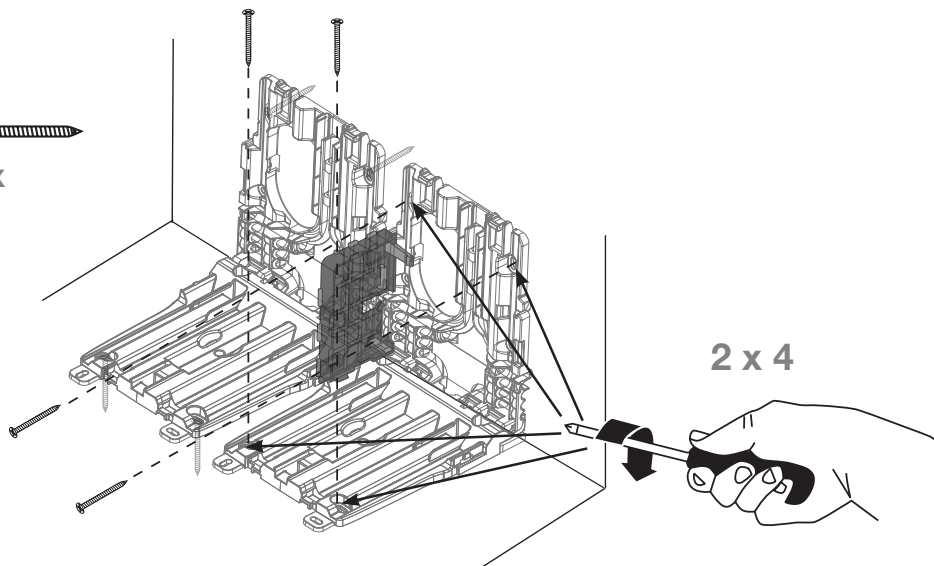
8 x



7.

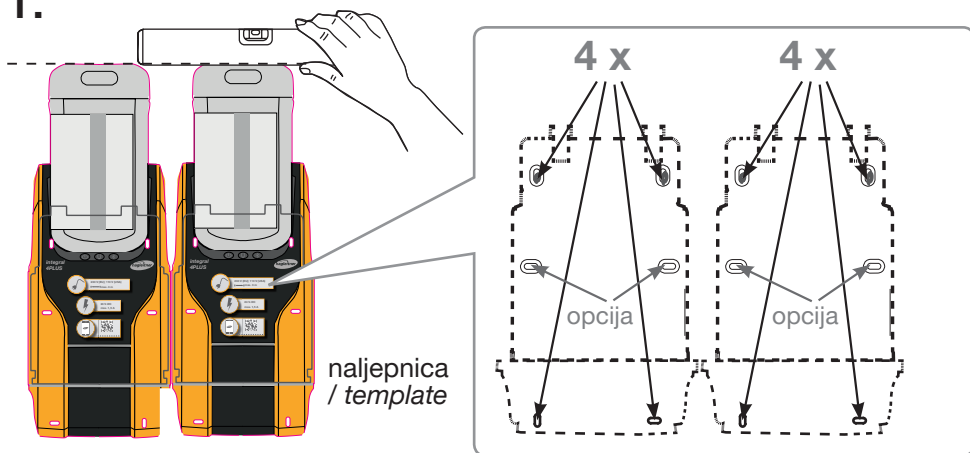


8 x



# montaža na zid u nizu / row installation wall

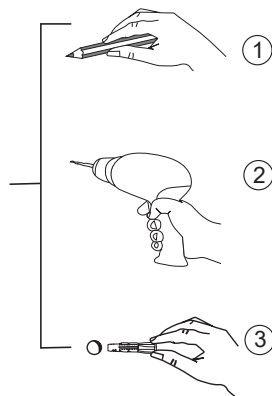
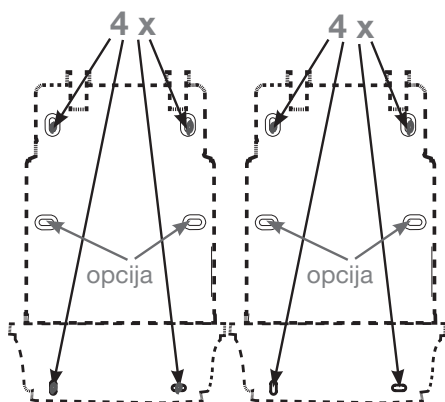
1.



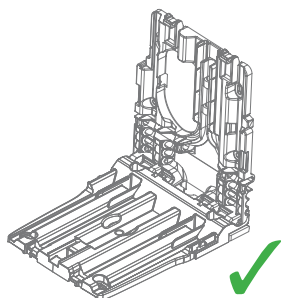
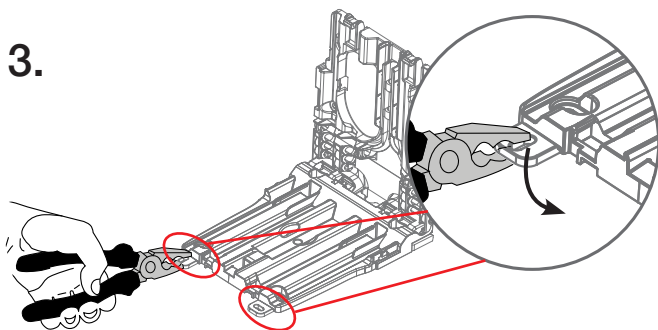
2.



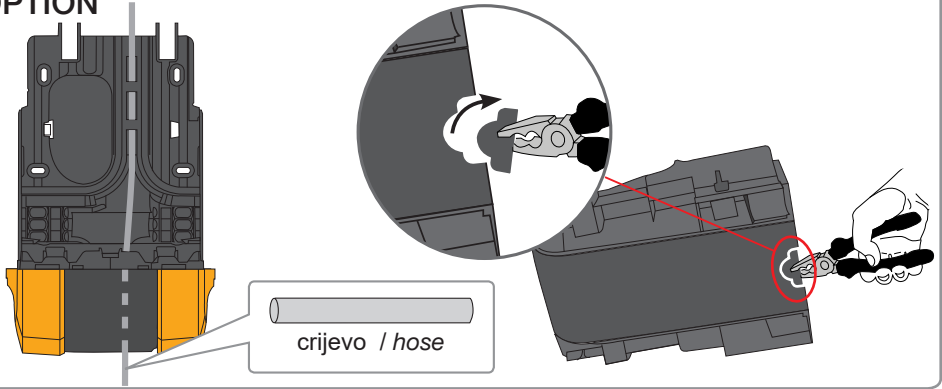
8 x



3.

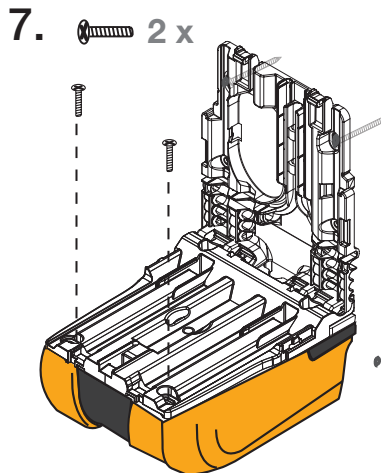
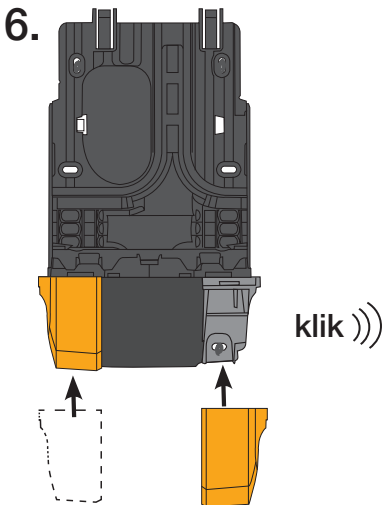
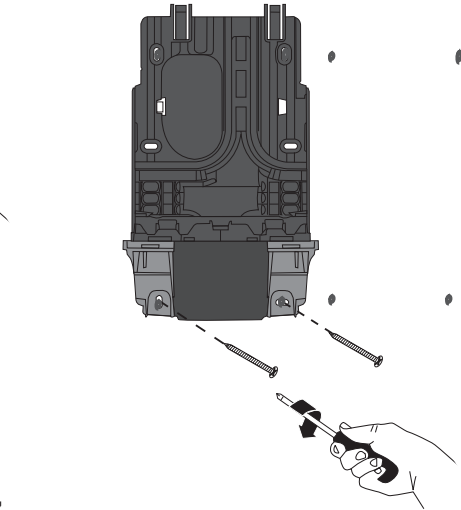
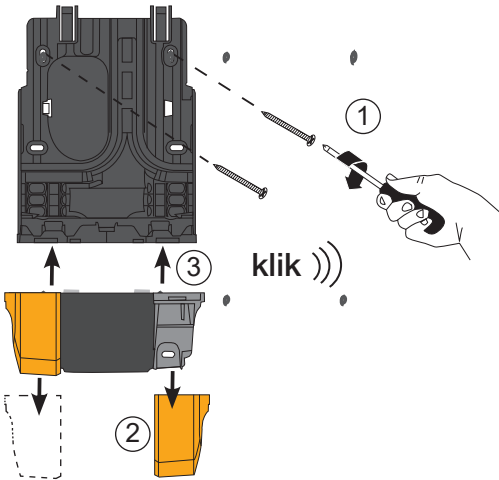


OPTION

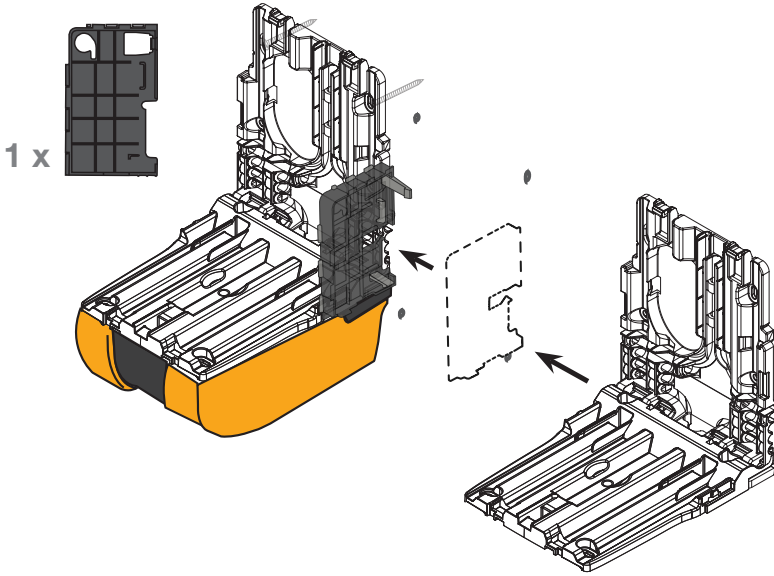


4. 2 x  2 x 

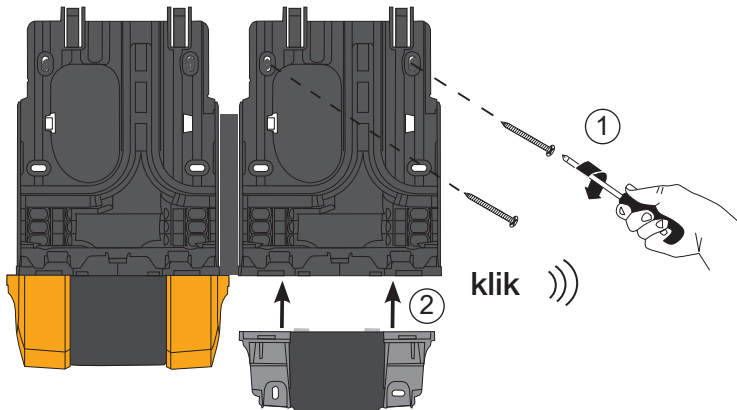
5.  2 x



8.

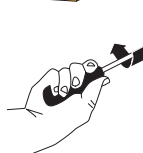
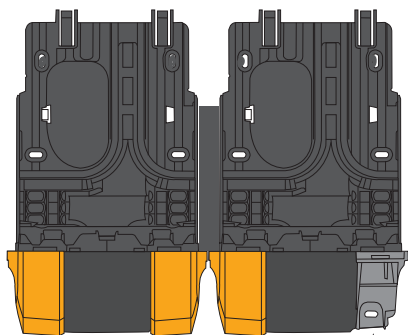
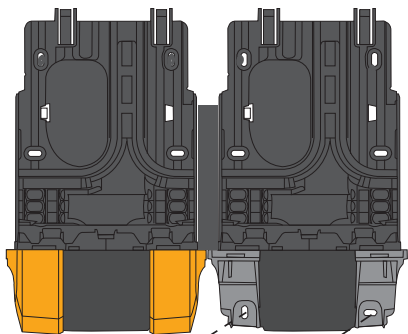


9.



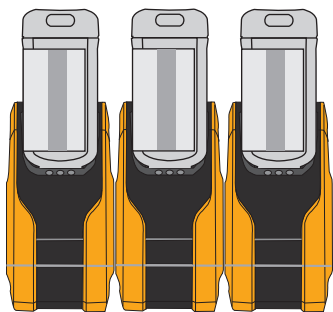
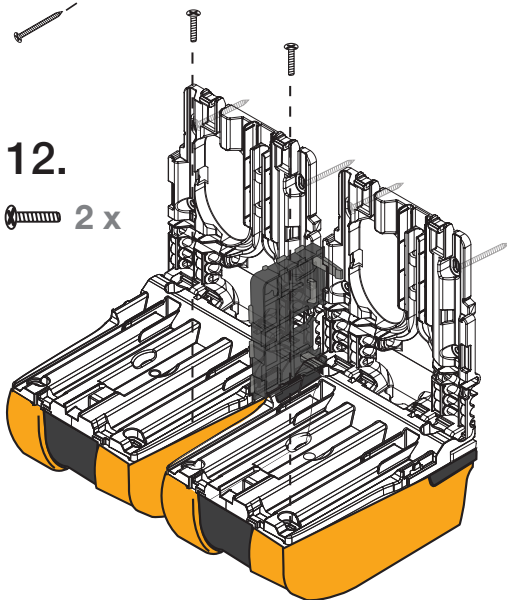
10.  2 x

11.

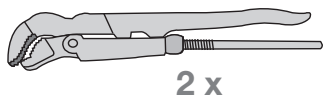
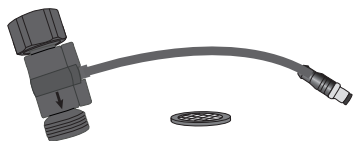


12.

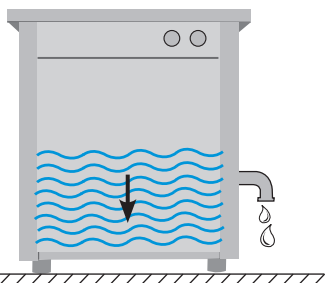
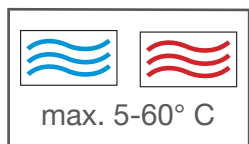
 2 x



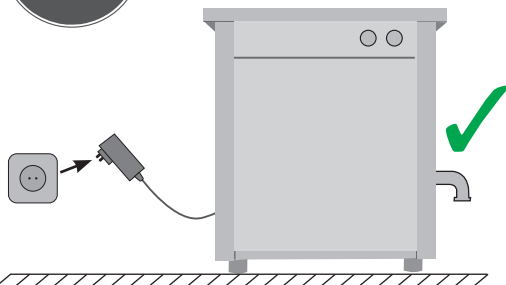
max. 3  
dozatora /  
dispenser



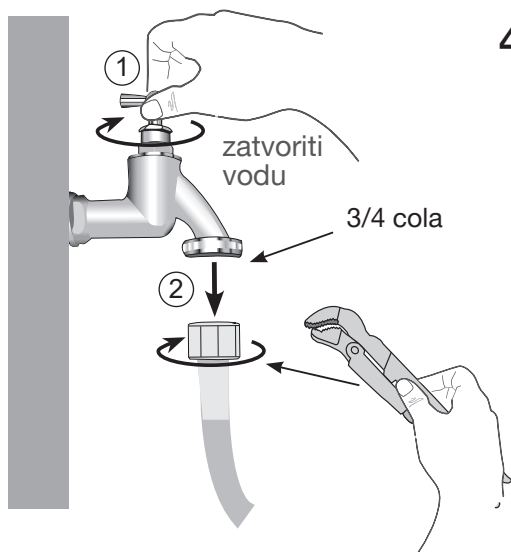
1.



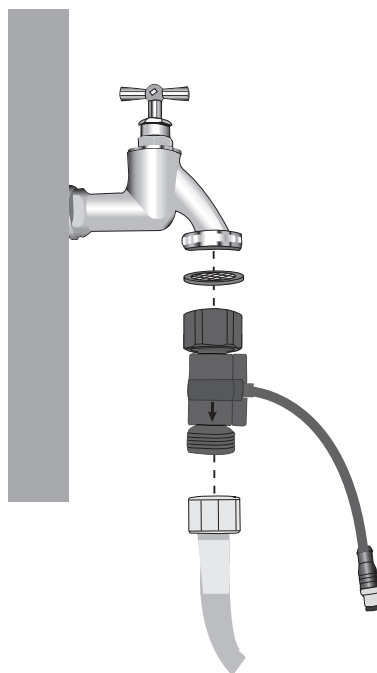
2.



3.



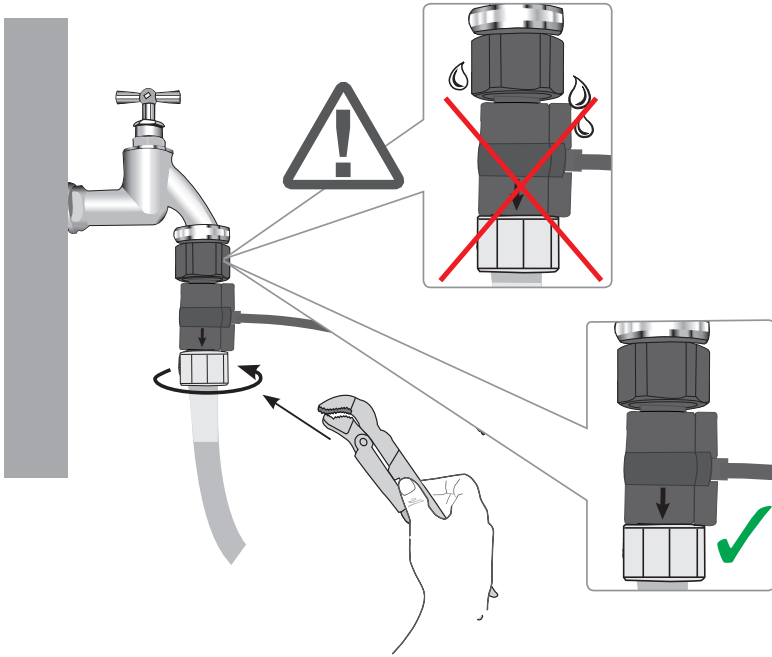
4.



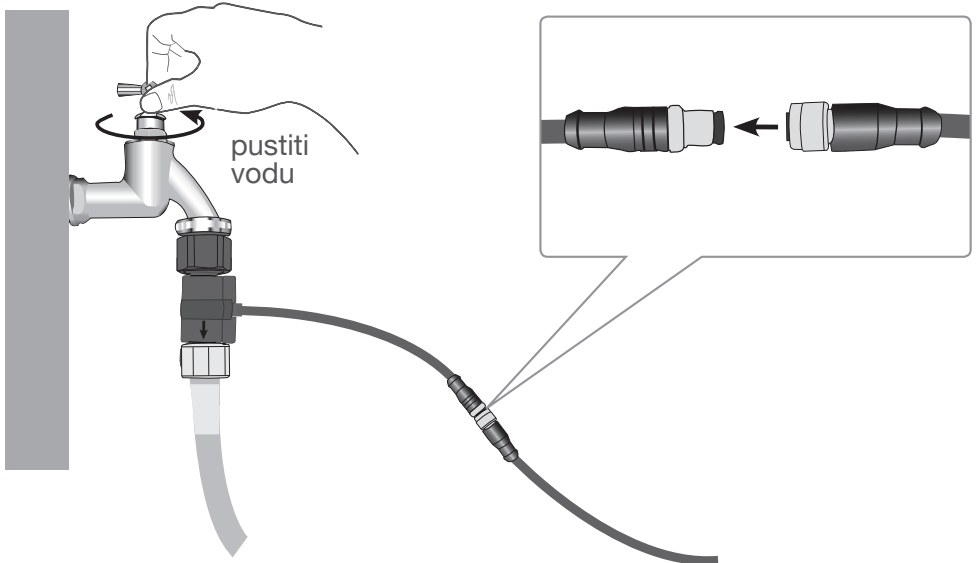
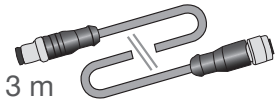
priključak vode na perilici /  
water supply dish washer



5.

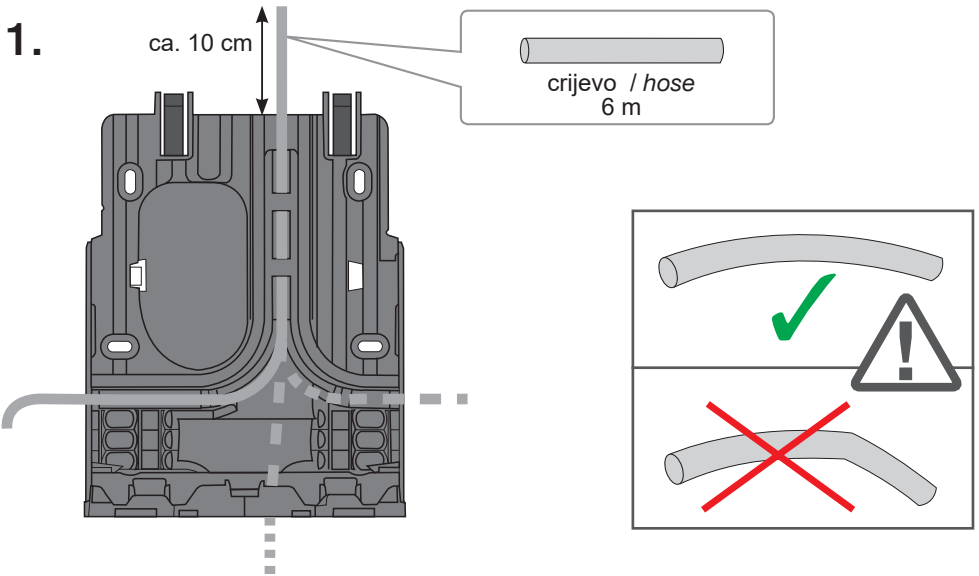


6.

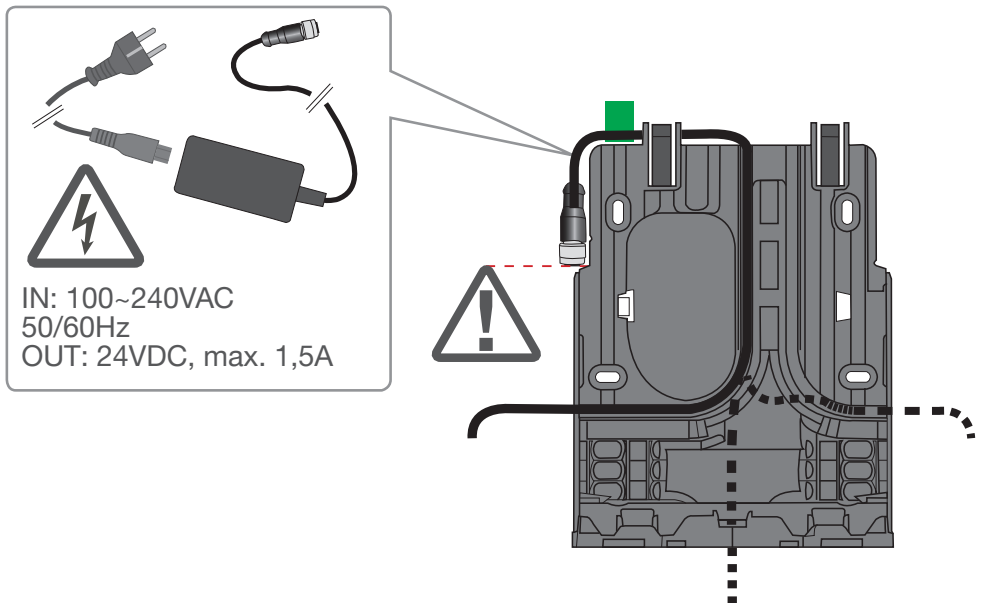


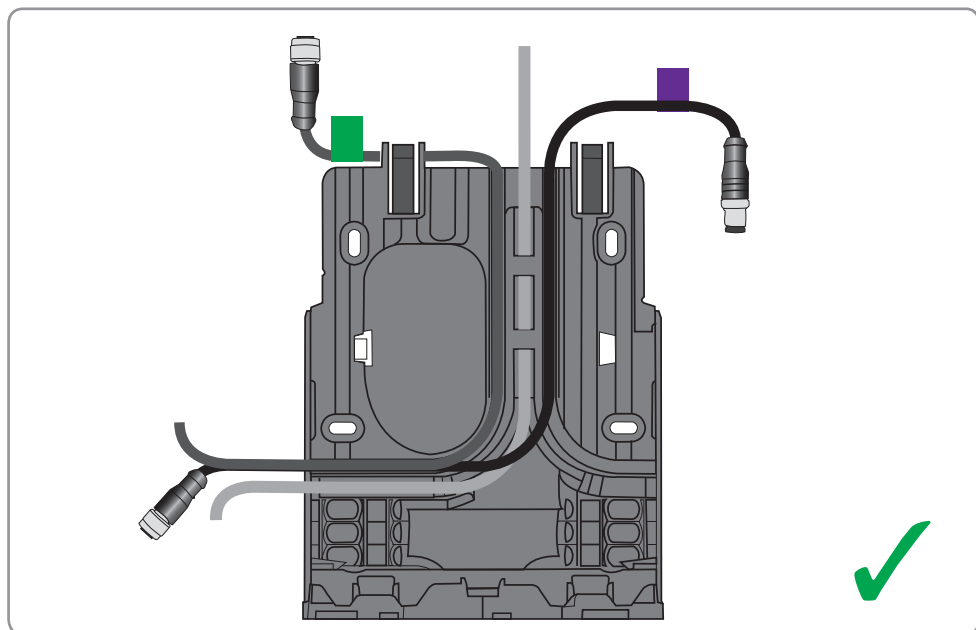
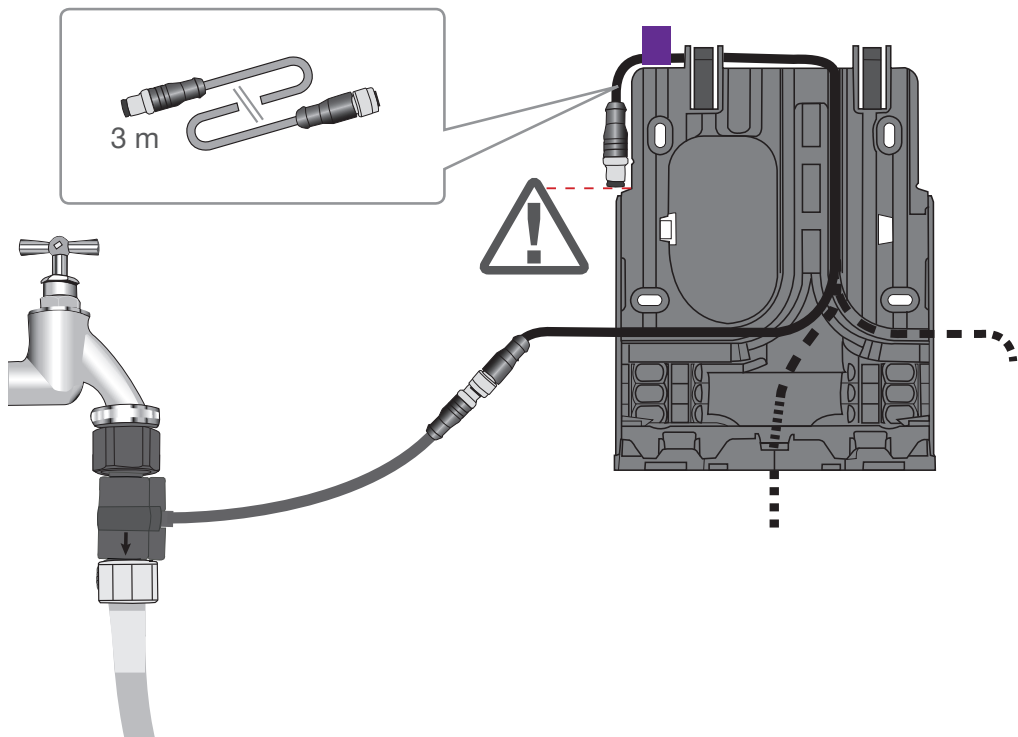
# postavljanje crijeva i kablova pojedinačni dozator / hose and cable installation individual dispenser

## postavljanje crijeva / hose installation

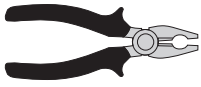


## postavljanje kablova / cable installation





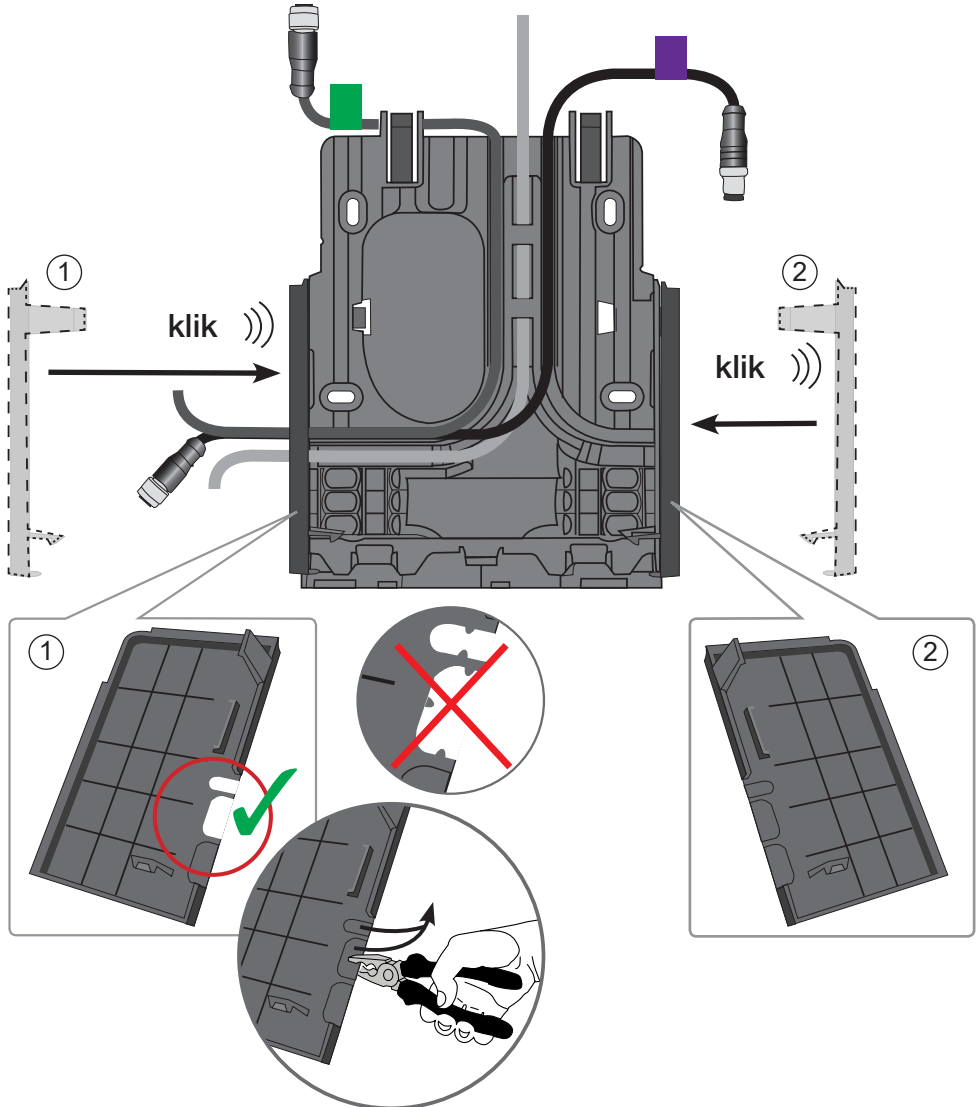
## postavljanje bočnih dijelova / side part mounting



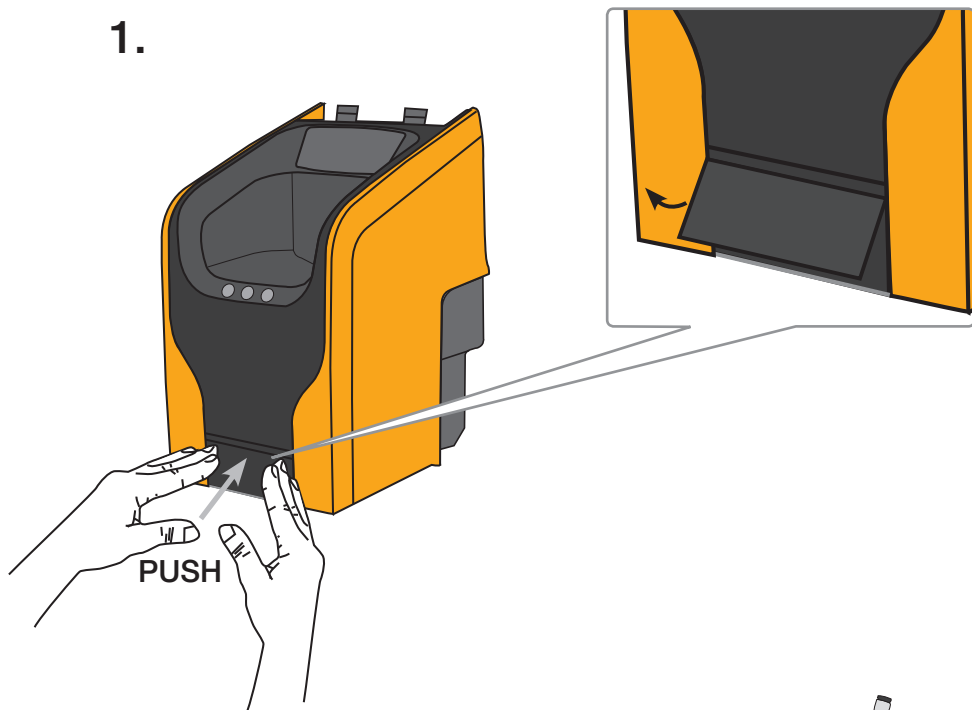
lijevo  
left



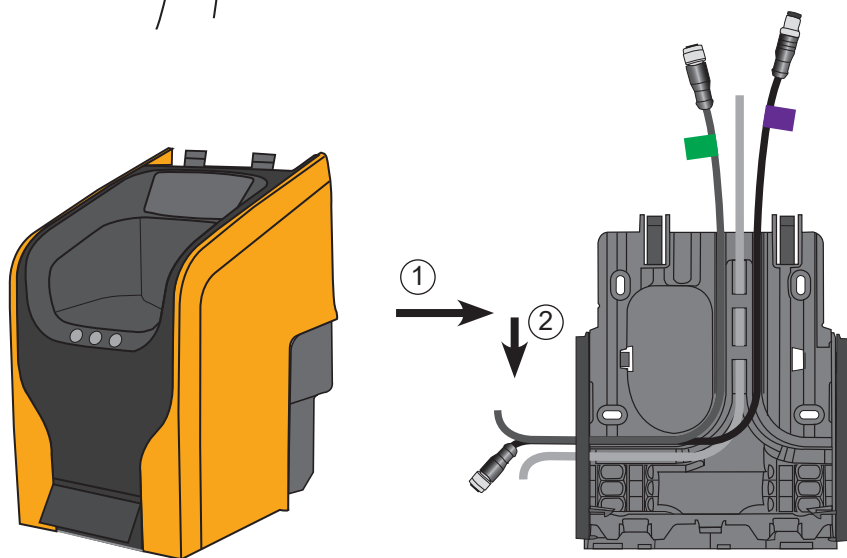
desno  
right



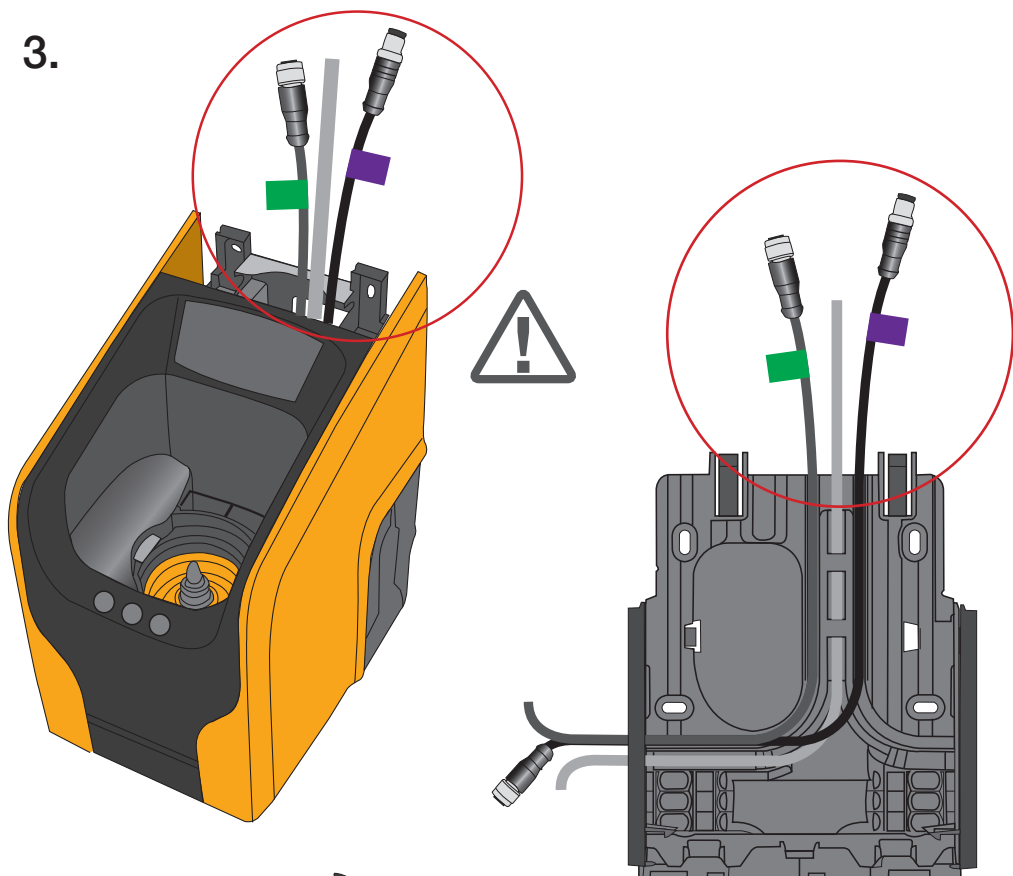
1.



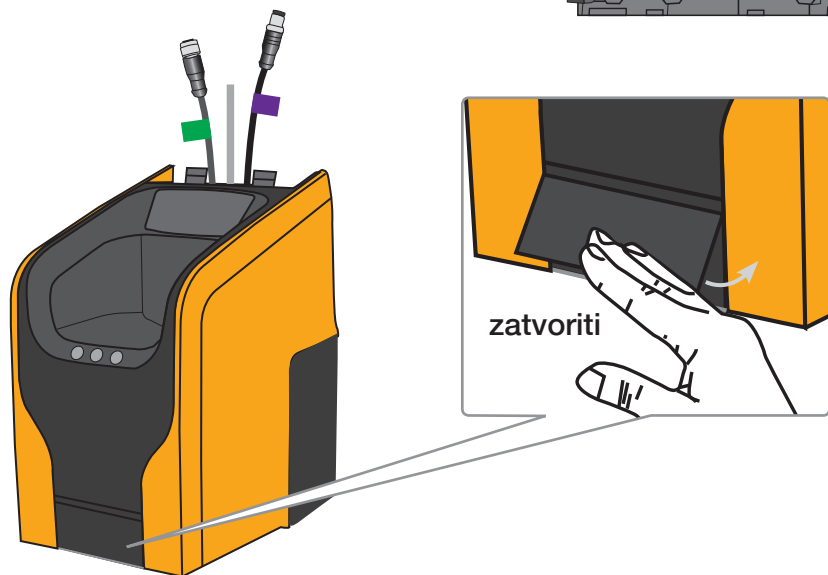
2.



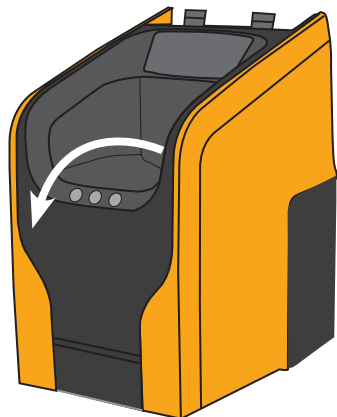
3.



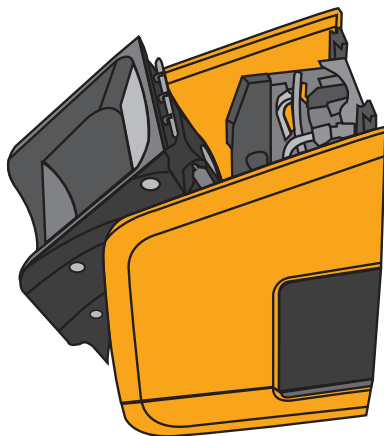
4.



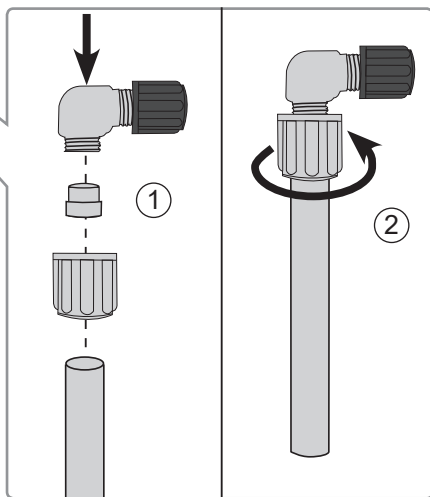
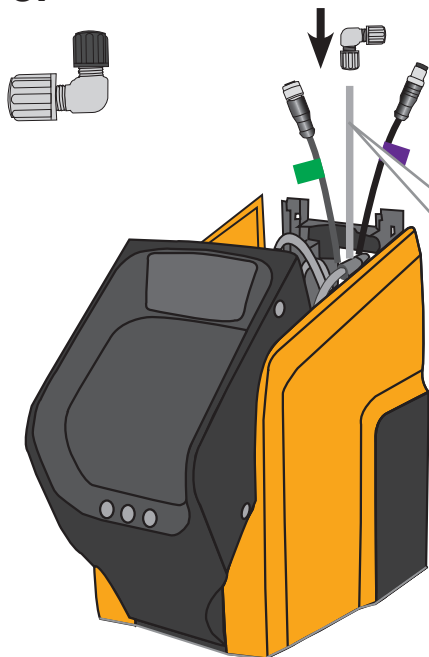
1.



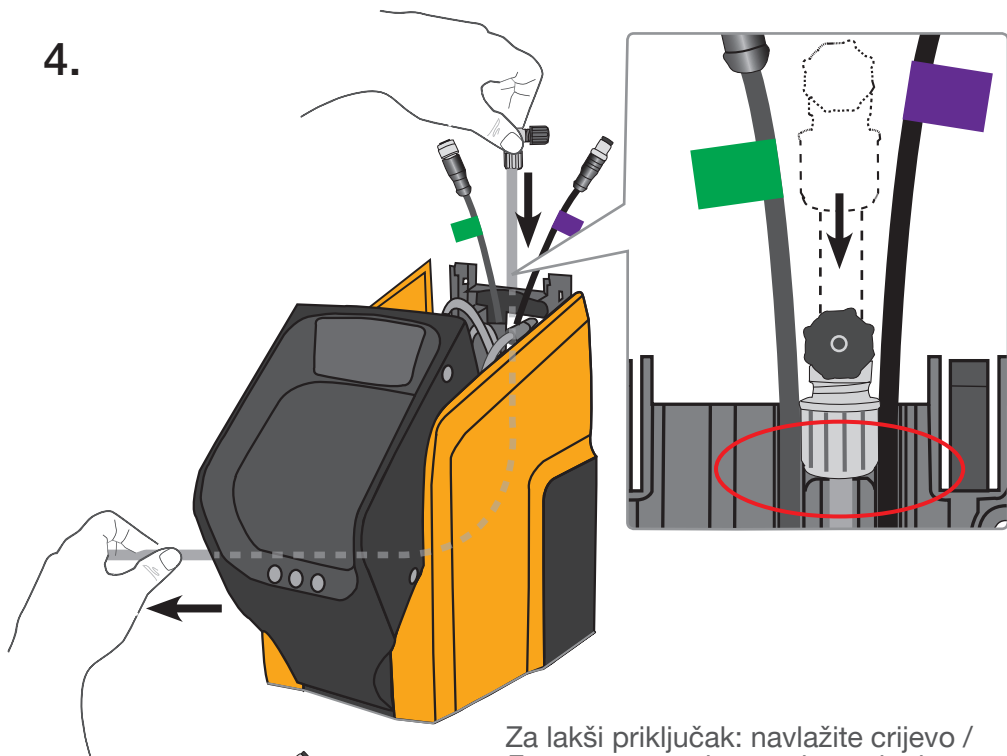
2.



3.

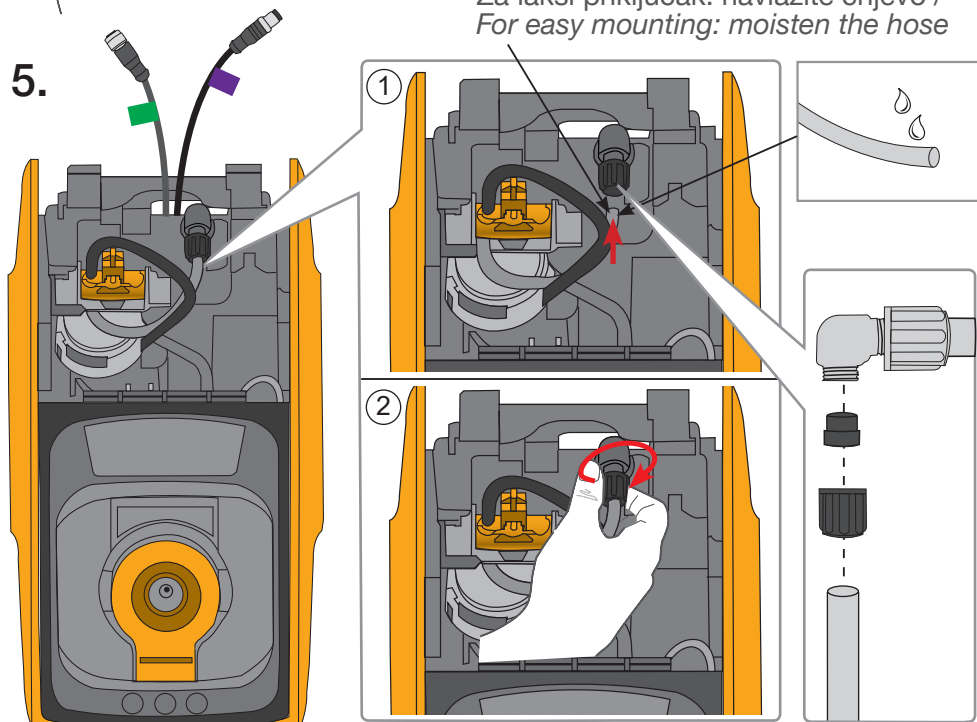


4.



Za lakši priključak: navlažite crijevo /  
For easy mounting: moisten the hose

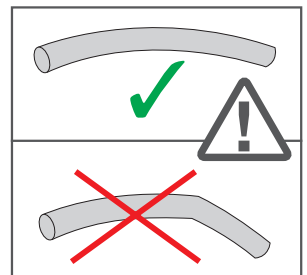
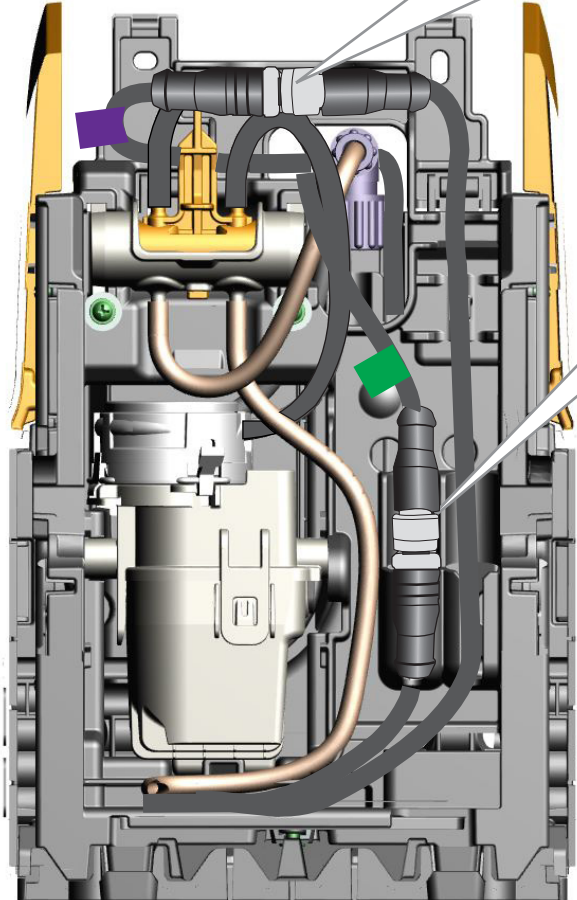
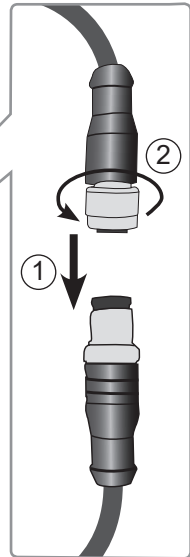
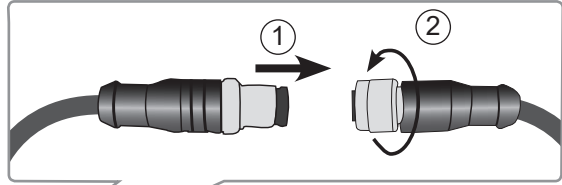
5.



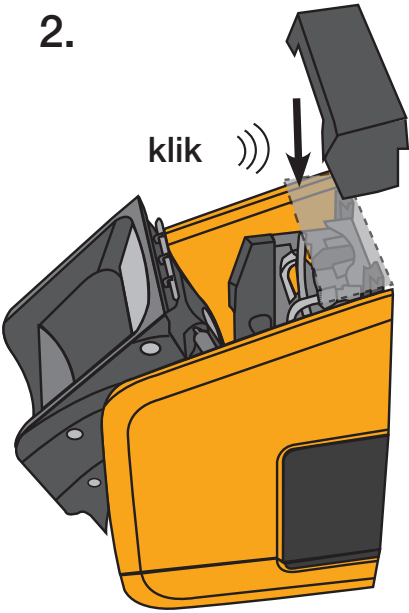


## Kabel spojiti / connecting cable

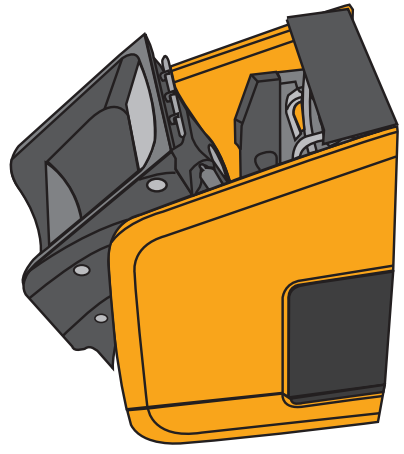
1.



2.



3.

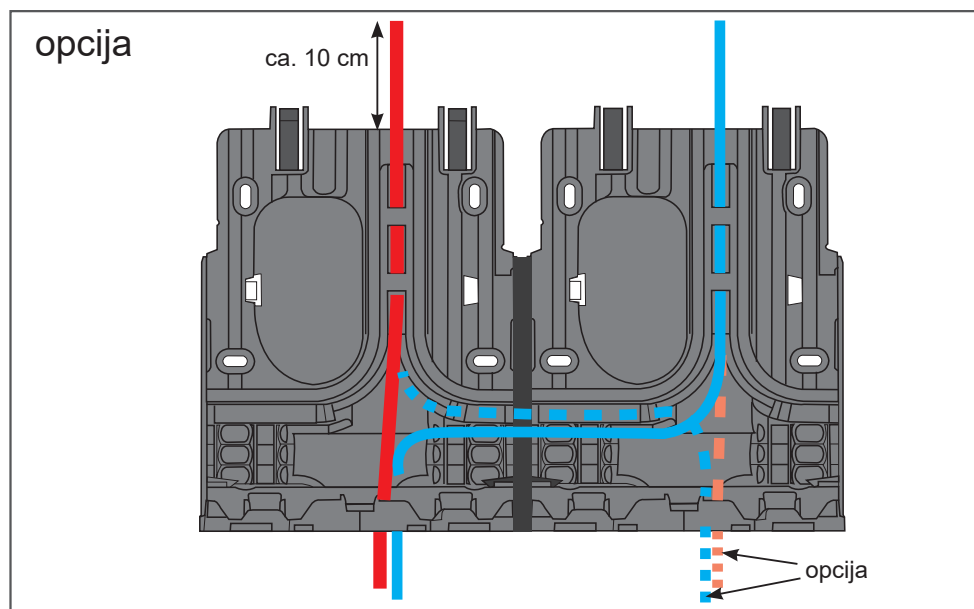
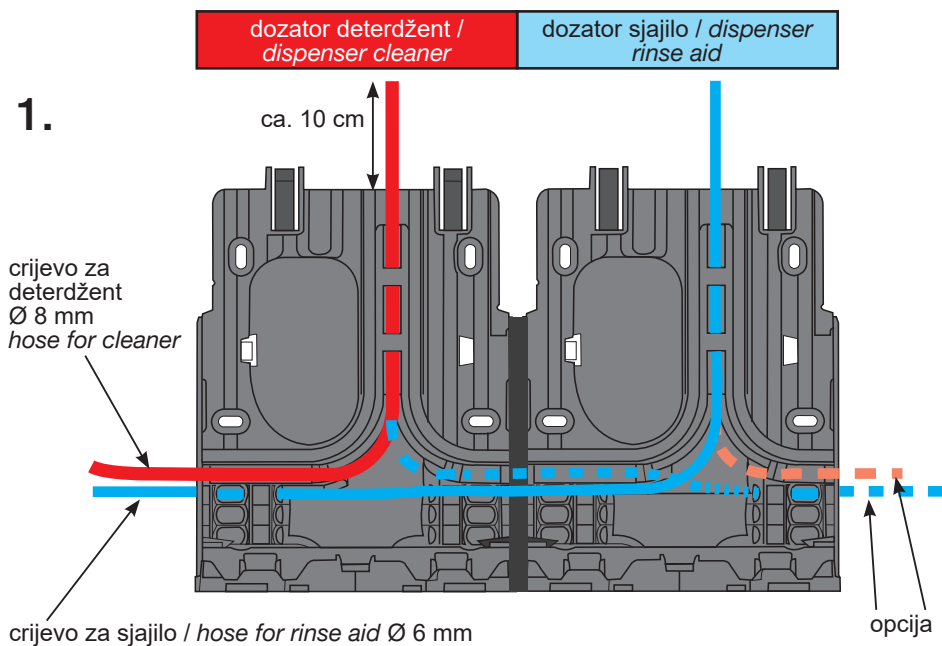


4.

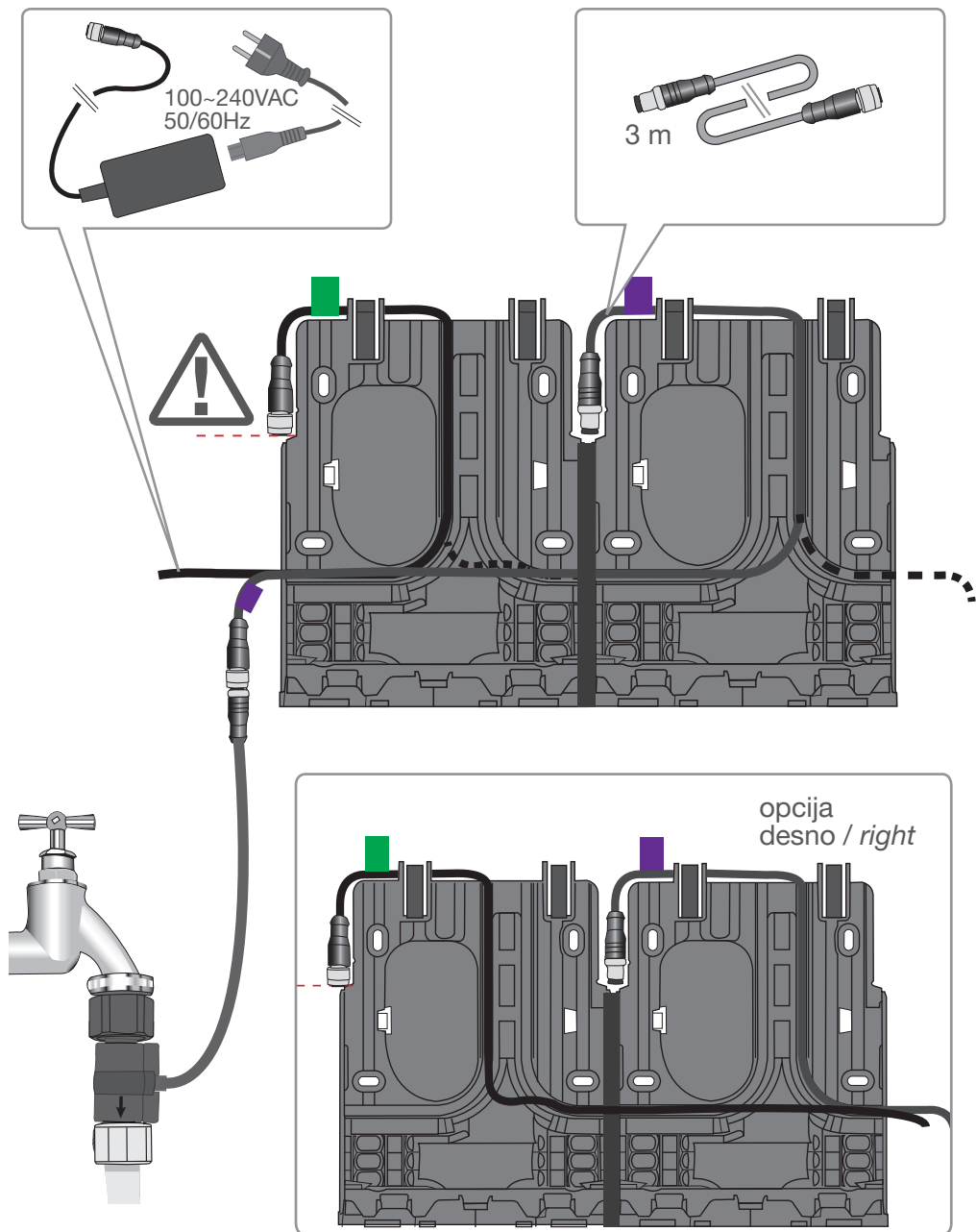


# postavljanje crijeva i kablova kod montaže u nizu / hose and cable installation row installation

## postavljanje crijeva / hose installation



## postavljanje kablova / cable installation



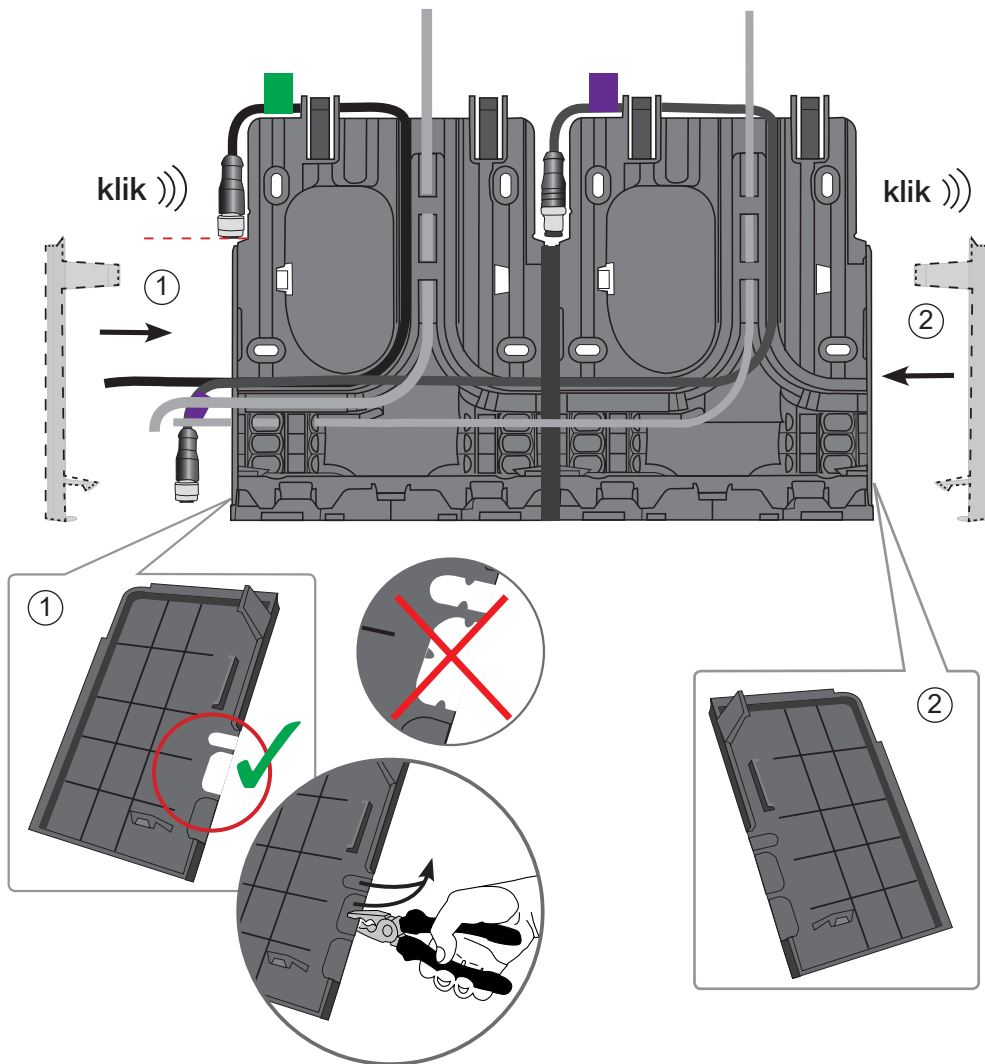
## postavljanje bočnih dijelova / side part mounting



lijevo  
left

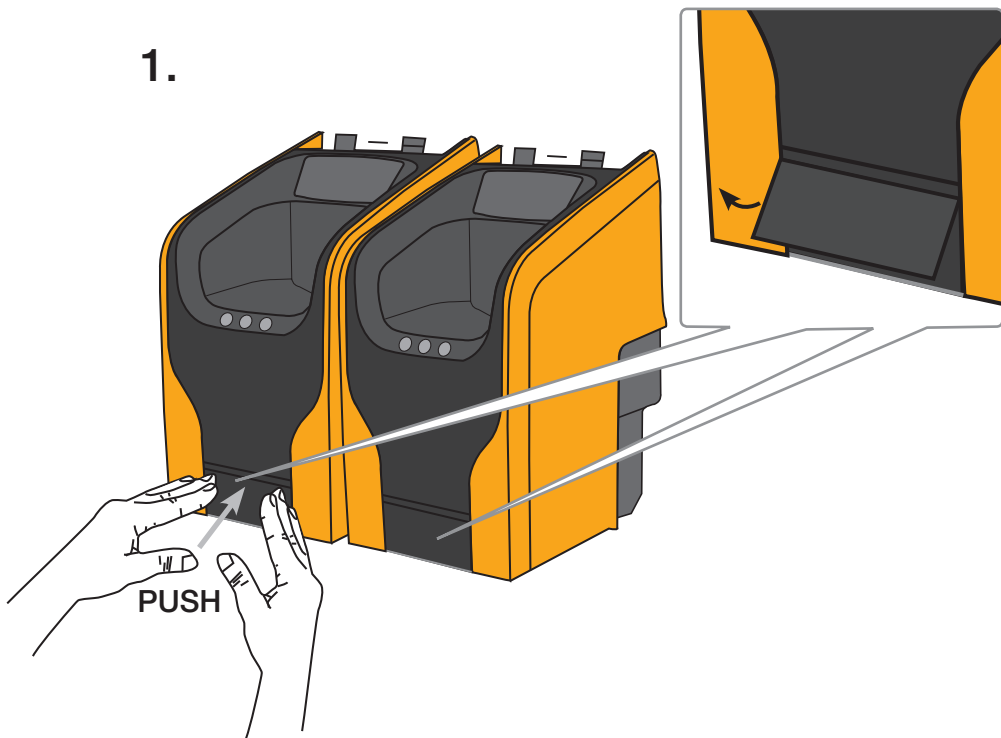


desno  
right



## postavljanje dozatora / dispenser mounting

1.

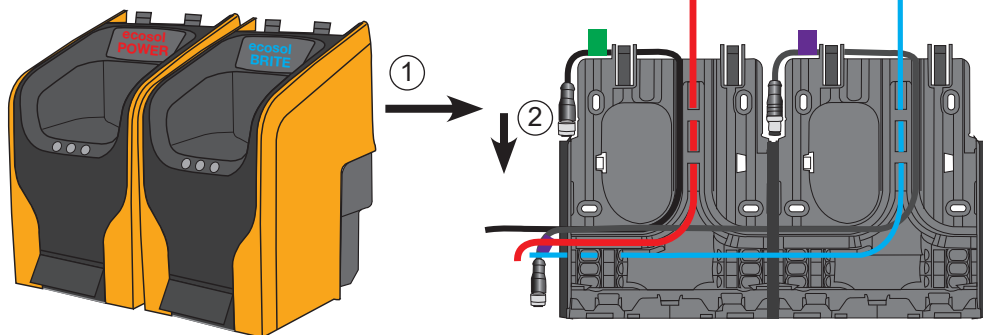


2.

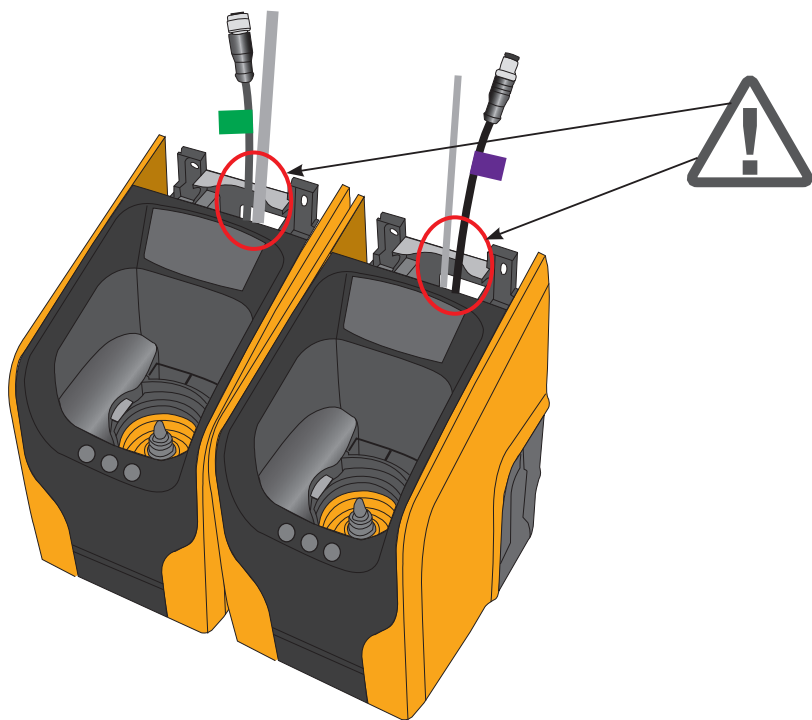


dozator deterdžent /  
dispenser cleaner

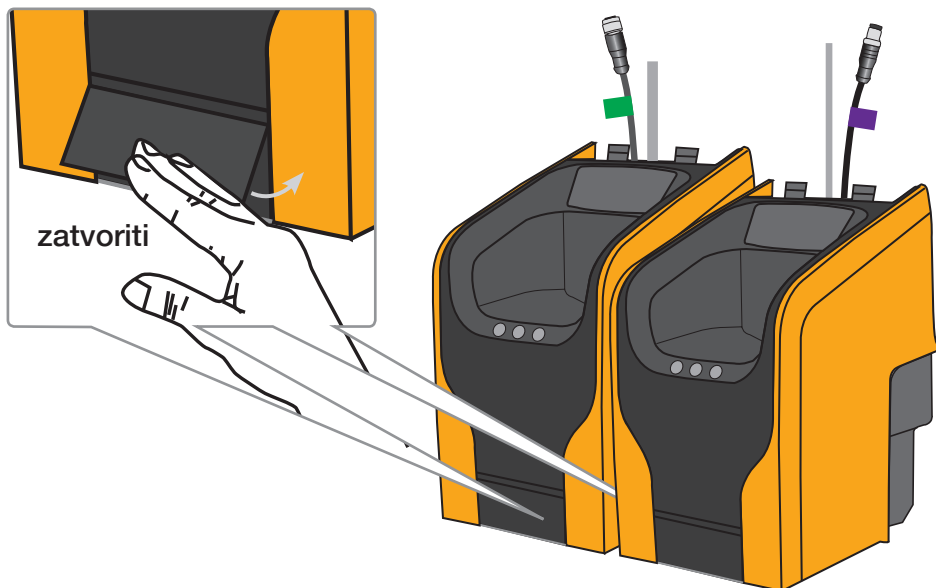
dozator sjajilo / dispenser  
rinse aid



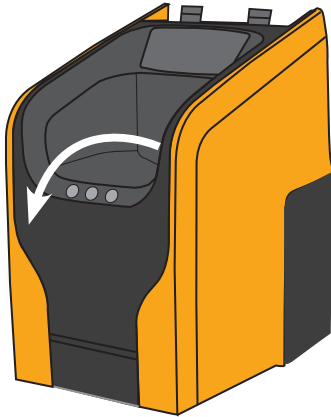
3.



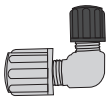
4.



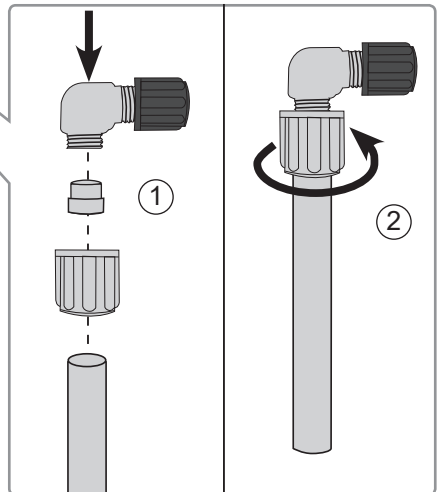
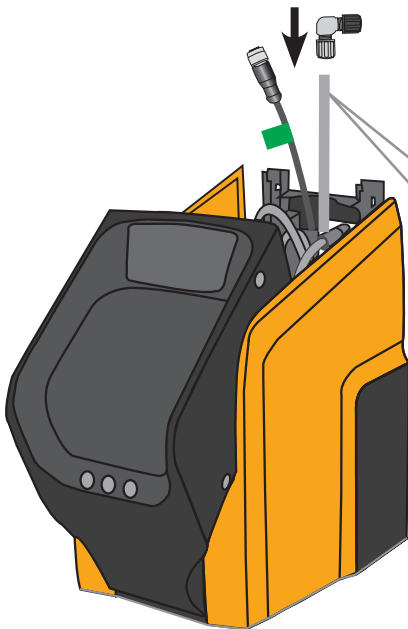
1.



2.

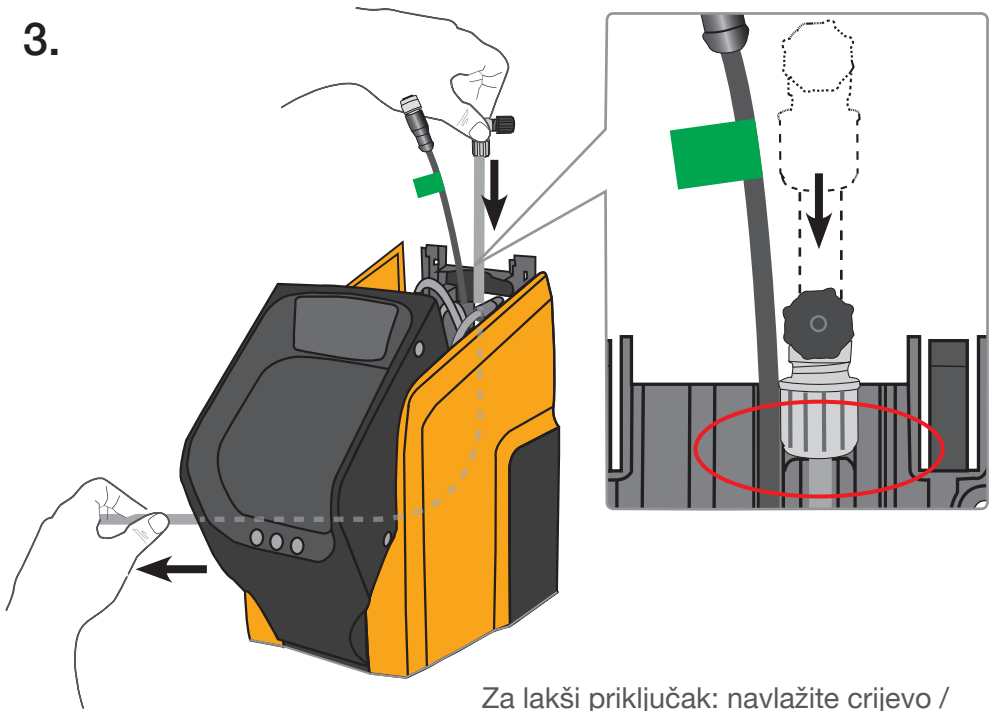


upotrebite ovdje L-dio  
„integral 4START POWER“  
Use here the L-Part  
„integral 4START POWER“



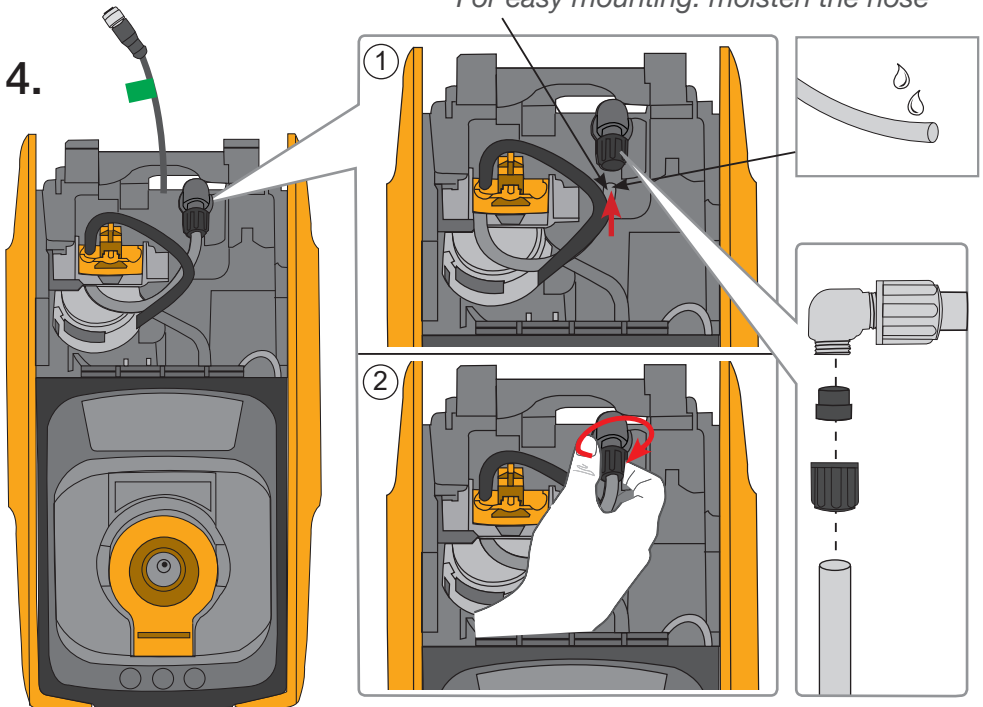


3.

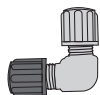


Za lakši priključak: navlažite crijevo /  
For easy mounting: moisten the hose

4.

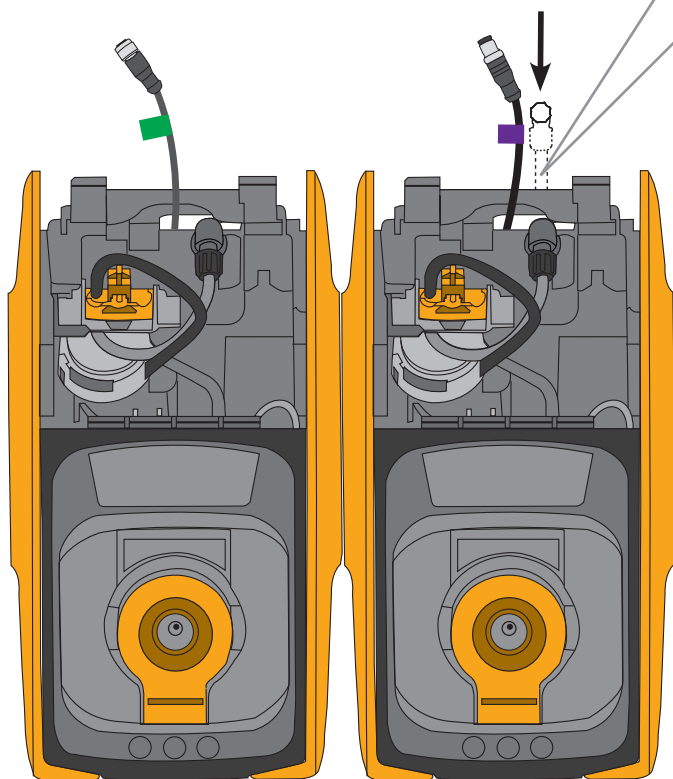
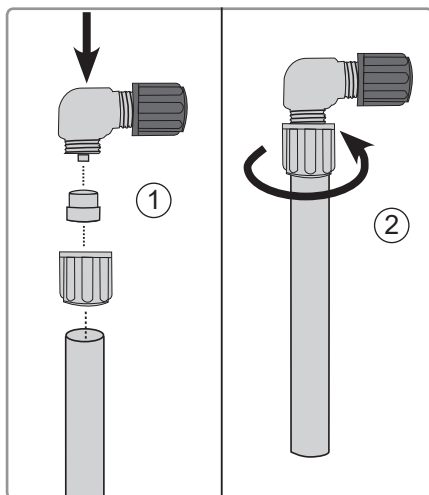


5.

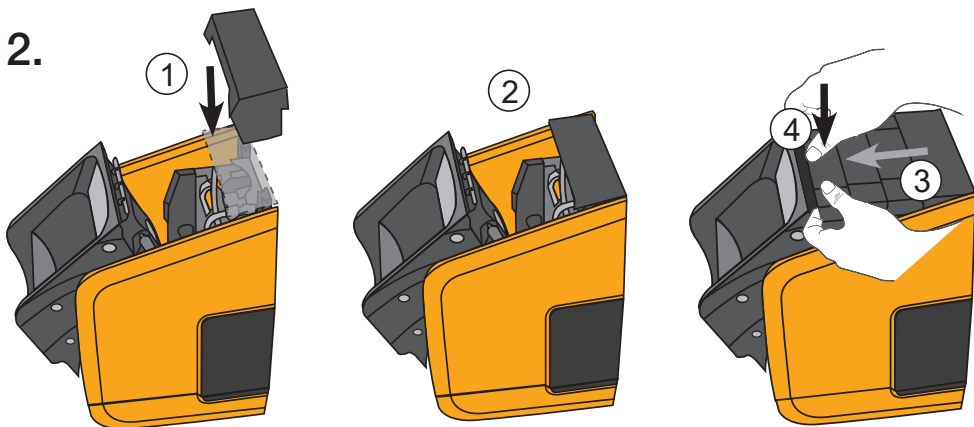
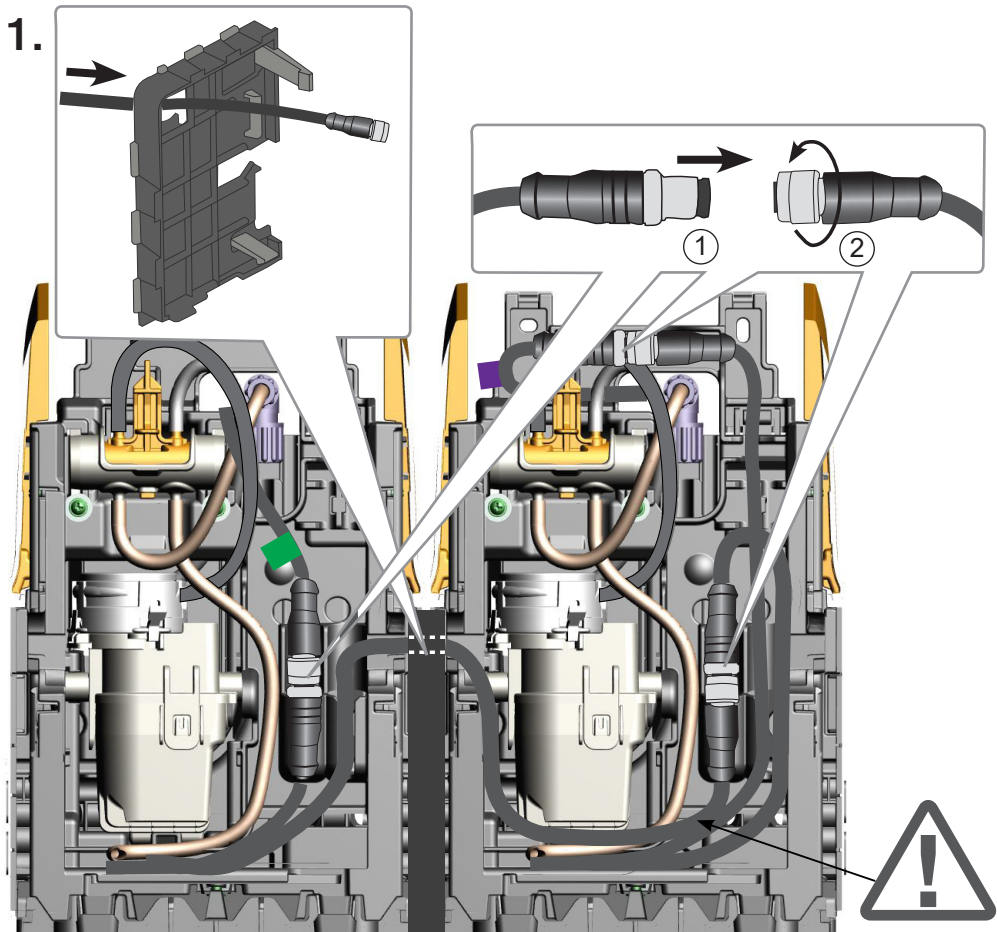


upotrebite ovdje L-dio  
„integral 4START BRITE“  
Use here the L-part  
„integral 4START BRITE“

ponovite korake 1-4 prilikom postavljanja  
L-dijela na dozator od sjajila.  
Repeat steps 1-4 to fix the L-part in the  
rinse-aid dispenser.

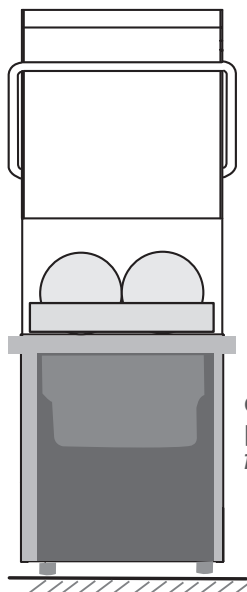


## Kabel spojit / connecting cable



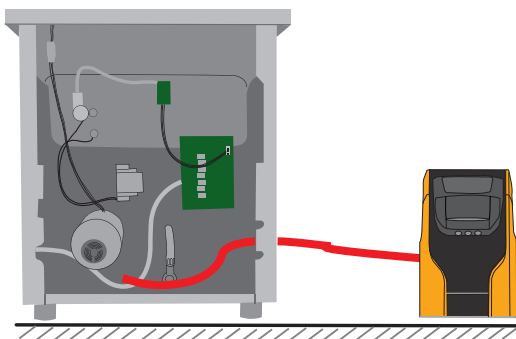
montaža priključka na tank / installation tank inlet

1.



otvoriti  
pokrov /  
front open

2.



uvucite crijeva u perilicu, koristite za to namjenjene ulaze na pozadini perilice.

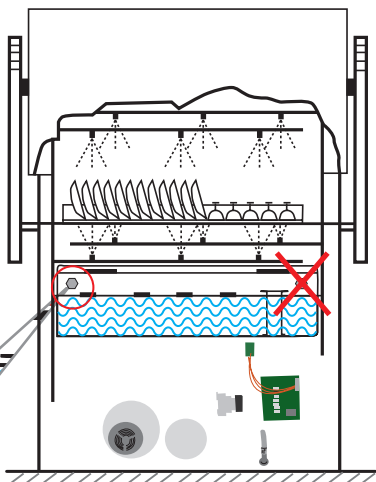
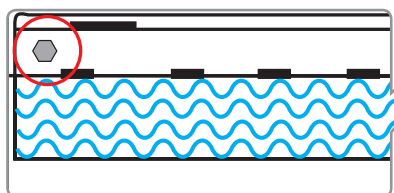
Use the machine inputs for hoses to put the hoses into the machine.

pozicija priključka na tank

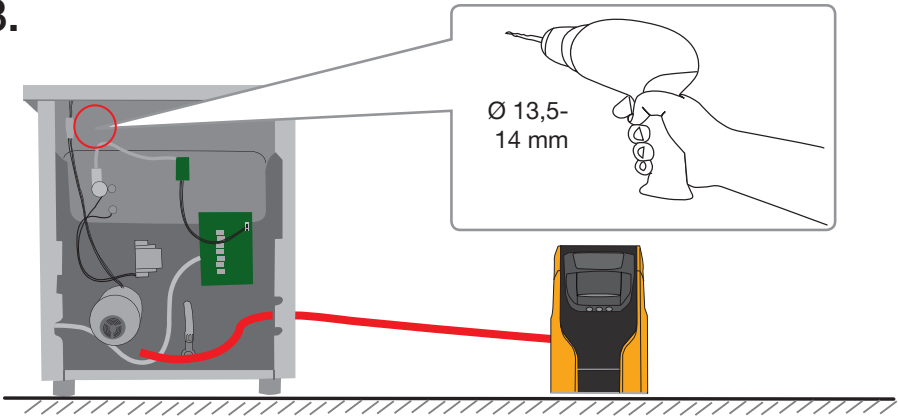
1. u tanku perilice
2. ispod vodilica košare
3. iznad nivoa vode
4. ne direktno iznad motora ili platina
5. lagano pristupačno i vidljivo (otvorena perilica)

Position tank inlet:

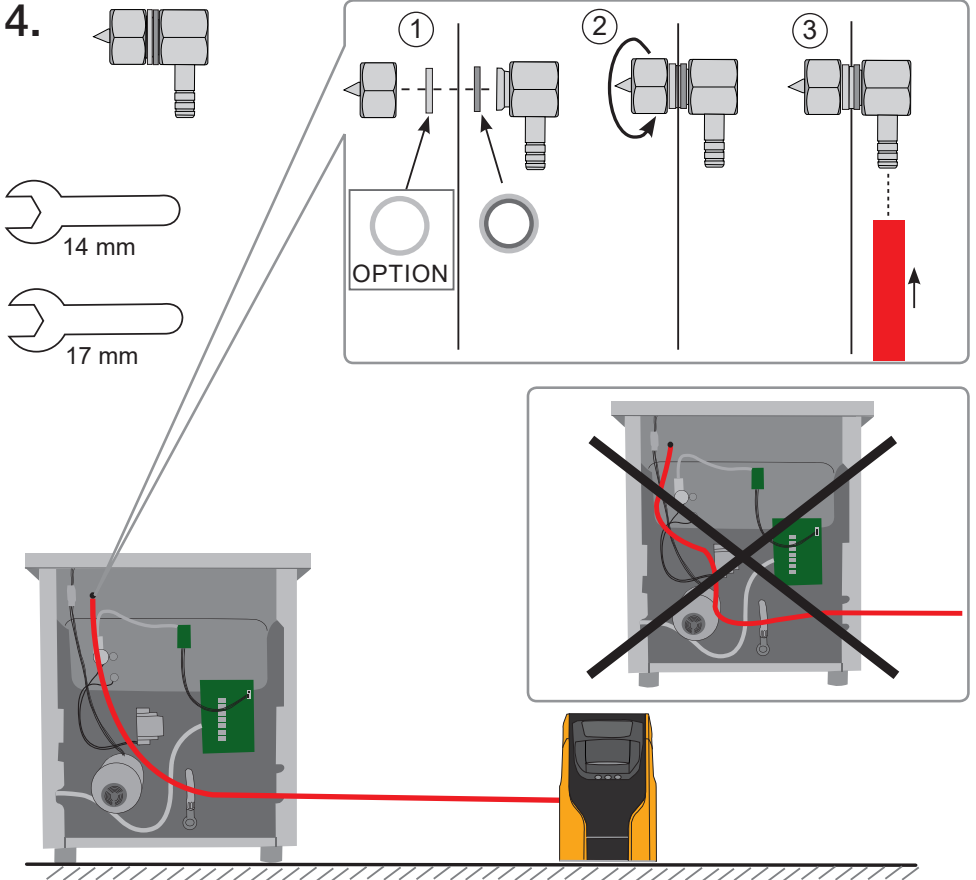
1. In the washing tank of the machine
2. Below the basket guide rail
3. Above water level
4. Not directly above motors or boards
5. Easy to access and visible (open machine)



3.

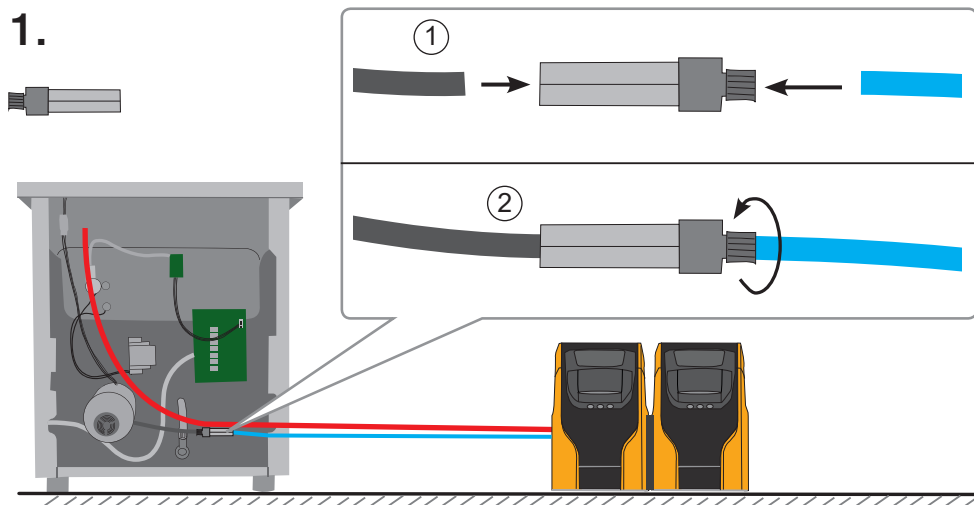


4.

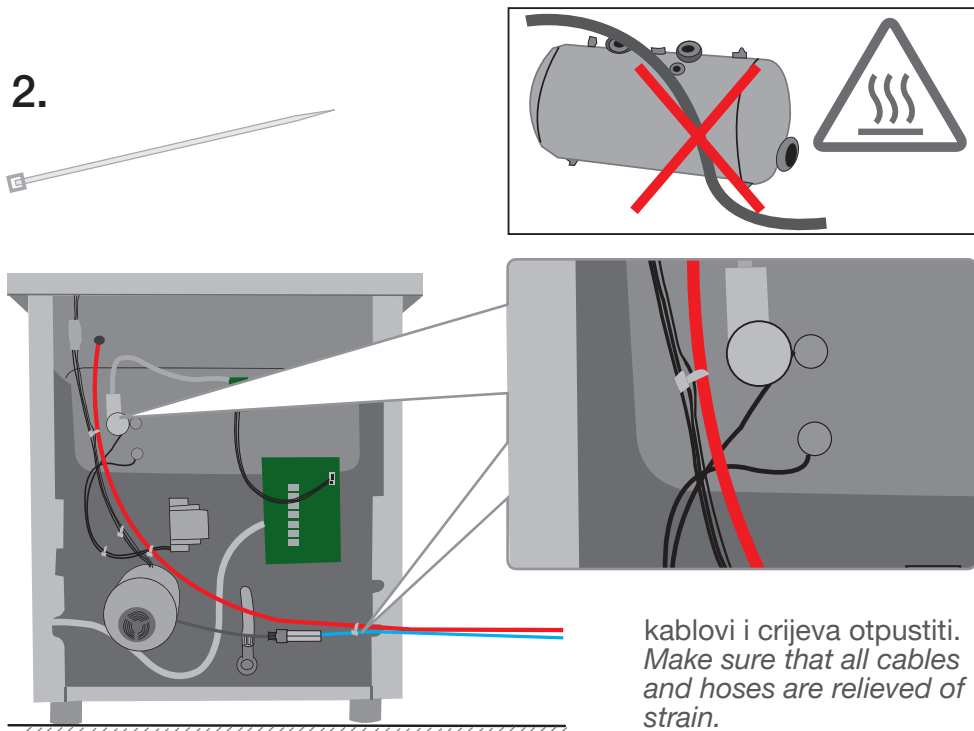


montaža povratnog ventila / installation check valve

1.



2.

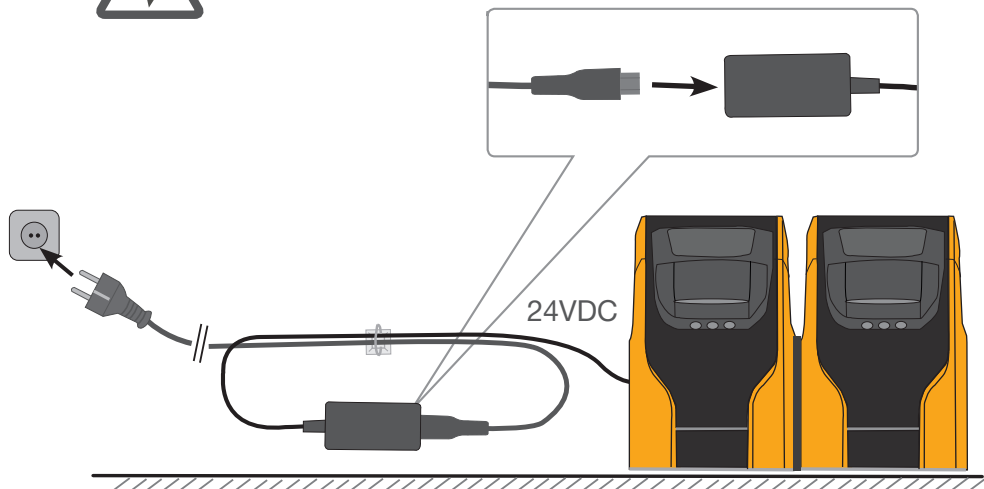


## priključak struje / power connection

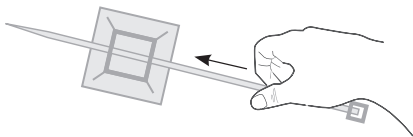
1.



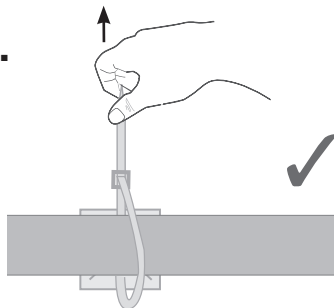
100~240VAC  
50/60Hz



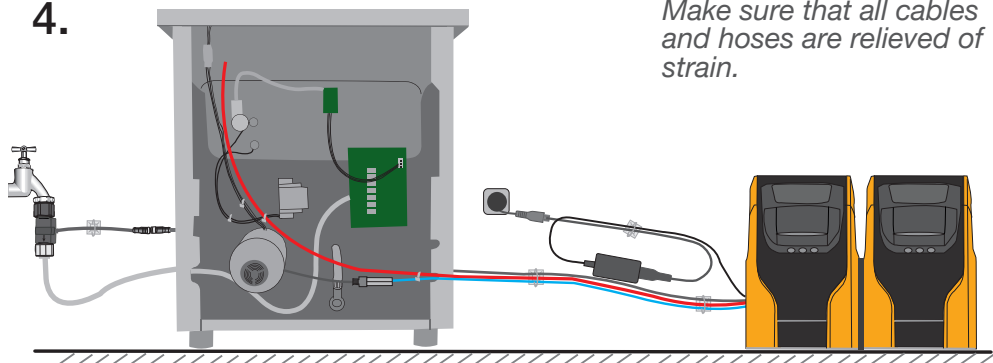
2.



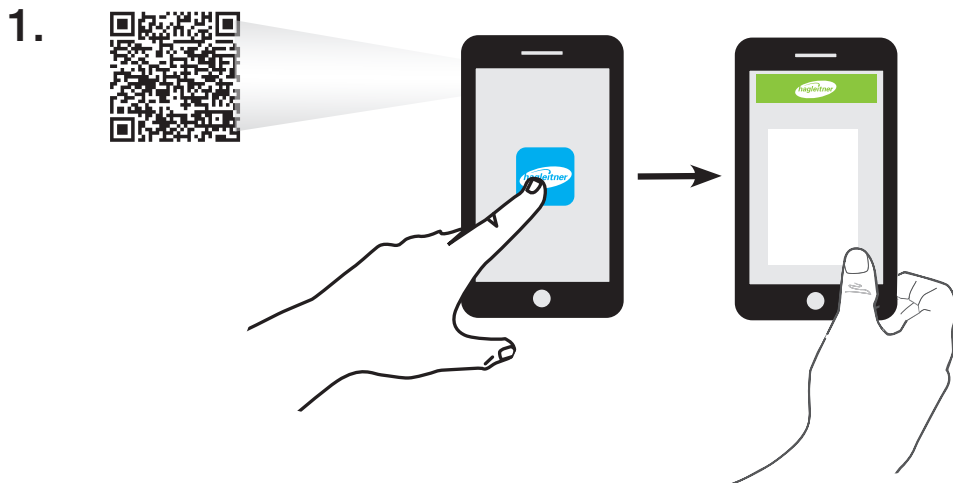
3.



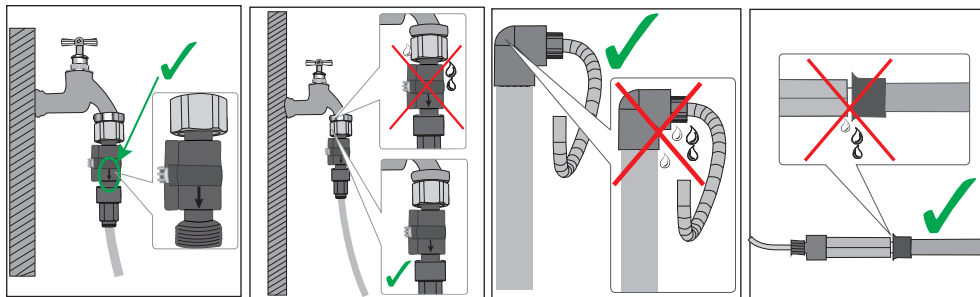
4.



kablovi i crijeva otpustiti.  
*Make sure that all cables  
and hoses are relieved of  
strain.*



2. provjeriti nakon puštanja u uporabu po aplikaciji /  
*Check after installation according to the app*



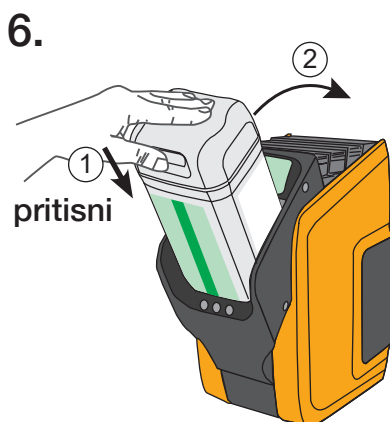
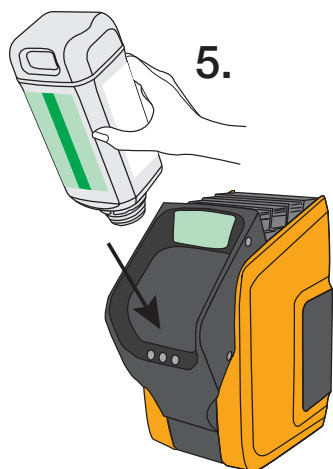
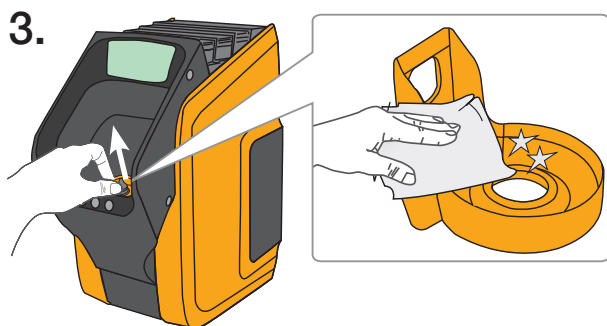
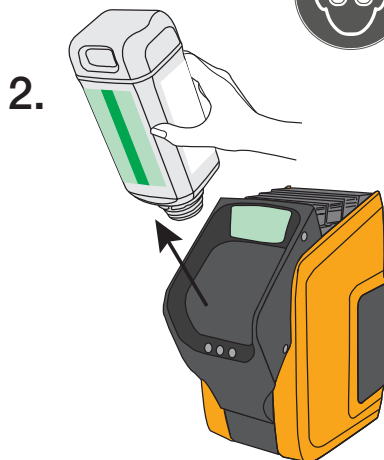
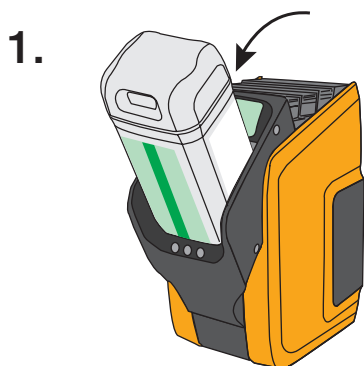
### Potrošni dijelovi / wearing parts

integral 4PLUS FLOW METER  
integral 4PLUS PUMP POWER  
integral 4PLUS PUMP BRITE







intervali održavanja potrošnih dijelova su automatski proaktivno navedeni u aplikaciji / *Service intervals and exchange of wear parts are announced in the app proactive.*









zamjena patrona / cartridge exchange



integral 4PLUS dozator / *integral 4PLUS dispenser*

piktogram <i>pictogram</i>		boja <i>colour</i>	Signal <i>signal</i>
  	<p><b>spreman za upotrebu / Ready to use</b></p>	zelena <i>green</i>	dozator je spreman za upotrebu <i>dispenser is ready to use</i>
		narančasta <i>orange</i>	dozator radi, nastao je problem - detalji u aplikaciji <i>dispenser is working, maintenance required – details in APP</i>
		crvena <i>red</i>	dozator ne radi (dozator je otvoren, patrona i rezervni tank je prazan) <i>dispenser is not working (dispenser is open, cartridge and reserve tank empty)</i>
		bez boje <i>no colour</i>	dozator nema struju <i>no power supply available</i>
 	<p><b>Patrona / Cartridge</b></p>	narančasta <i>orange</i>	Patrone je prazna - dozator radi u modusu rezerve <i>cartridge is empty, dispenser on reserve tank mode</i>
		crvena <i>red</i>	Patrona je prazna, krivi proizvod u dozatoru, RFID ne može biti očitana, dozator je otvoren, nema patronu u dozatoru <i>cartridge is empty, wrong product, RFID not available, dispenser is open, no cartridge in dispenser</i>
	<p><b>Bluetooth</b></p>	Blau <i>blue</i>	dozator je spojen sa aplikacijom <i>dispenser and App are connected</i>

## integral 4PLUS Display / *integral 4PLUS display*

piktogram <i>pictogram</i>		boja <i>colour</i>	Signal <i>signal</i>
  	<b>spreman za upotrebu / Ready to use</b>	zelena <i>green</i>	dozator je spreman za upotrebu <i>dispenser is ready to use</i>
		narančasta <i>orange</i>	dozator radi, nastao je problem - detalji u aplikaciji <i>dispenser is working, maintenance required – details in APP</i>
		crvena <i>red</i>	dozator ne radi (dozator je otvoren, patrona i rezervni tank je prazan) <i>dispenser is not working (dispenser is open, cartridge and reserve tank empty)</i>
		bez boje <i>no colour</i>	baterija statusne trake je prazna <i>battery is empty</i>
 	<b>Patrona / Cartridge</b>	narančasta <i>orange</i>	Patrone je prazna - dozator radi u modusu rezerve <i>cartridge is empty, dispenser on reserve tank mode</i>
		crvena <i>red</i>	Patrona je prazna, krivi proizvod u dozatoru, RFID ne može biti očitana, dozator je otvoren, nema patronu u dozatoru <i>cartridge is empty, wrong product, RFID not available, dispenser is open, no cartridge in dispenser</i>
	<b>baterija / battery</b>	Rot <i>red</i>	baterija uskoro prazna <i>Battery drain</i>

# EC-DECLARATION of CONFORMITY

The distributor: Company  
Hagleitner Hygiene International GmbH  
Lunastraße 5  
5700 Zell am See

declares under his sole responsibility for the following system:

<b>Integral 4PLUS</b>	
<b>Type: Dosing System</b>	<b>Mach. Nr.: P0343</b>

that all the relevant provisions of following *European Directives* are fulfilled:

2006/42/EC	Machinery Directive
2014/53/EU	Radio Equipment Directive
2014/35/EU	Low Voltage Directive
2014/30/EU	Electromagnetic Compatibility
2011/65/EU	Restriction of certain hazardous substances in electronic equipment

and that the system corresponds with the relevant sections of following standards and/or other normative documents:

EN ISO 12100	Safety of machinery
EN 61000-6-3	Electromagnetic compatibility (EMC) – Emission
EN 61000-6-2	Electromagnetic compatibility (EMC) - Immunity for industrial environments
EN 300330	Spurious emissions and Spektrummask

Zell am See, 16.12.2019

  
Hans Georg Hagleitner  
Chief Executive Officer  
Hagleitner Hygiene International GmbH