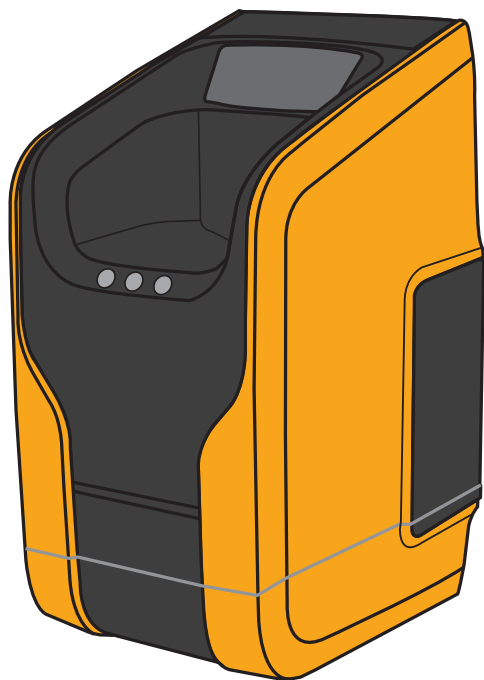


integral 4PLUS

sr

en



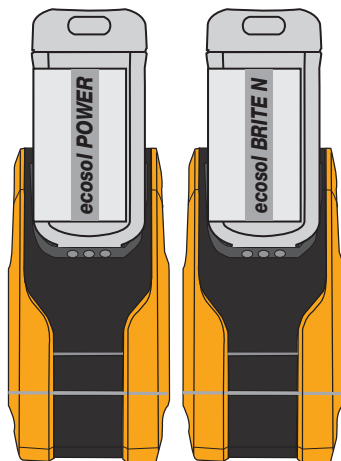
Dobro došli!

Sa integral 4PLUS dozatorom odlučili ste se za precizan, automatski dozirni uređaj za profesionalne mašine za pranje suđa. Sa integral 4PLUS-om možete dozirati tečne visokokoncentrisane deterdžente i sredstva za sjaj. Time pokrivete sve potrebe u kuhinji.

U ovom uputstvu za upotrebu objašnjena je montaža i upotreba uređaja. Uz to možete naći na www.hagleitner.com film za korisnike za montažu, prvo korišćenje i primenu Vašeg novog sistema dozatora.

Zahvaljujemo se na tome, što ste se odlučili za ovaj HAGLEITNER proizvod. Kod pitanja, problema i želja radujemo se Vašoj adresi i telefonskom broju za uspostavu kontakta!

U multiFILL patroni: visoko koncentrisan deterdžent i sredstvo za sjaj
Kompaktan asortiman za profesionalno pranje suđa



Deterdžent

ecosol POWER Br. art. 4220101119

ecosol POWER ALU Br. art. 4220101319

ecosol POWER OSMO GL
Br. art. 4220101219

Sredstvo za sušenje do sjaja

ecosol BRITE N Br. art. 4220200319

ecosol BRITE S Br. art. 4220200419



Za uputstvo za upotrebu na Vašem jeziku molimo skenirati ovaj QR-Code:
<http://www.hagleitner.com/en/downloads/>

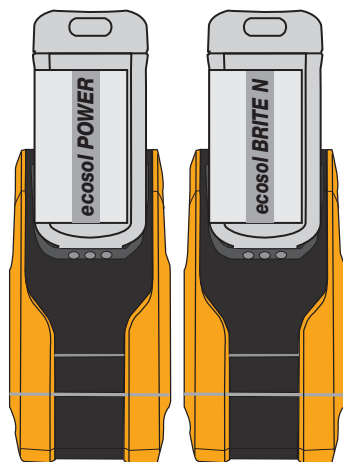
Welcome!

With your selection of the integral 4PLUS dispenser, you have chosen a precise and fully automated dosing unit for industrial, commercial dishwashing machines. Integral 4PLUS dispenser is a dosing device for liquid, concentrated dishwashing detergent and rinse-aid. Specially developed to cover the requirements of commercial dishwashing.

These operating instructions explain the installation and operation of the unit. For further support, go to www.hagleitner.com and view a user video about the installation, initial start-up and use of your new dispensing system.

Thank you for choosing this HAGLEITNER product. We look forward to receiving your address and telephone number to make contact in the event of questions, problems or suggestions!

In the multiFILL cartridge: concentrated detergent and rinse-aid
A compact assortment for commercial dishwashing



Cleaner

ecosol POWER Art.-No. 4220101119

ecosol POWER ALU Art.-No. 4220101319

ecosol POWER OSMO GL
Art.-No. 4220101219

Rinse-aid

ecosol BRITE N Art.-No. 4220200319

ecosol BRITE S Art.-No. 4220200419



Please scan this QR code for instructions for use in your language:
<http://www.hagleitner.com/en/downloads/>

Sadržaj

Šta Vam treba	6
Sadržaj isporuke.....	7
integral 4PLUS dozator	7
integral 4PLUS FLOWMETER	8
integral 4PLUS PUMP POWER / BRITE	8
integral 4START POWER / BRITE	9
integral 4PLUS powerPACK ex	9
Opcija: integral 4WALL	10
Opcija: integral 4PLUS DISPLAY	10
Lista alata	10
Mogućnosti montaže	11
Monžaža ispod stola/na zidu	11
Ubaciti pumpu	13
Ubaciti label	18
Montaža pojedinačnog dozatora	19
Montaža pojedinačnog dozatora ispod stola	19
Montaža pojedinačnog dozatora na zidu	22
Montaža u nizu	24
Montaža u nizu ispod stola	24
Montaža u nizu na zidu	28
Montža integral 4PLUS FLOWMETER	32
Polaganja creva & kablova pojedinačnog dozatora.....	34
Polaganja creva & kablova	34
Postaviti delove sa strane	36
Postaviti dozator	37
L-deo spojiti	39
Kablove povezati	41
Polaganja creva & kablova montaža u nizu	43
Polaganja creva & kablova	43-44
Postaviti delove sa strane	45
Postaviti dozator	46
L-delove spojiti	48
Kablove povezati	51
Montaža priključka za deterdžent	52
Montaža ulaza u rezervoar	52
Montaža priključka za sredstvo za sjaj	54
Montaža povratni ventil	54
Priključak struje	55
App: Aktiviranje dozatora	56
Noseći delovi	56
Upotreba	57
Zamena patrona	57
Piktogrami	58



Content

What you need	6
Scope of delivery	7
<i>integral 4PLUS dispenser</i>	7
<i>integral 4PLUS FLOWMETER</i>	8
<i>integral 4PLUS PUMP POWER / BRITE</i>	8
<i>integral 4START POWER / BRITE</i>	9
<i>integral 4PLUS powerPACK ex</i>	9
Option: <i>integral 4WALL</i>	10
Option: <i>integral 4PLUS DISPLAY</i>	10
Tool list	10
Mounting options	11
Undertable/wall mounting	11
Insert pump	13
Insert label	18
Installation individual dispenser	19
Under table installation individual dispenser	19
Wall installation individual dispenser	22
Row installation	24
Row installation under table	24
Row installation wall	28
Installation integral 4PLUS FLOWMETER	32
Hose and cable installation individual dispenser	34
Hose/cable installation	34
Side part mounting	36
Dispenser mounting	37
Connecting L-part	39
Connecting cable	41
Hose and cable installation row installation	43
Hose/cable installation	43-44
Side part mounting	45
Dispenser mounting	46
Connecting L-parts	48
Connecting cable	51
Installation cleaner connection	52
Installation tank inlet	52
Installation rinse-aid connection	54
Installation check valve	54
Power connection	55
App: activation dispenser	56
Wearing parts	56
Operation	57
Cartridge exchange	57
Pictograms	58



Skinite HAGLEITNER APP.
Download the HAGLEITNER App.



Tehnički podaci / Technical specifications:

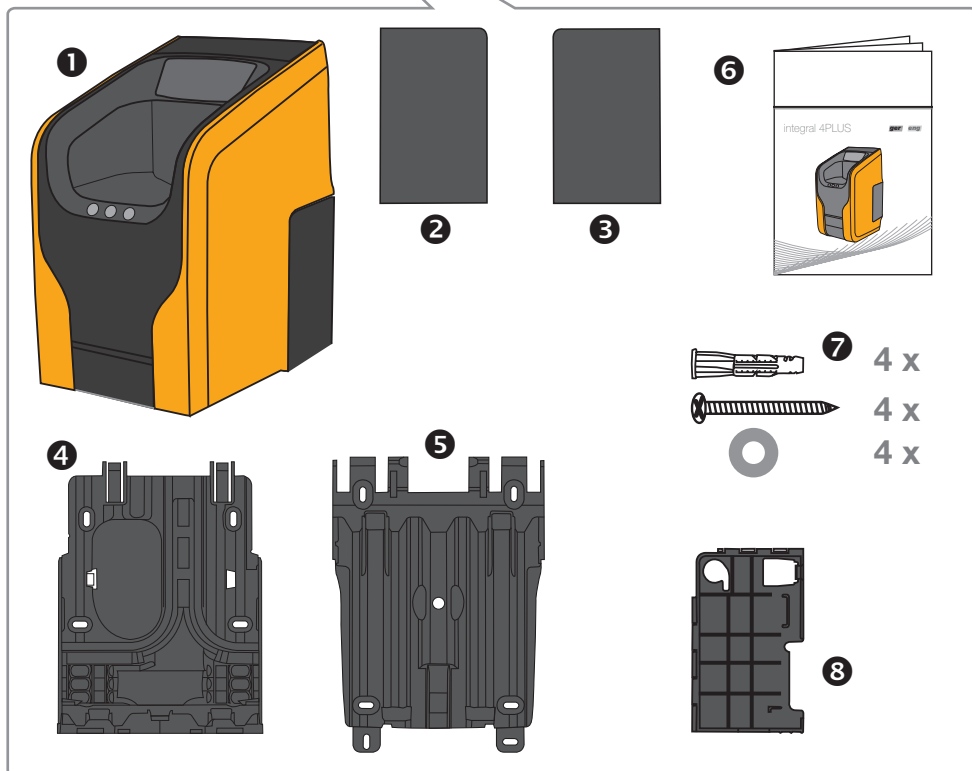
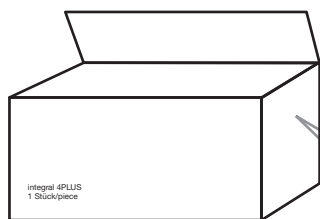
Težina / Weight:	Zid/wall 3,7 kg, Pod/floor 3,37 kg
Mere / Dimensions:	Zid/wall 34,5, pod/floor 27,5 (V) x 17,8 (Š) x 22,2 cm (D)
Protok vode / Water flow rate:	min. 1 l/min., max. 20 l/min
Priključak vode / Water connection:	3/4 Zoll/inch
Pritisak / Pressure:	max. 8 bar @ 20° C max. 5 bar @ 40° C
Temperatura vode / Water temperature:	5–60° C
Temperatura okoline / Ambient temperature:	5–30° C
Napon snabdevanja / Supply voltage:	24 V-DC / 1,5 A max.
Mreža / System voltage:	230 V (EU); 110 V (USA)
Montaža u nizu / Row installation:	max. 3 uređaja / devices
Vrsta zaštite / Protection class:	IP21

Sadržaj isporuke / Scope of delivery

Integral 4PLUS dozator / *integral 4PLUS dispenser*

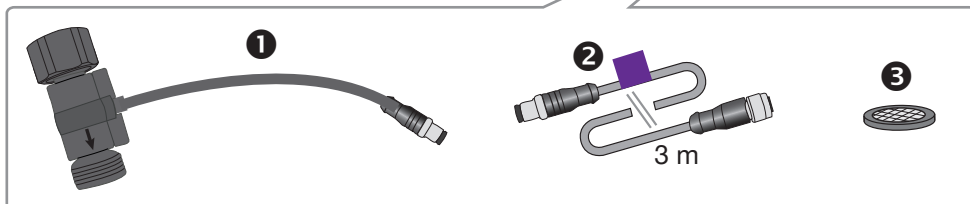
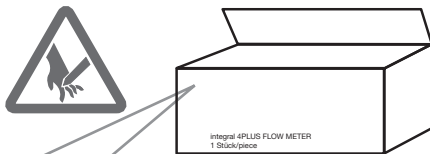
- 1 integral 4PLUS - dozator
- 2 Deo sa strane levo
- 3 Deo sa strane desno
- 4 Montažna ploča gore
- 5 Montažna ploča dole
- 6 Uputstvo za upotrebu
- 7 Set za montažu
- 8 Ploča za spajanje

- 1 *integral 4PLUS - Dispenser*
- 2 *side part left*
- 3 *side part right*
- 4 *mounting plate top*
- 5 *mounting plate bottom*
- 6 *operating instructions*
- 7 *mounting kit*
- 8 *connecting plate*

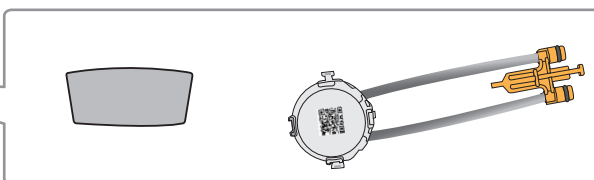
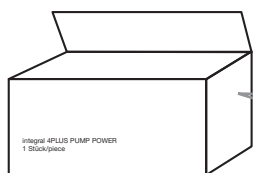


Integral 4PLUS FLOW METER / *integral 4 PLUS FLOW METER*

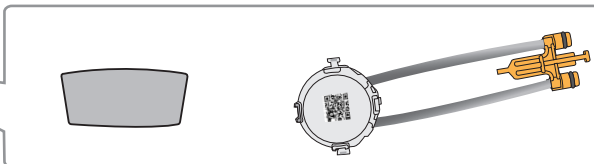
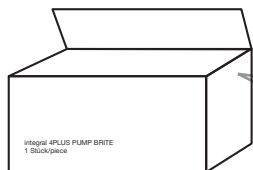
- | | |
|----------------|------------------------|
| ① Brojilo vode | ① <i>flow meter</i> |
| ② Buskabal 3 m | ② <i>bus cabel 3 m</i> |
| ③ Zaptivka | ③ <i>seal</i> |



integral 4PLUS PUMP POWER / *integral 4PLUS PUMP POWER*

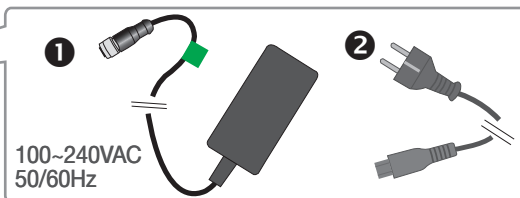
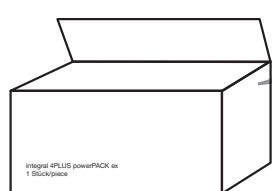


integral 4PLUS PUMP BRITE / *integral 4PLUS PUMP BRITE*



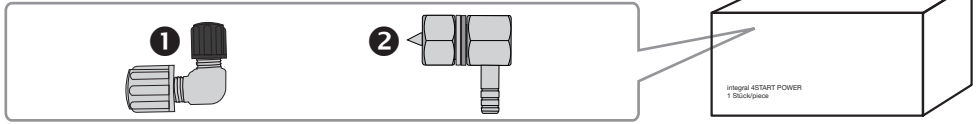
integral 4PLUS powerPACK ex / *integral 4PLUS powerPACK ex*

- | | |
|--|---|
| ① Mrežni deo sa priključnim kablom 2 m | ① <i>power supply unit with cable 2 m</i> |
| ② Kabal uređaja 1,8 m | ② <i>plug 1,8 m</i> |



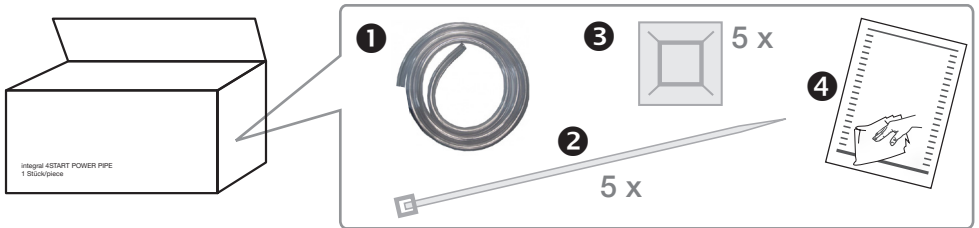
integral 4START POWER / *integral 4START POWER*

- ❶ L-komad
- ❷ Ulaz u tank
- ❶ *L-part*
- ❷ *tank inlet*



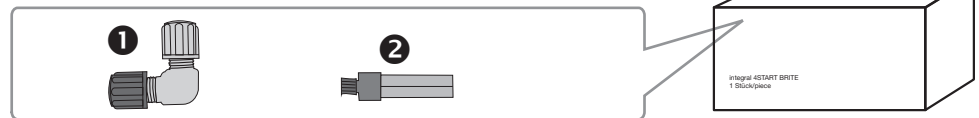
integral 4START POWER PIPE / *integral 4START POWER PIPE*

- ❶ Crevo za deterdžent 6 m - Ø 8 mm
- ❷ Vezice za kabal
- ❸ Samolepivi držač
- ❹ Krpa za čišenje
- ❶ *hose for detergent 6 m Ø 8 mm*
- ❷ *cable ties*
- ❸ *adhesive mounts*
- ❹ *cleaning cloth*



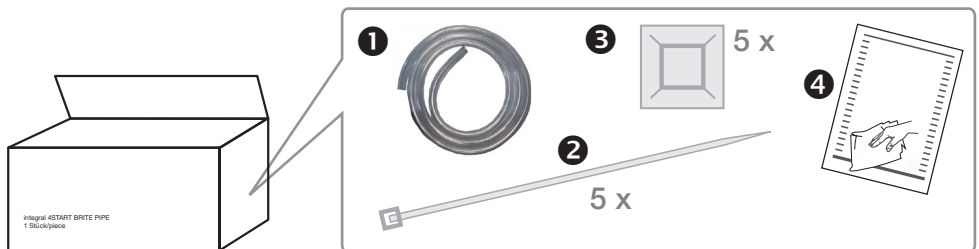
integral 4START BRITE / *integral 4START BRITE*

- ❶ L-komad
- ❷ Povratni ventil
- ❶ *L-part*
- ❷ *check valve*



integral 4START BRITE PIPE / *integral 4START BRITE PIPE*

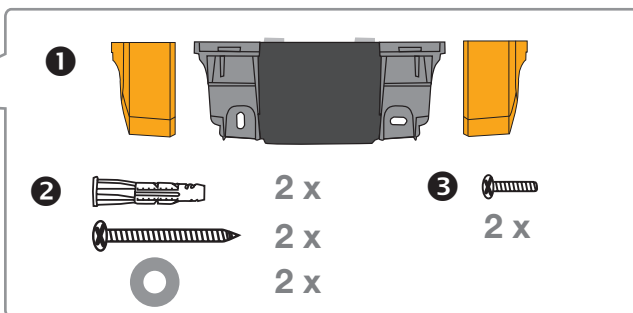
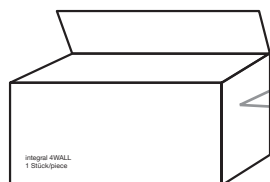
- ❶ Crevo za sredstvo za sjaj 6 m - Ø 6 mm
- ❷ Vezice za kabal
- ❸ Samolepivi držač
- ❹ Krpa za čišenje
- ❶ *hose for rinse-aid 6m - Ø 6 mm*
- ❷ *cable ties*
- ❸ *adhesive mounts*
- ❹ *cleaning cloth*



Opcija: integral 4WALL / Option: integral 4WALL

- ❶ 3-delni set za zidnu montažu
- ❷ 2 vijka, 2 tiple,
- 2 podložne pločice
- ❸ Vijak kratki

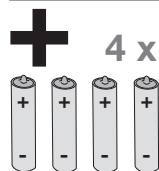
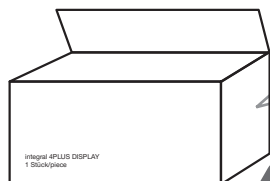
- ❶ 3 parts module for wall
- ❷ 2 screw, 2 dowel, 2 washer
- ❸ screw short



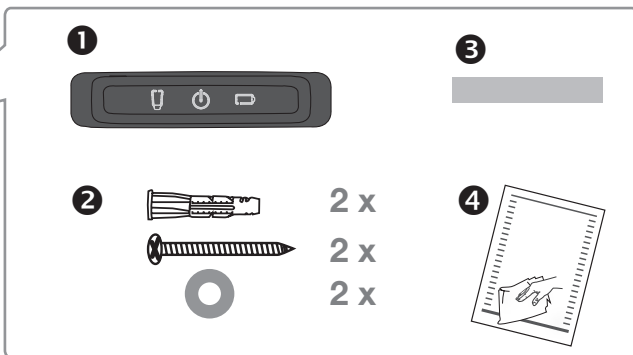
Opcija: integral 4PLUS DISPLAY / Option: integral 4PLUS DISPLAY

- ❶ integral 4PLUS DISPLAY
- ❷ 2 vijka, 2 tiple,
- 2 podložne pločice
- ❸ Lepljiva traka
- ❹ Krpa za čišćenje

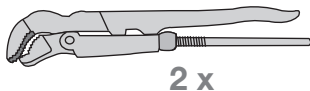
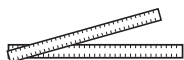
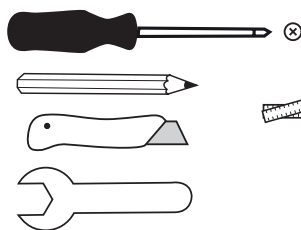
- ❶ integral 4PLUS DISPLAY
- ❷ 2 screw, 2 dowel, 2 washer
- ❸ adhesive strip
- ❹ cleaning cloth



AAA
(LR03, 24A)



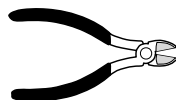
Lista alata / tool list



2 x

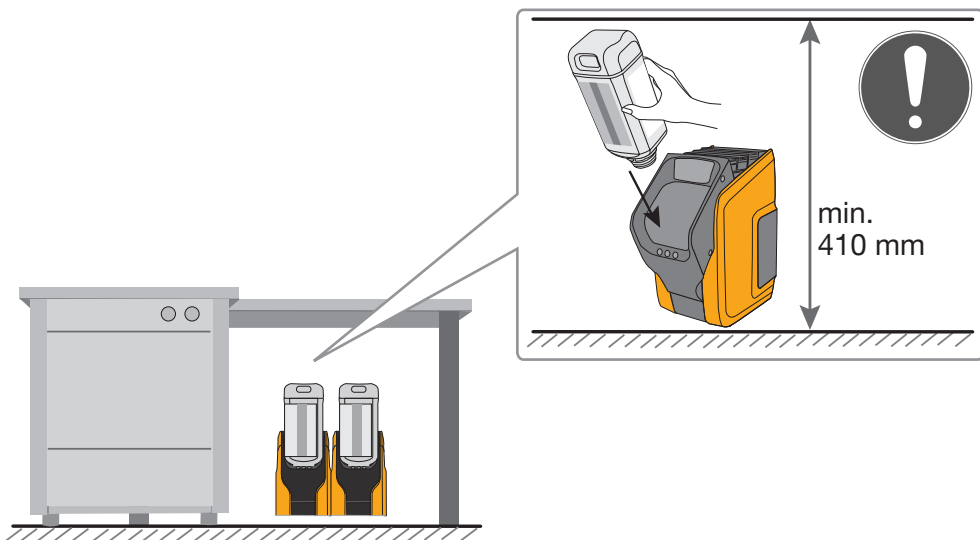


Ø 14 mm
+ Ø 6 mm

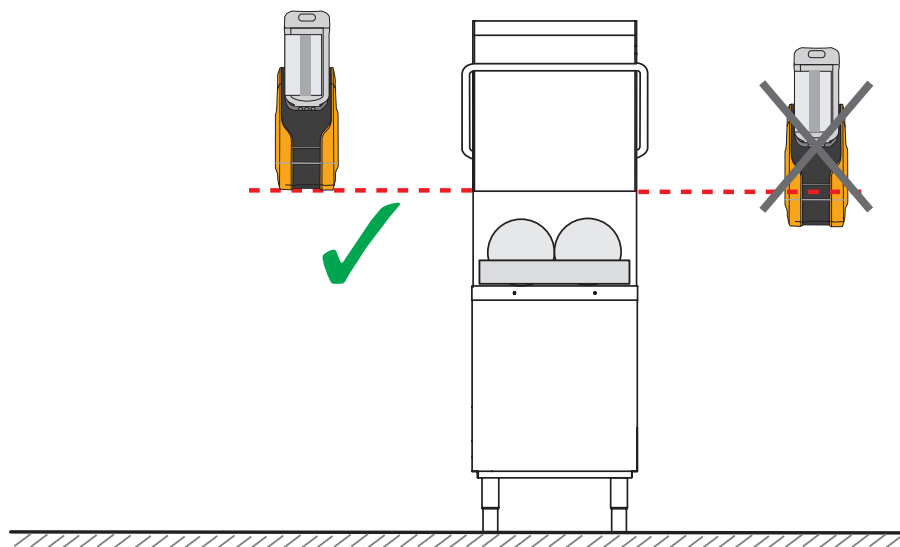


Mogućnosti montaže / mounting options

Monžaža ispod stola / undertable mounting



Zidna montaža / wall mounting

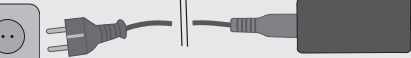


DIN VDE 100
Zone 3

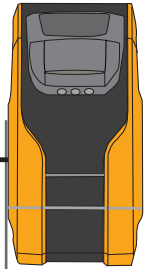
DIN VDE 100
Zone 2



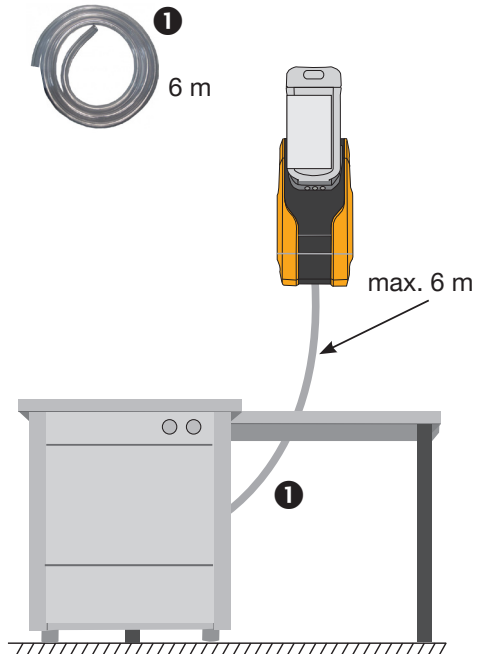
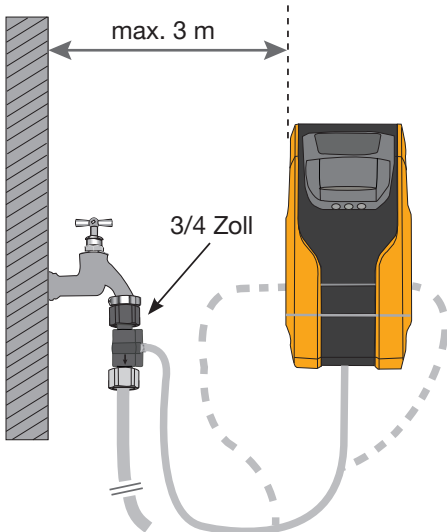
230V



24V



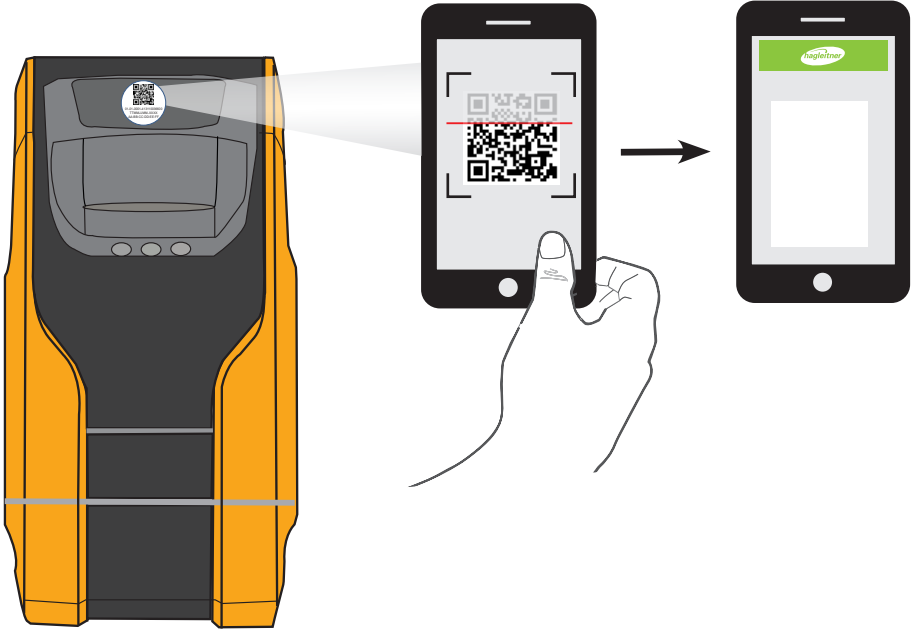
max. 3 m



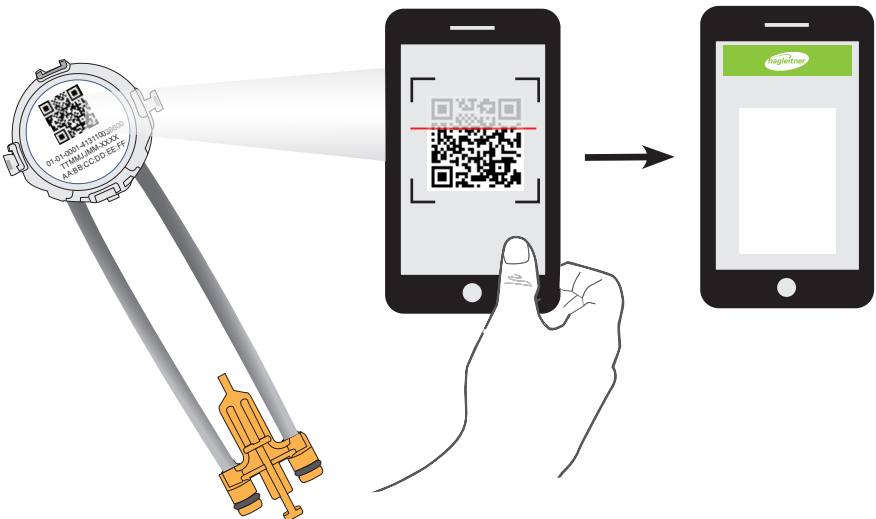
Ubaciti pumpu / insert pump

Ubaciti pumpu / insert pump

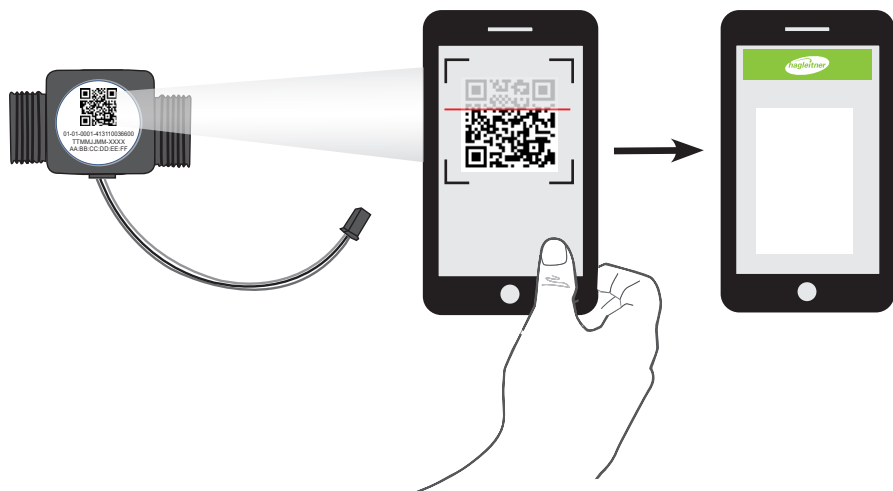
1. Skenirati dozator / scan dispenser



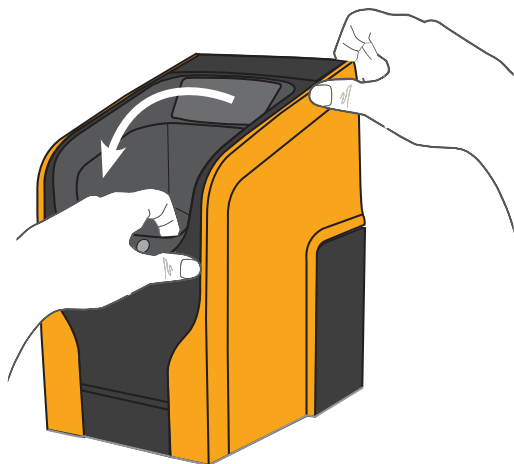
2. Skenirati pumpu / scan pump



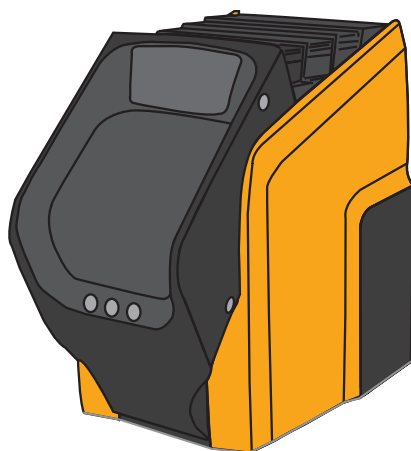
3. Skenirati brojilo za vodu / scan flow meter



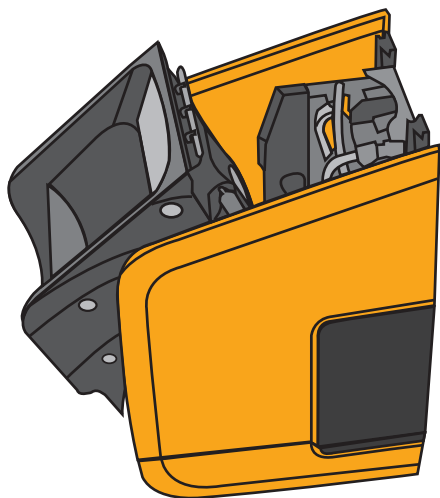
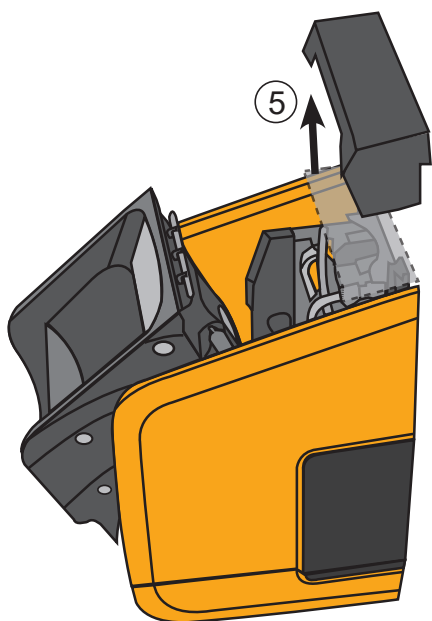
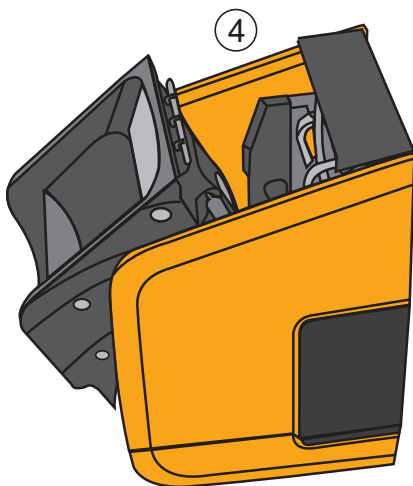
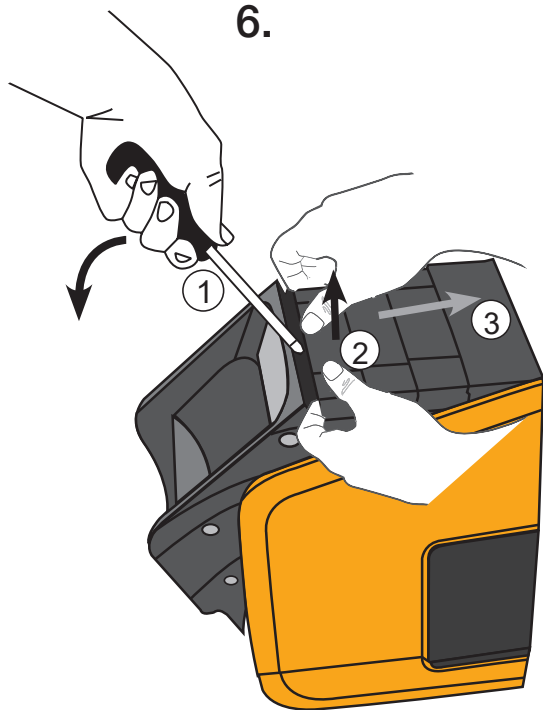
4.

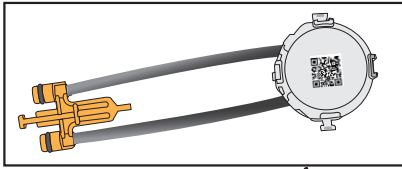


5.

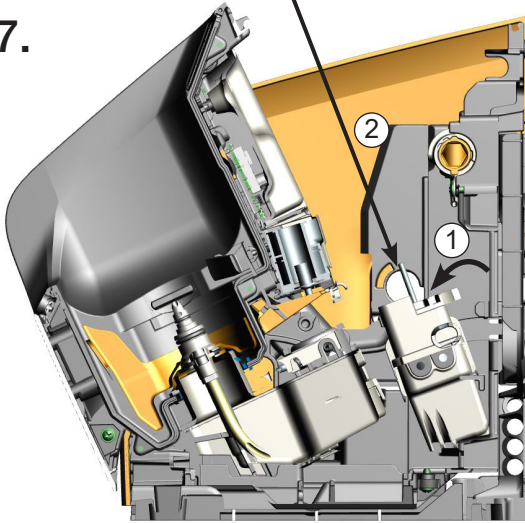


6.



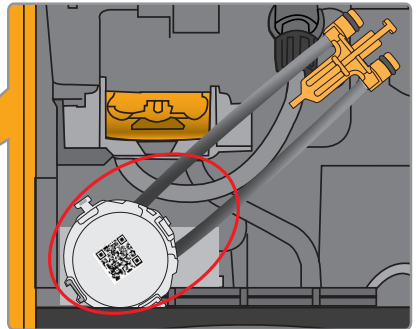
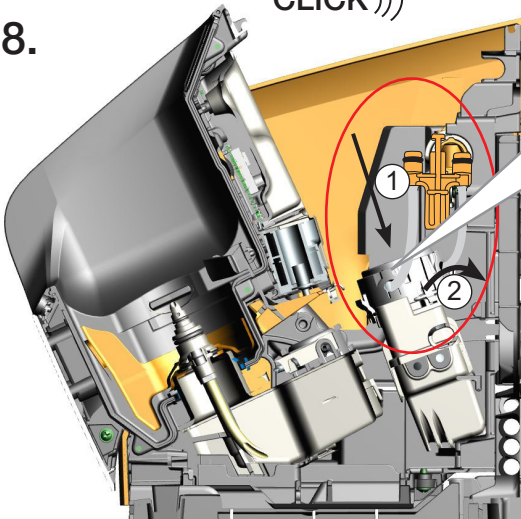


7.

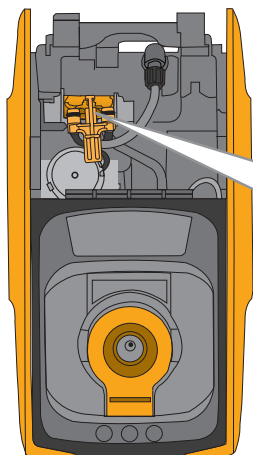


8.

CLICK)))

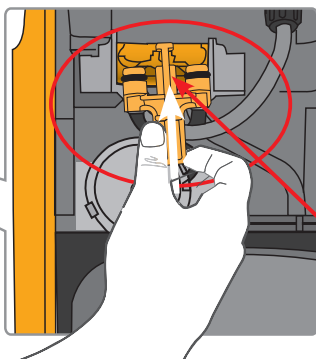


9.

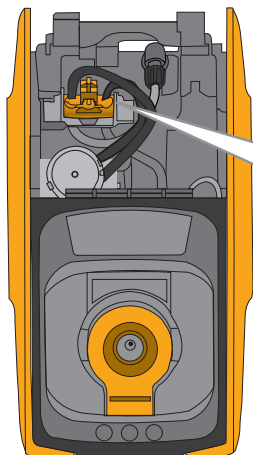
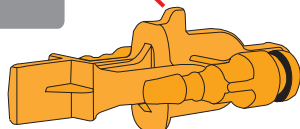


PRESS

①

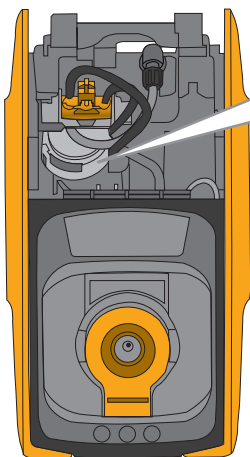
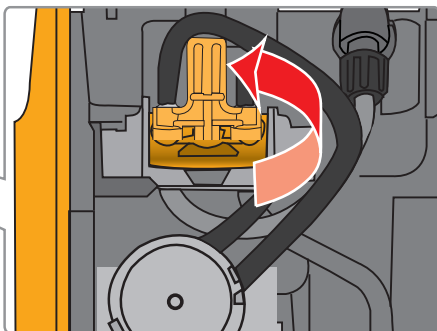


gore /
upside

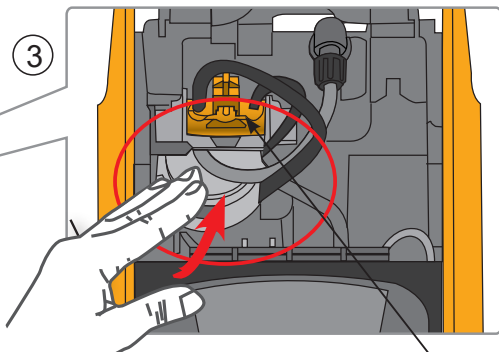


PUSH
UP

②



③

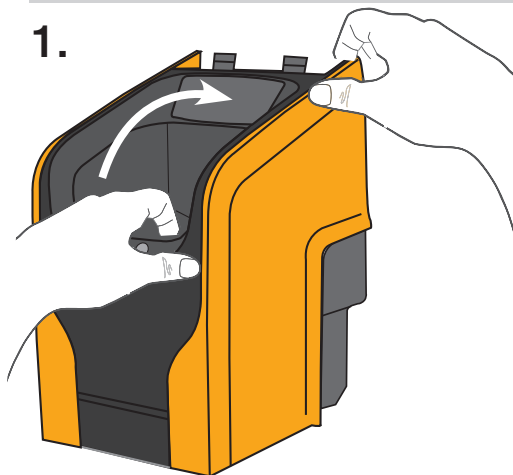


Uverite se, da je posuda za hemiju
sela kako treba i da stoji čvrsto!

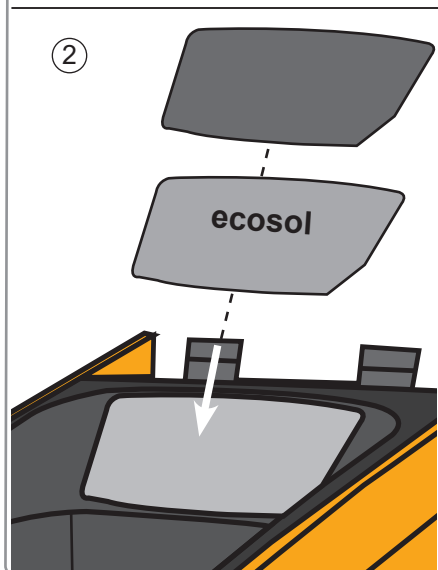
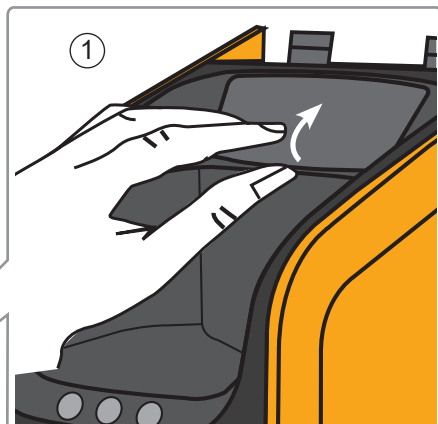
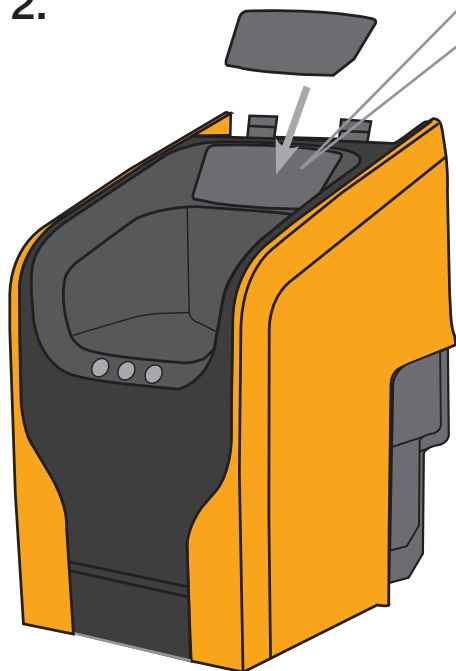
*Make sure that the chemistry coupling is cor-
rectly locked and fixed.*

Postaviti label / insert label

1.



2.

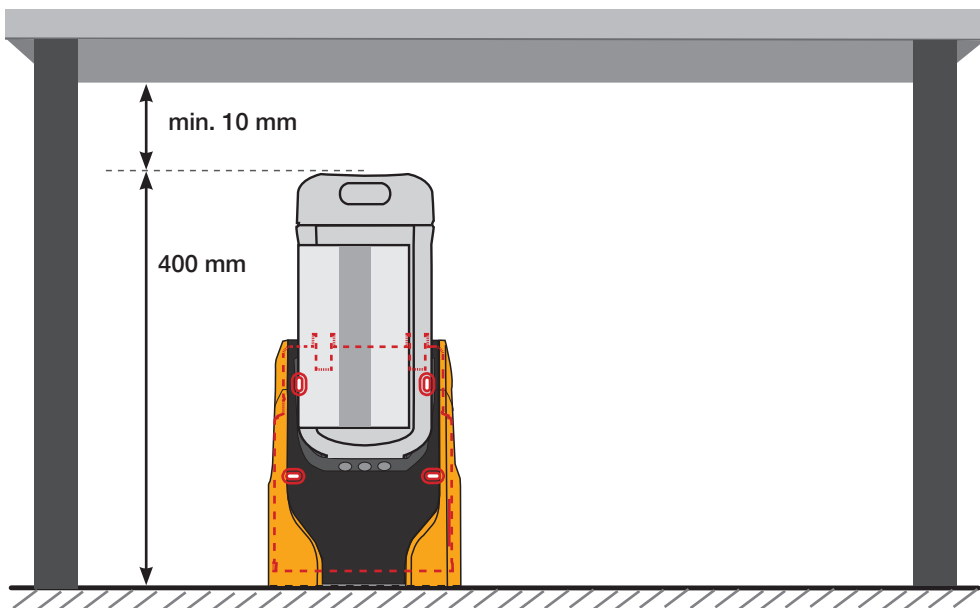


3. **Pratite APP / follow the APP**

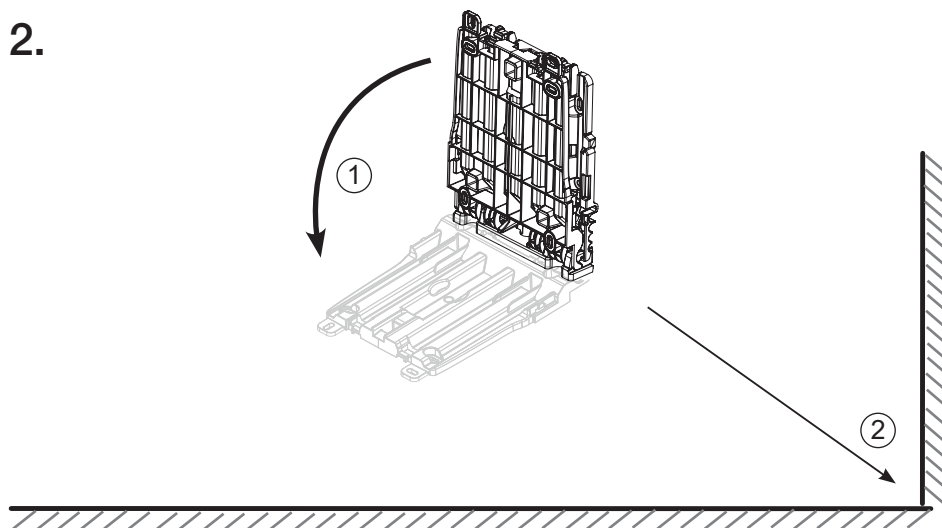
Montaža pojedinačnog dozatora / Installation individual dispenser

Montaža pojedinačnog dozatora ispod stola / under table installation individual dispenser

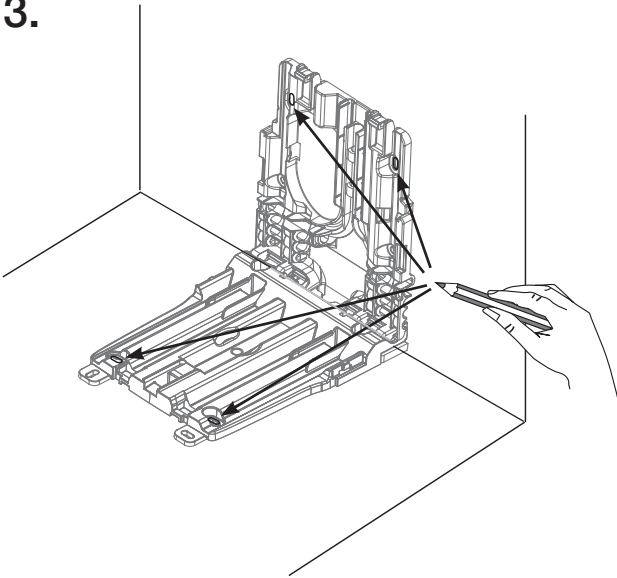
1.



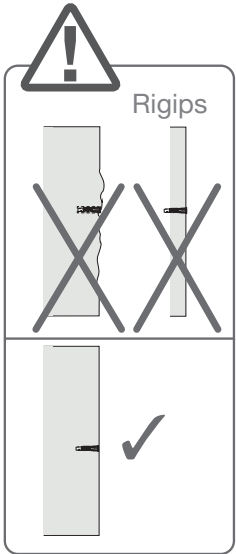
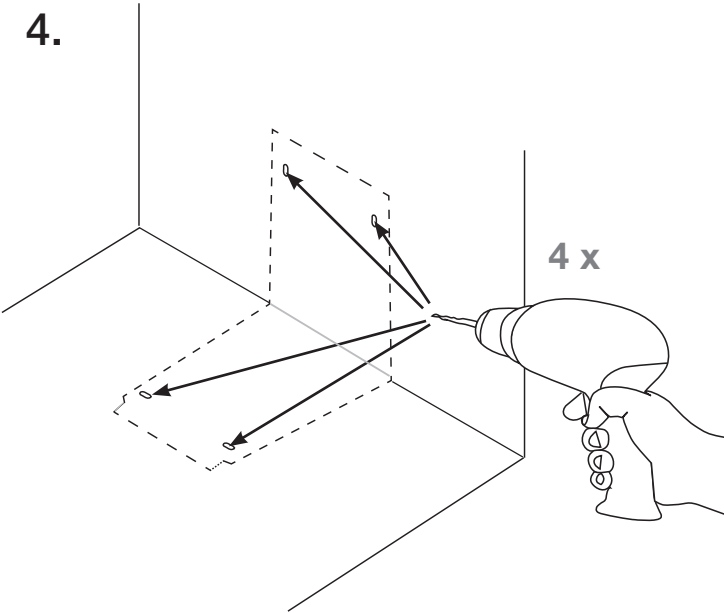
2.




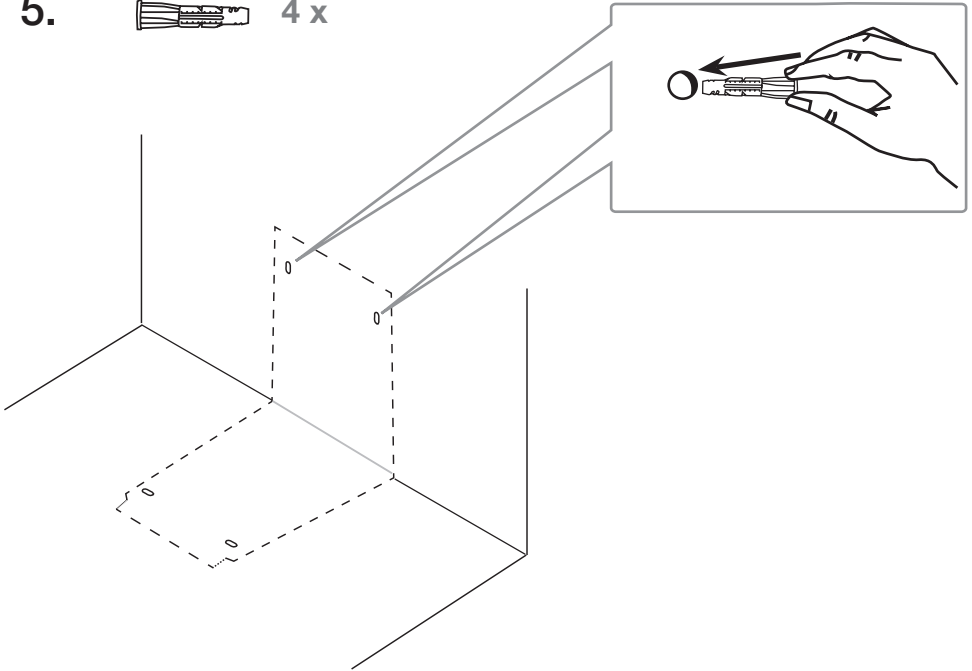
3.



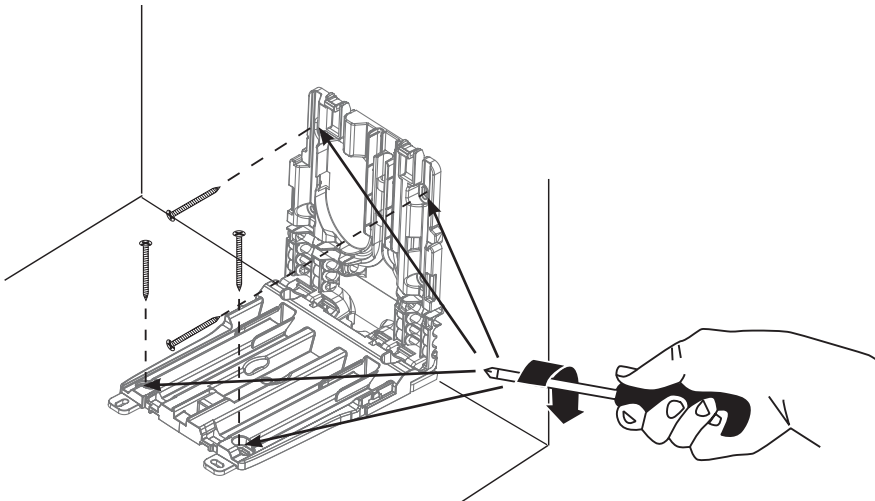
4.



5.  4 x



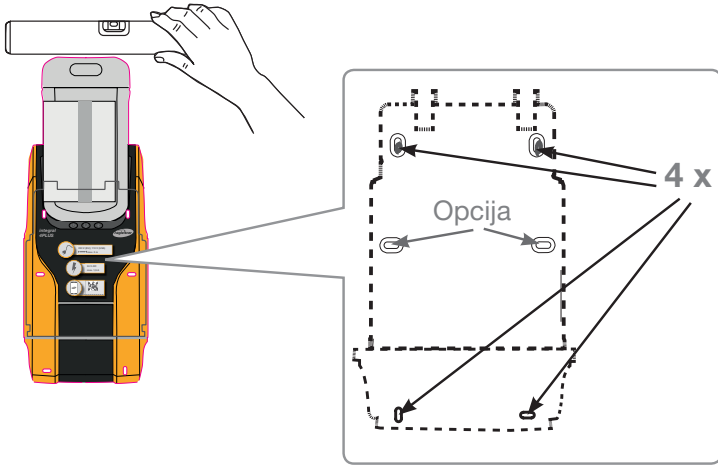
6.  4 x



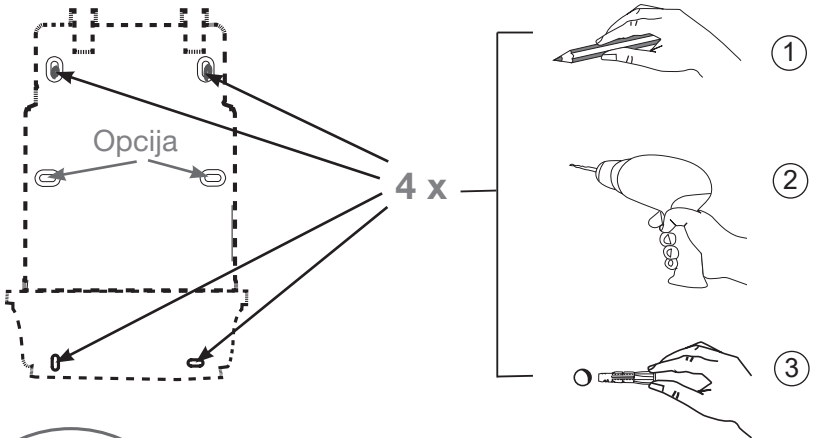
Montaža pojedinačnog dozatora na zidu / wall installation individual dispenser

1.

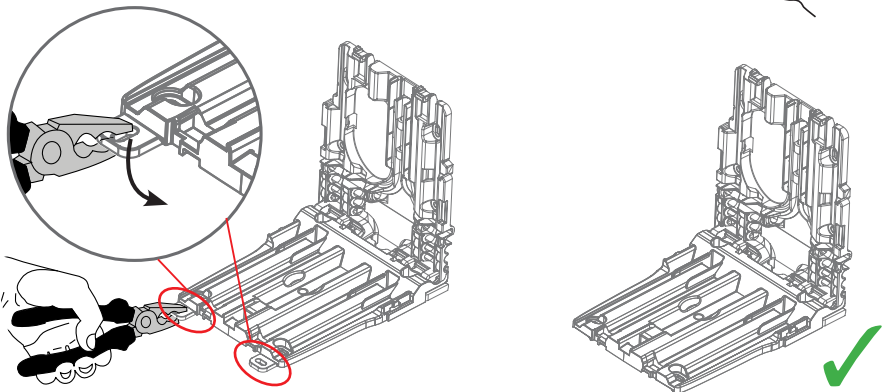
Stiker /
template



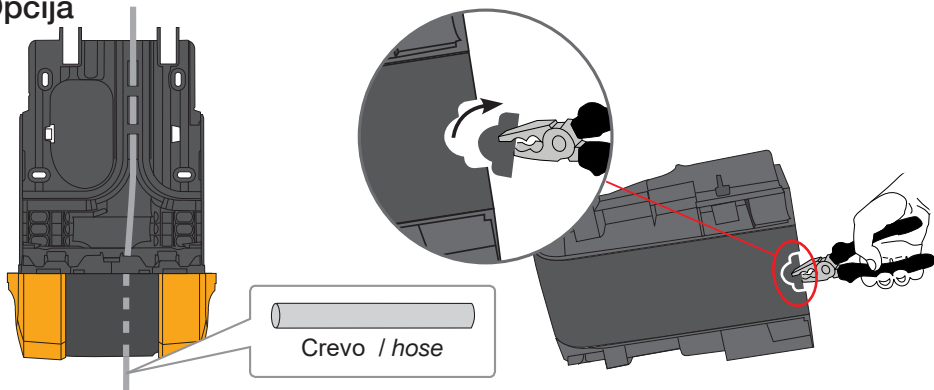
2.



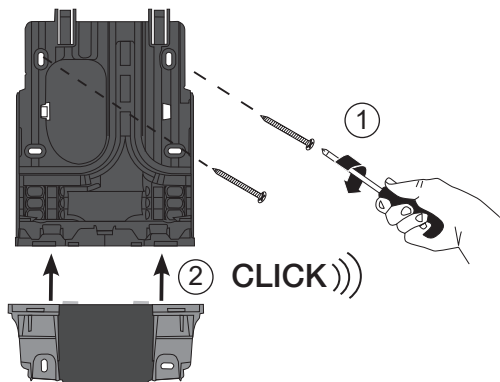
3.



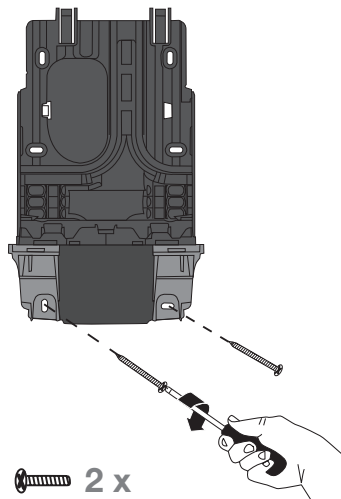
Opcija



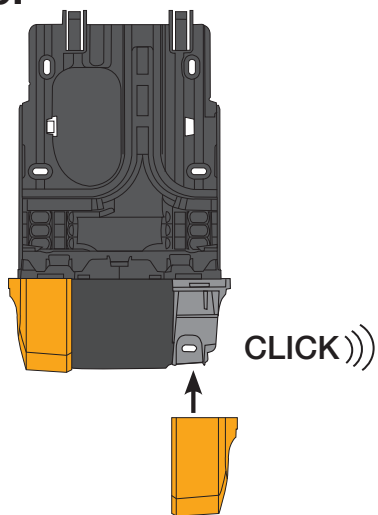
4.  2 x



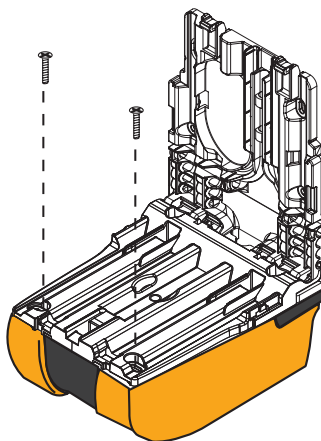
5.  2 x



6.



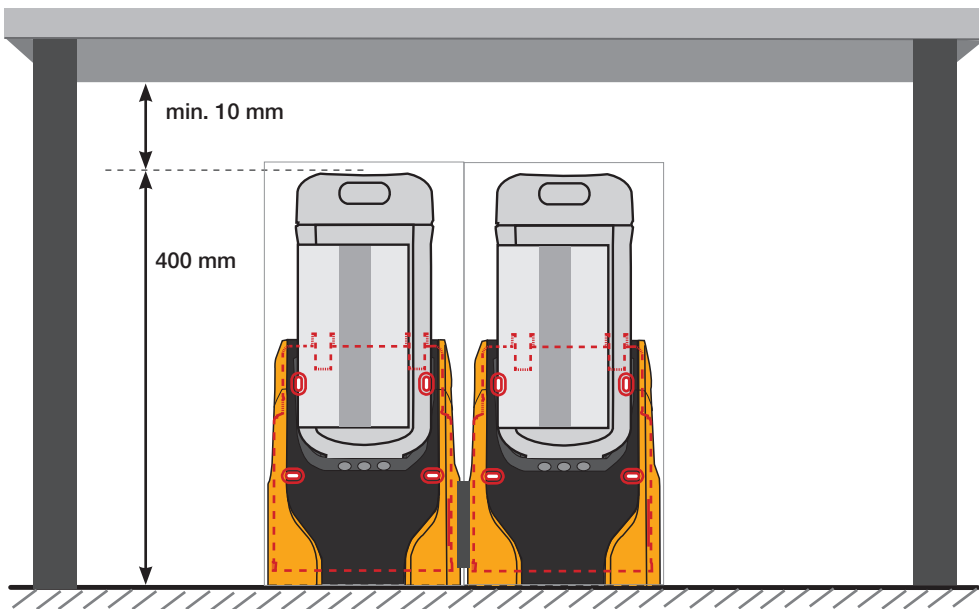
7.  2 x



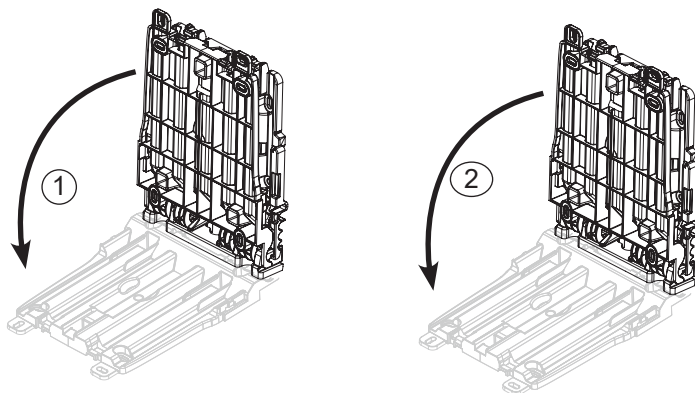
Montaža u nizu / Row installation

Montaža u nizu ispod stola / row installation under table

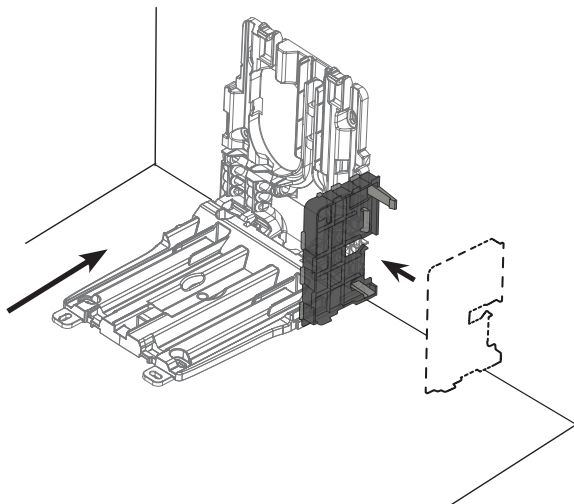
1.



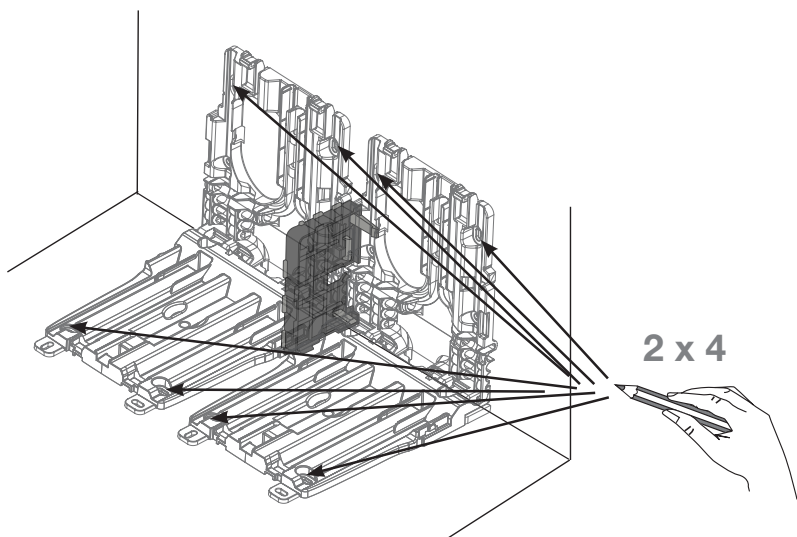
2.



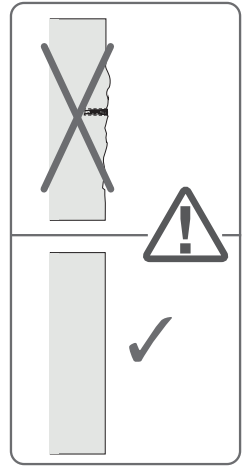
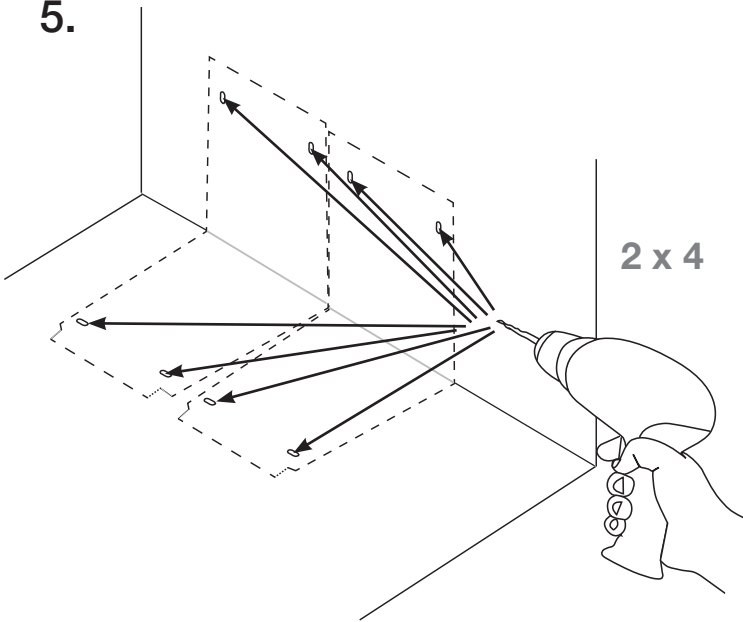
3.



4.



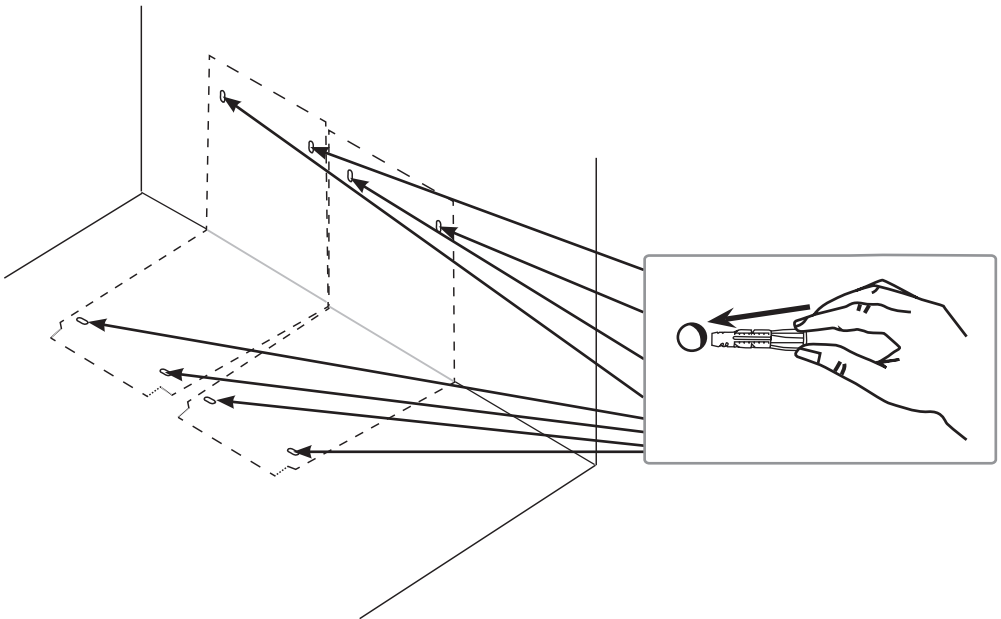
5.



6.



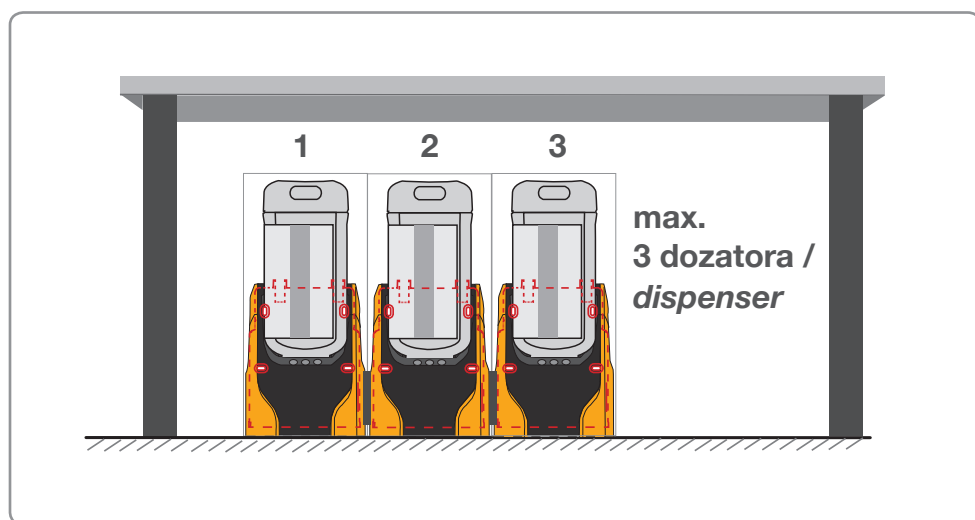
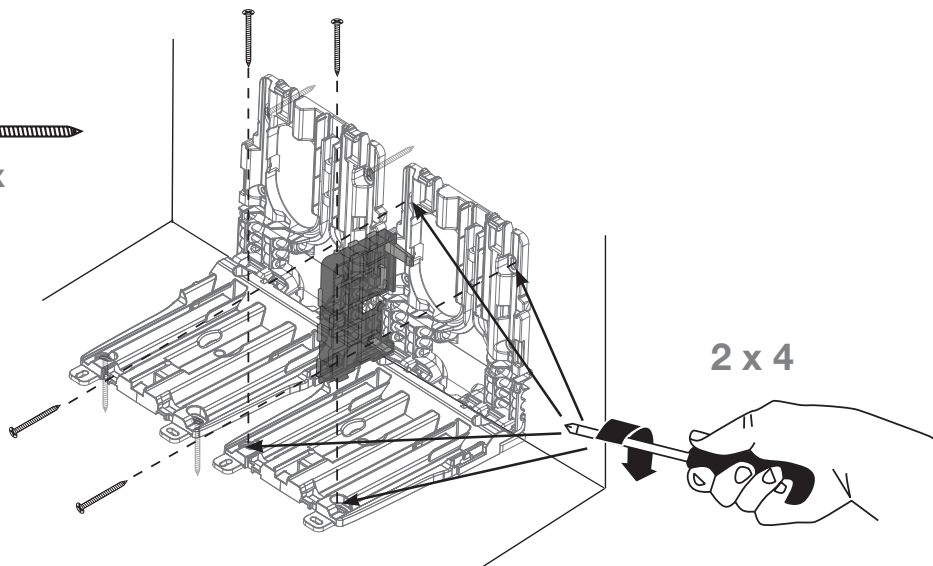
8 x



7.

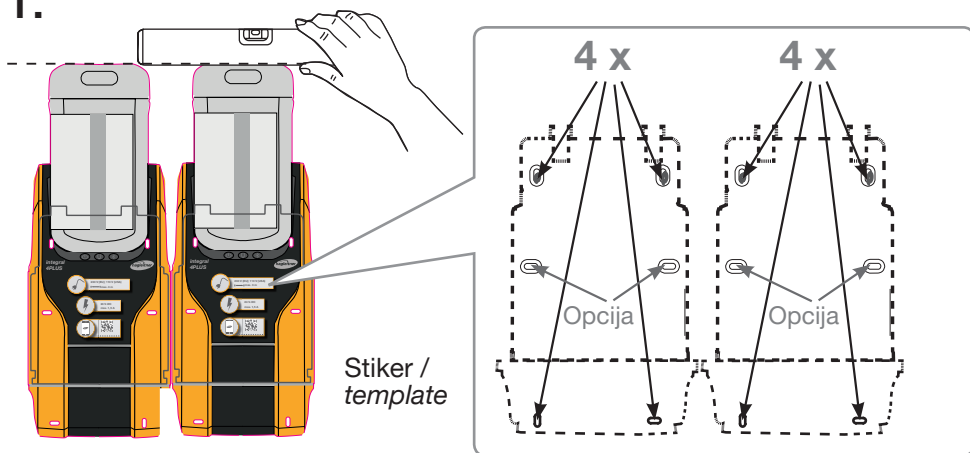


8 x



Montaža u nizu na zidu / row installation wall

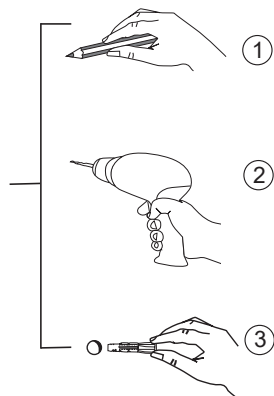
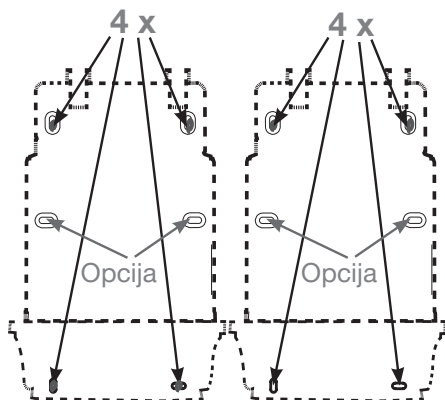
1.



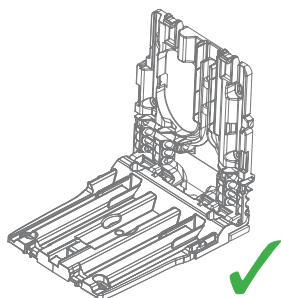
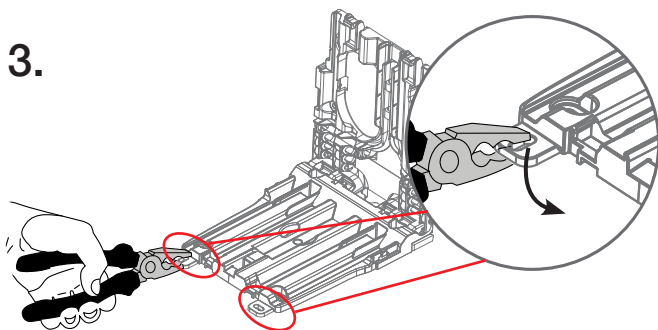
2.



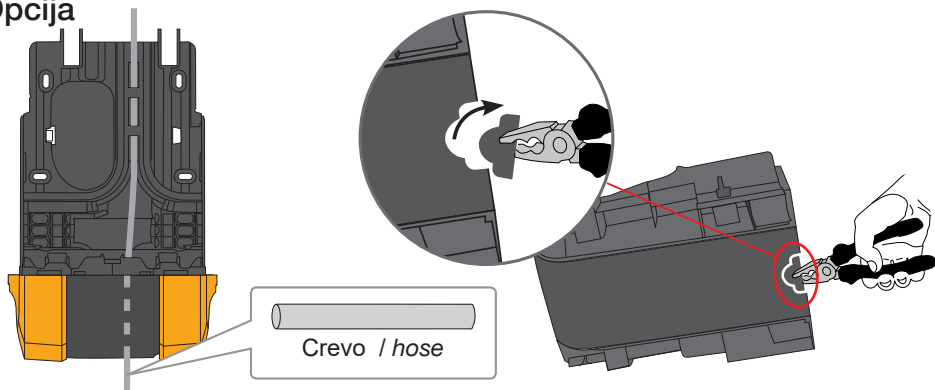
8 x



3.

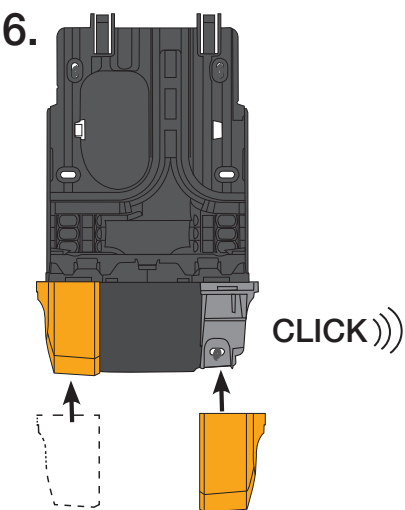
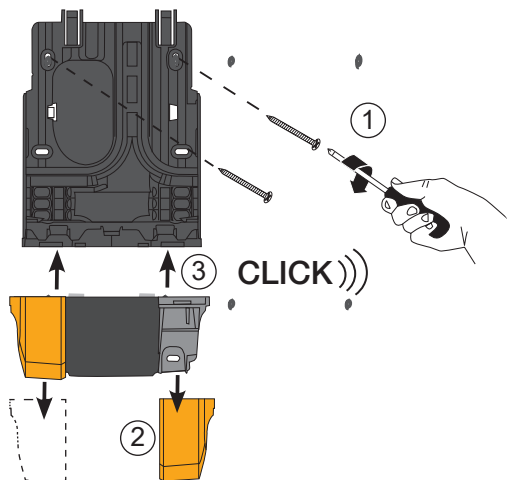


Opcija

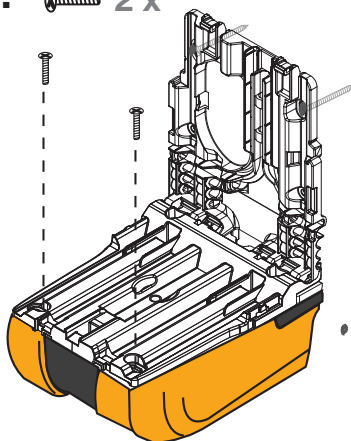


4. 2 x 2 x

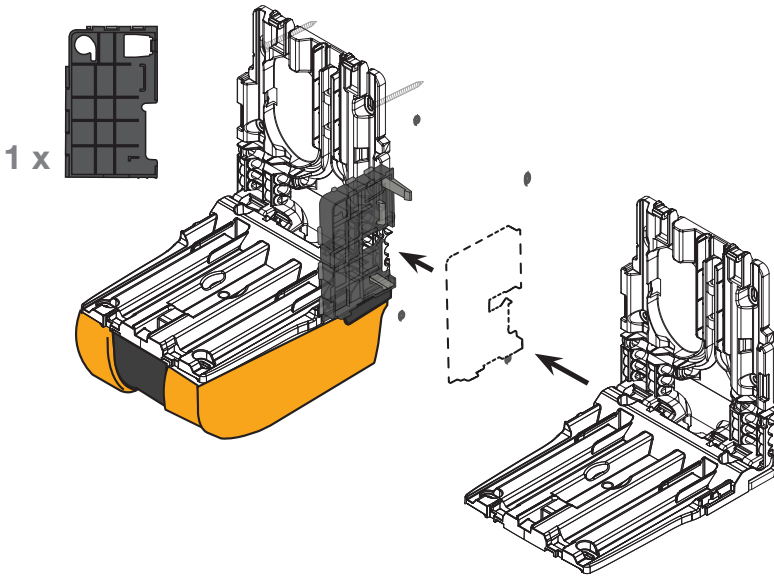
5. 2 x



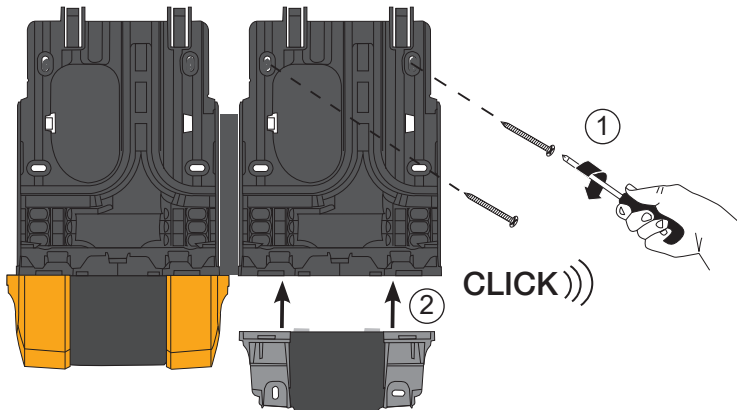
7. 2 x



8.

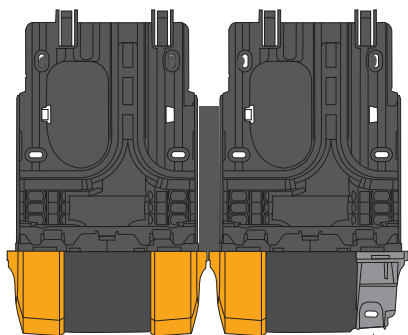
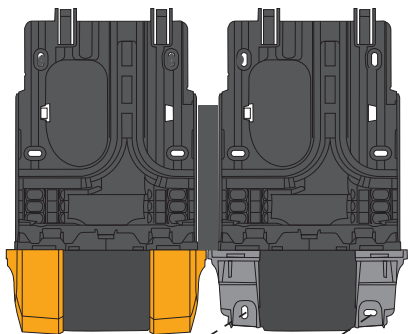


9.



10.  2 x

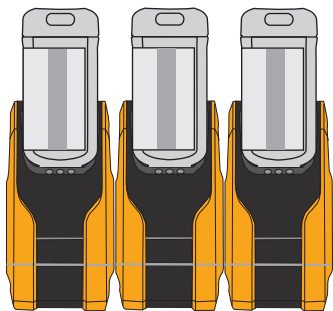
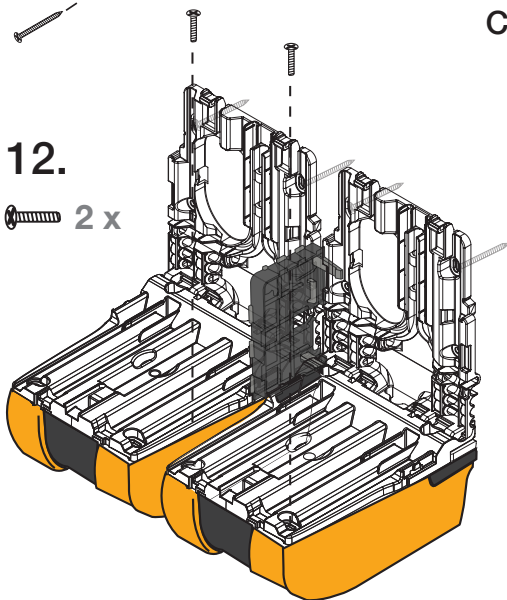
11.



CLICK))) 

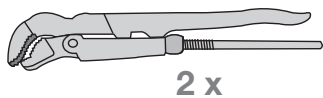
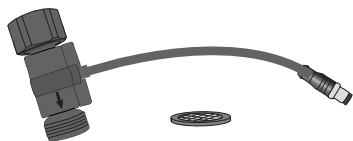
12.

 2 x

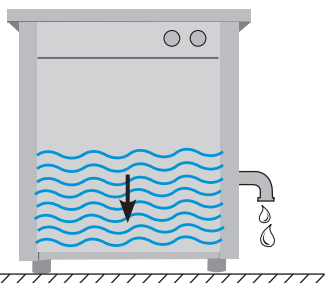
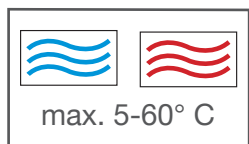


max.
3 dozatora /
dispenser

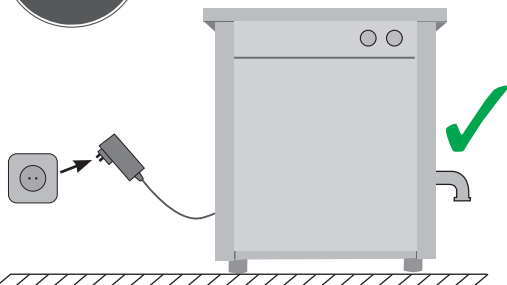
Montža integral 4PLUS FLOWMETER / installation integral 4PLUS FLOWMETER



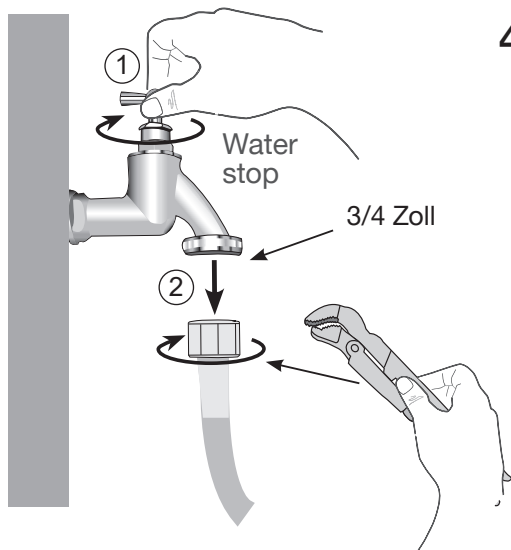
1.



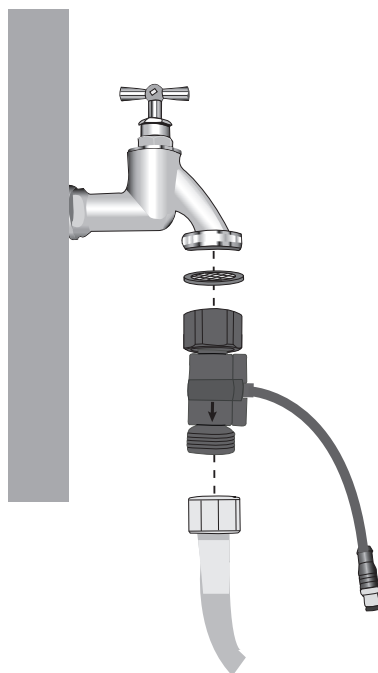
2.



3.

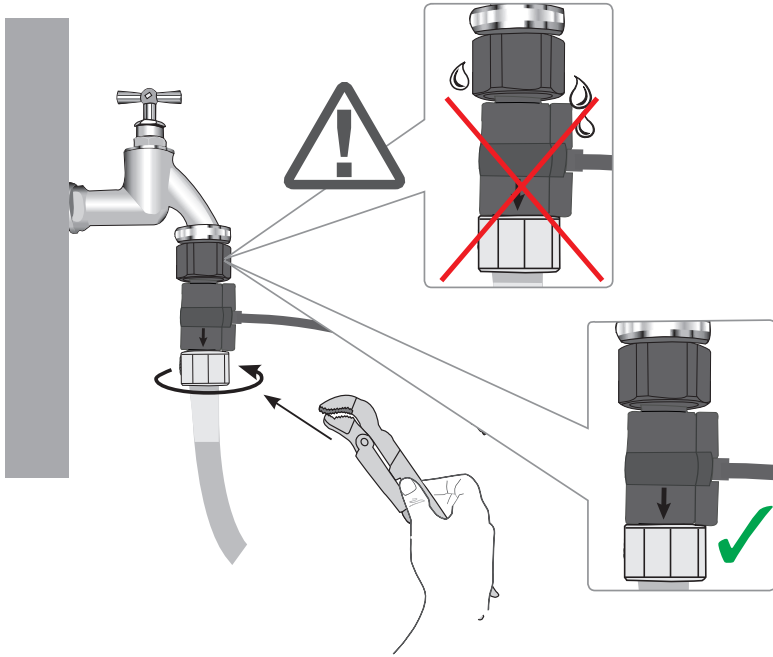


4.

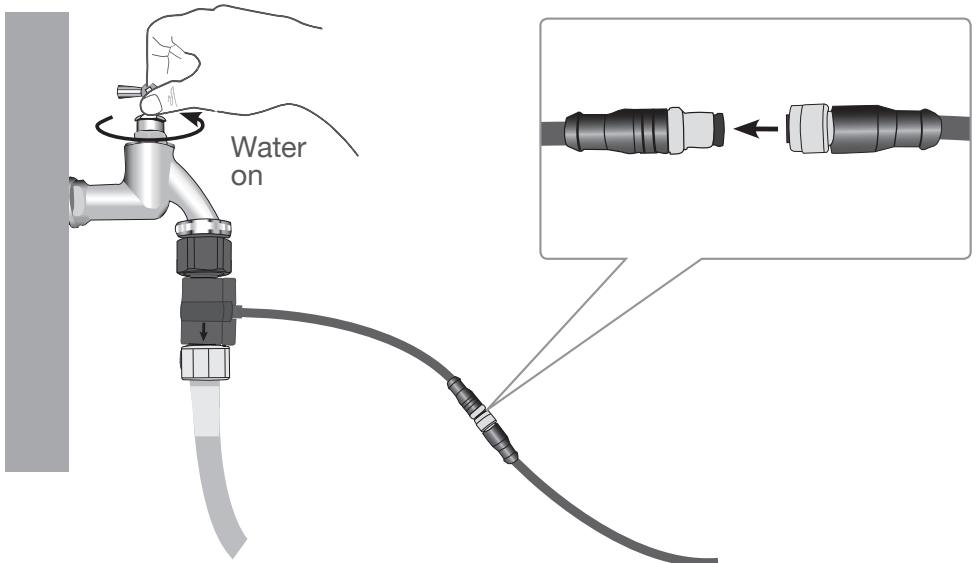
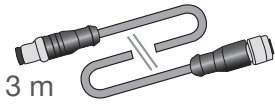


Priključak vode: 3 za mašinu za suđe/4 Zoll / water supply dish washer

5.

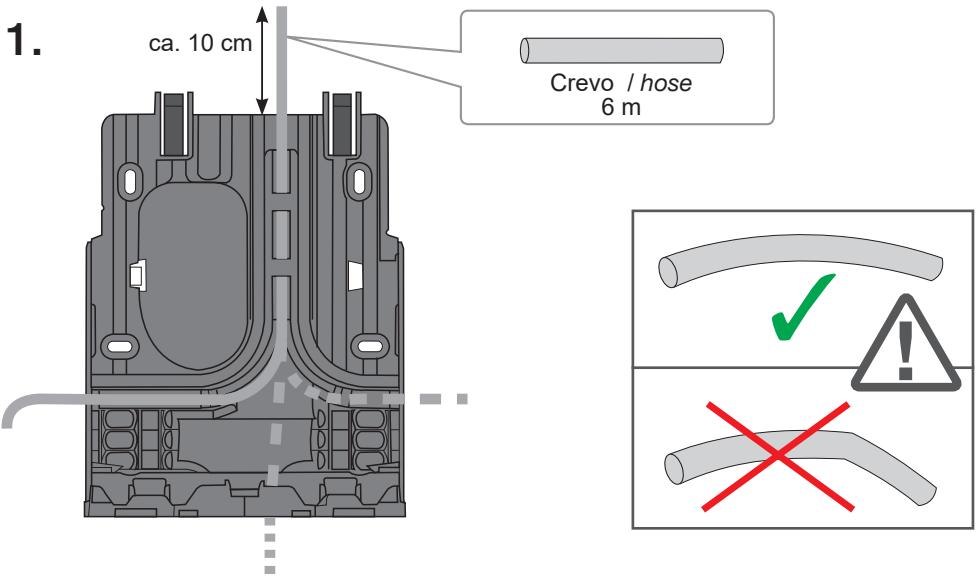


6.

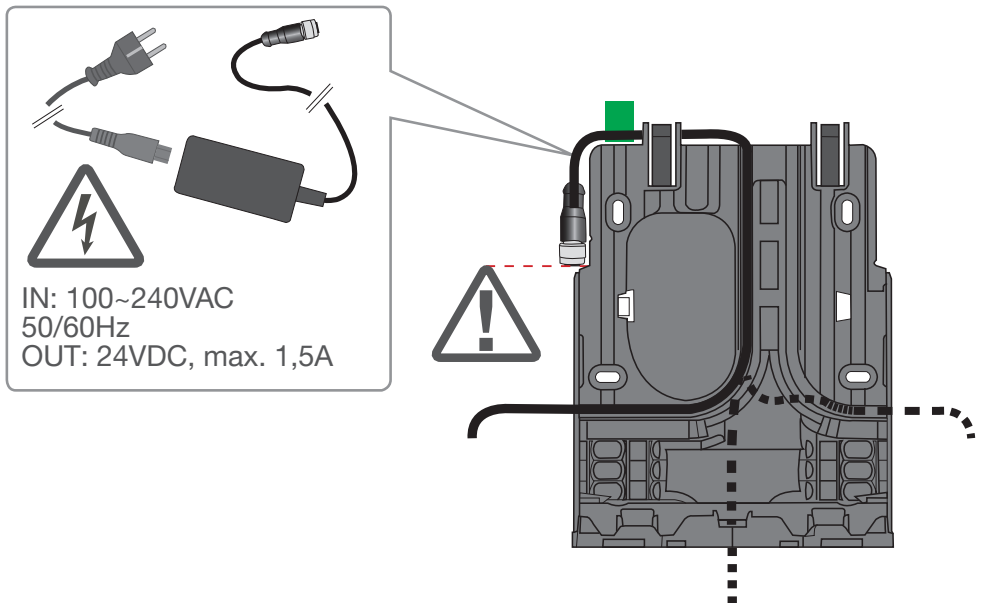


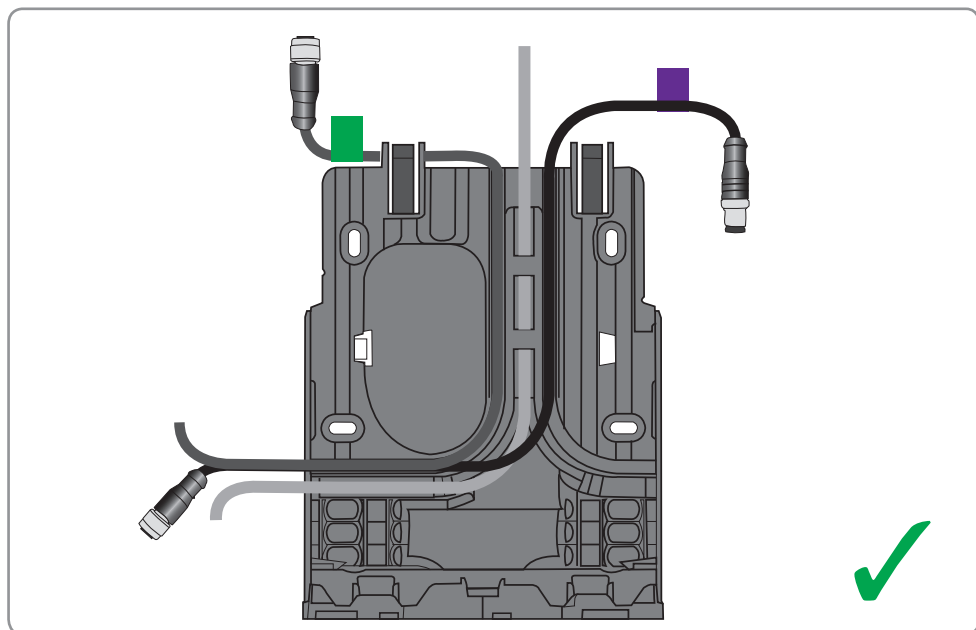
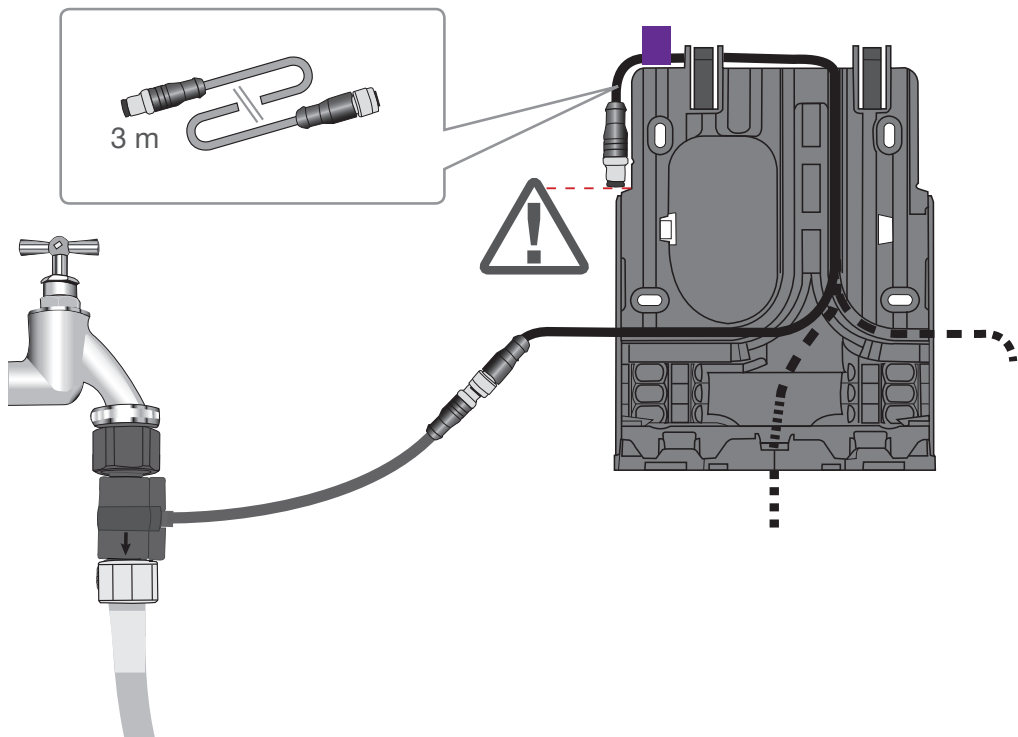
Polaganja creva & kablova pojedinačnog dozatora / hose and cable installation individual dispenser

Polaganja creva / hose installation

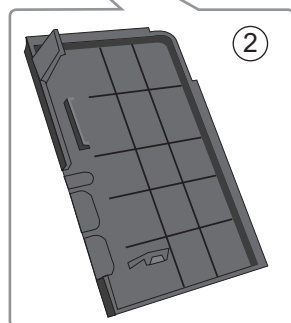
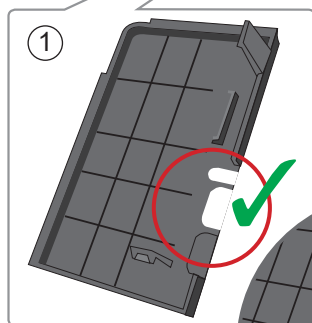
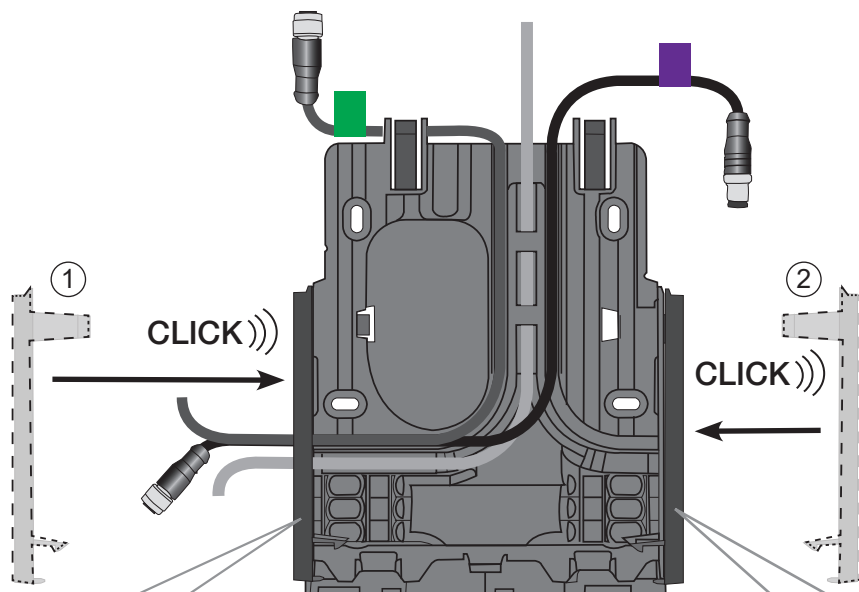
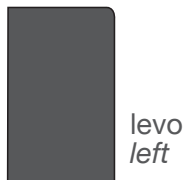


Polaganja kablova / cable installation

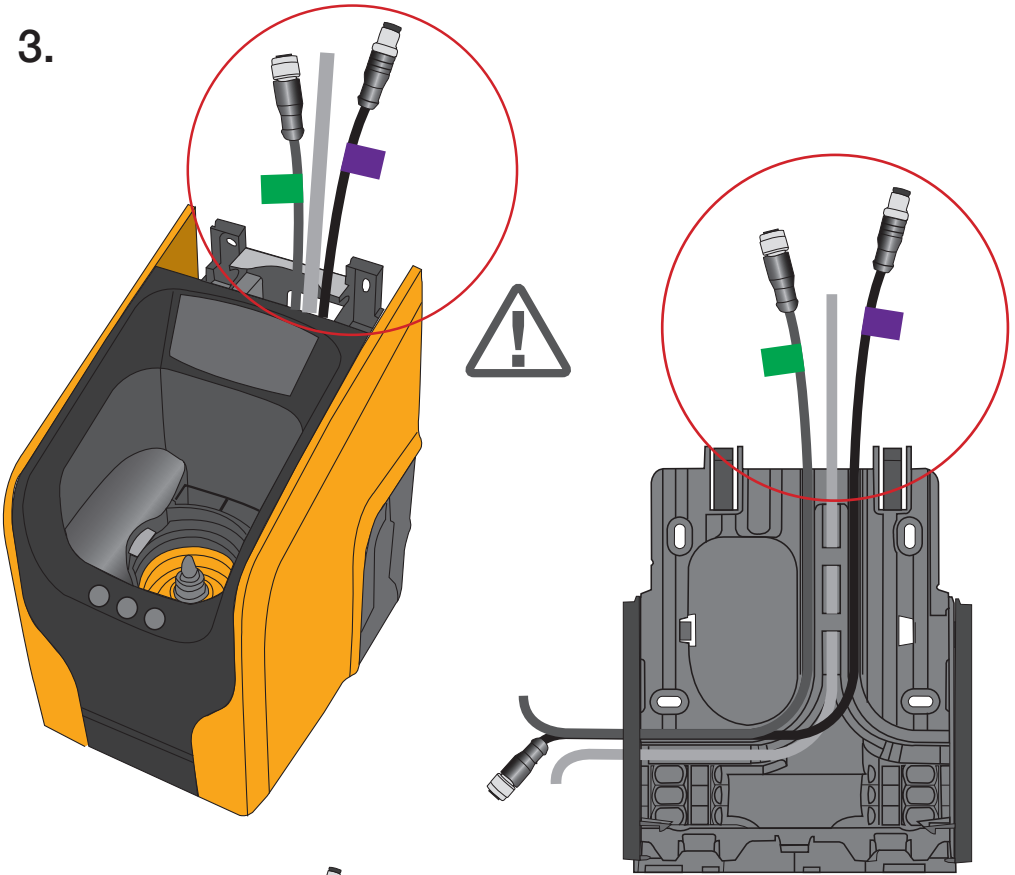




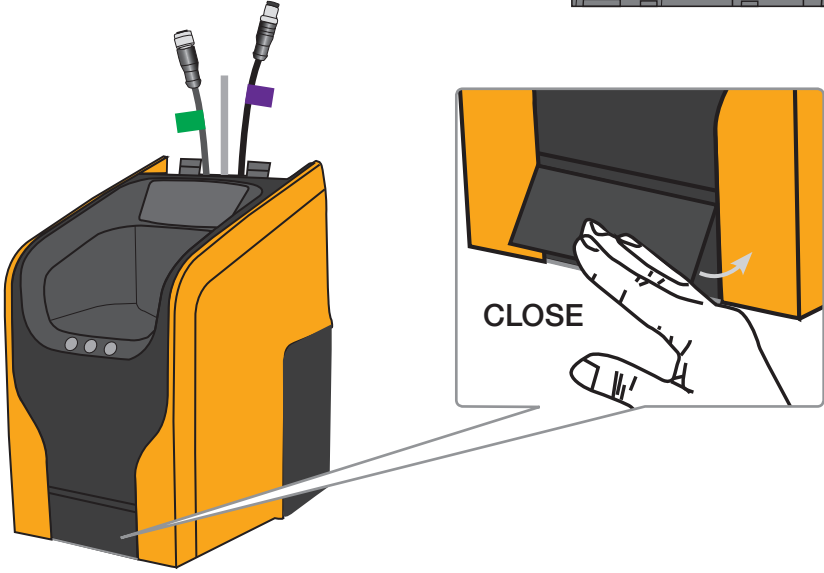
Postaviti delove sa strane / side part mounting



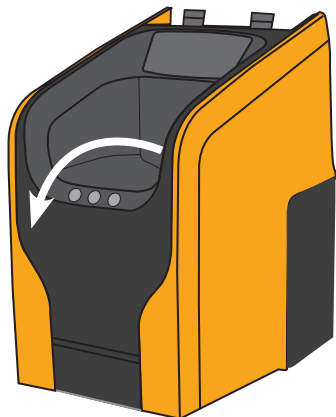
3.



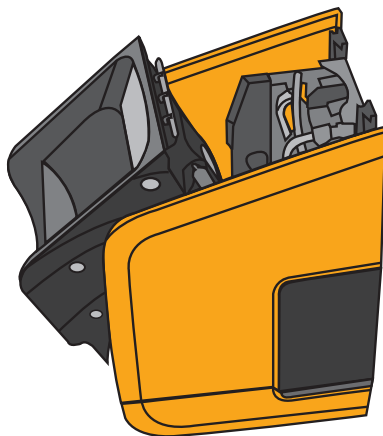
4.



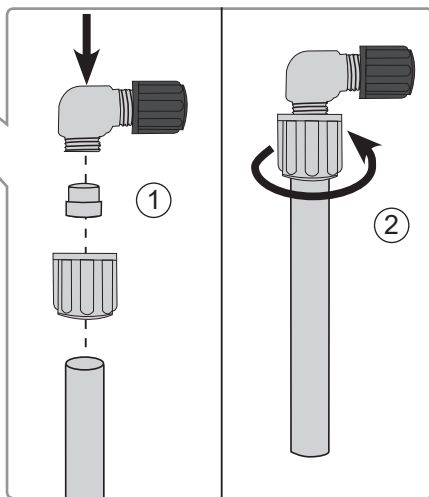
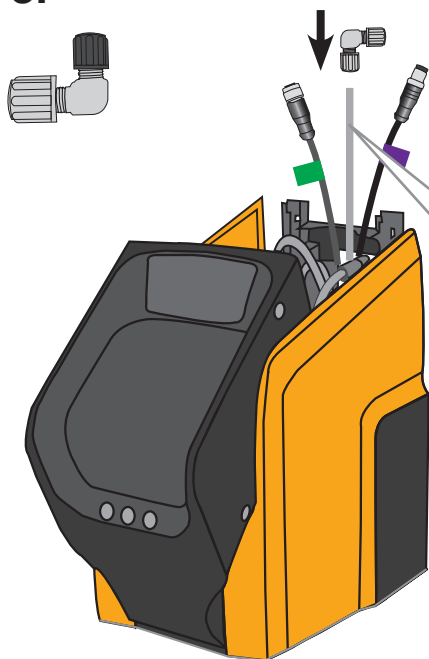
1.



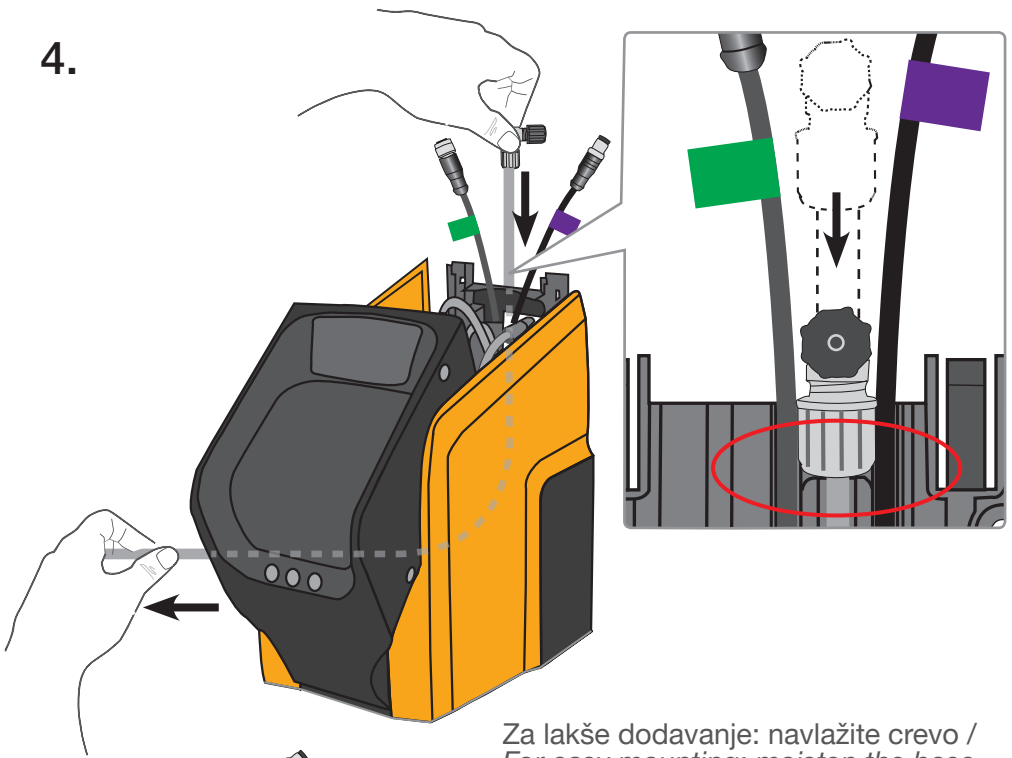
2.



3.

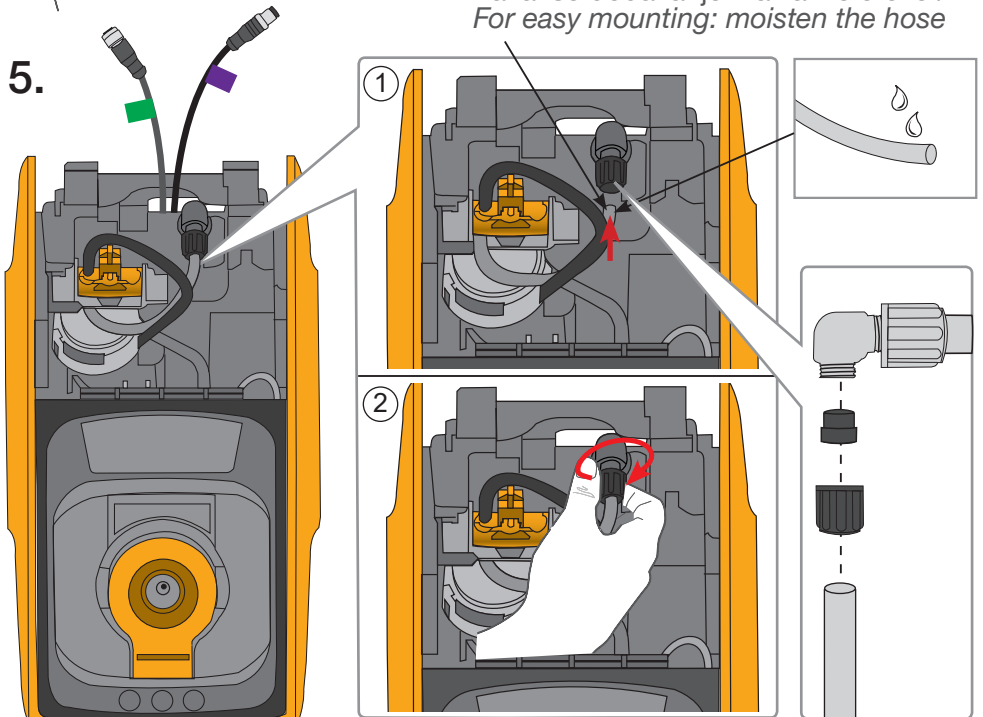


4.



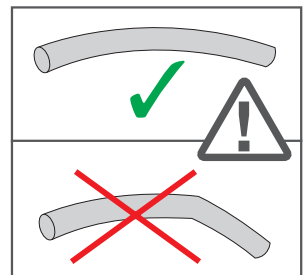
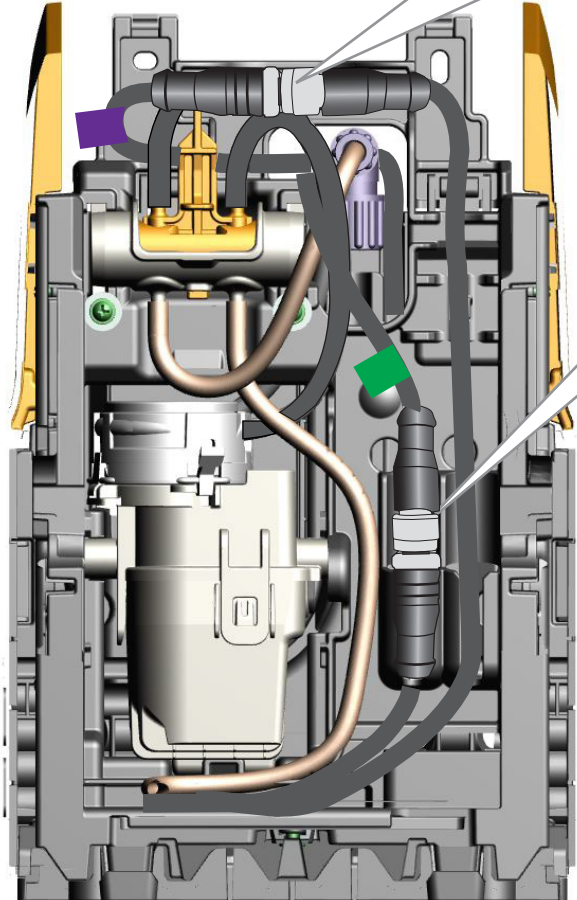
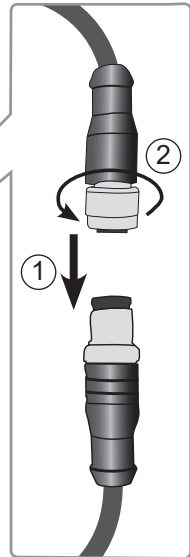
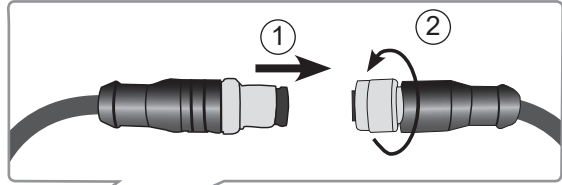
Za lakše dodavanje: navlažite crevo /
For easy mounting: moisten the hose

5.

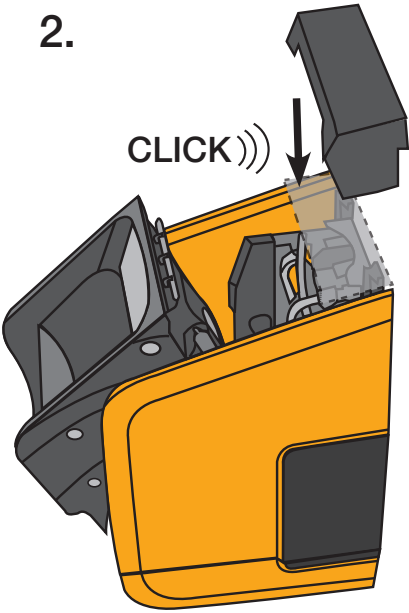


Kablove povezati / connecting cable

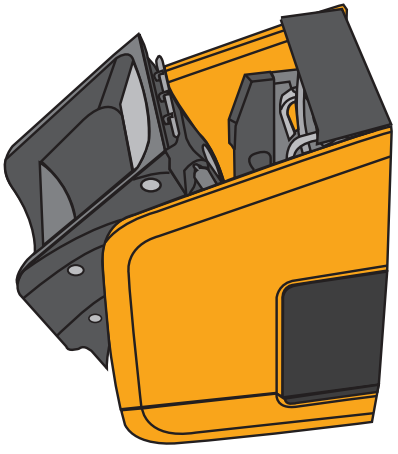
1.



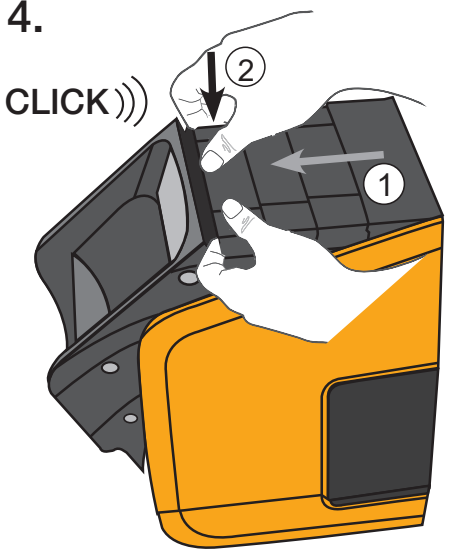
2.



3.



4.



Polaganja creva & kablova montaža u nizu / hose and cable installation row installation

Polaganja creva / hose installation

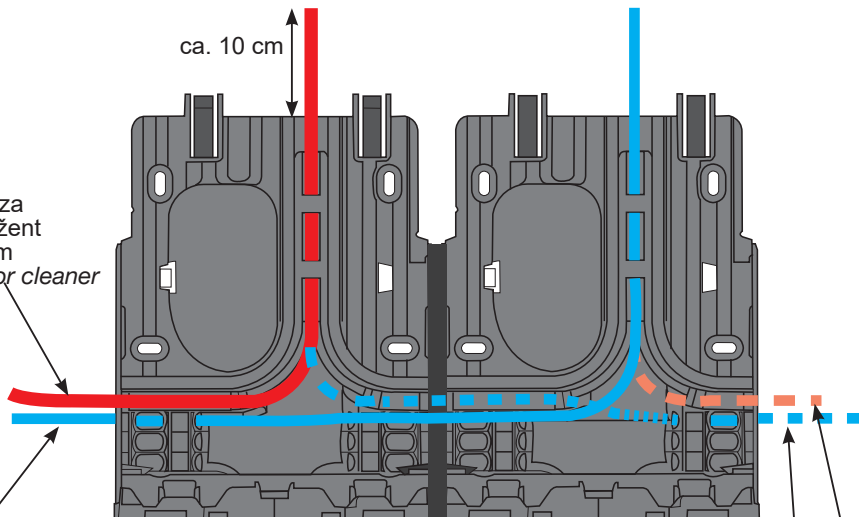
Dozator za deterđent /
dispenser cleaner

Dozator za sredstvo za sjaj /
dispenser rinse aid

1.

ca. 10 cm

Crevo za deterđent
Ø 8 mm
hose for cleaner

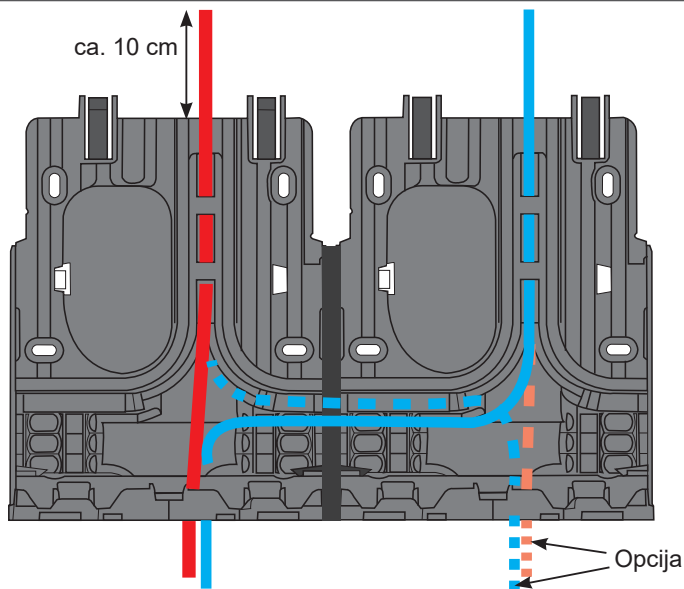


Crevo za sredstvo za sjaj / hose for rinse aid Ø 6 mm

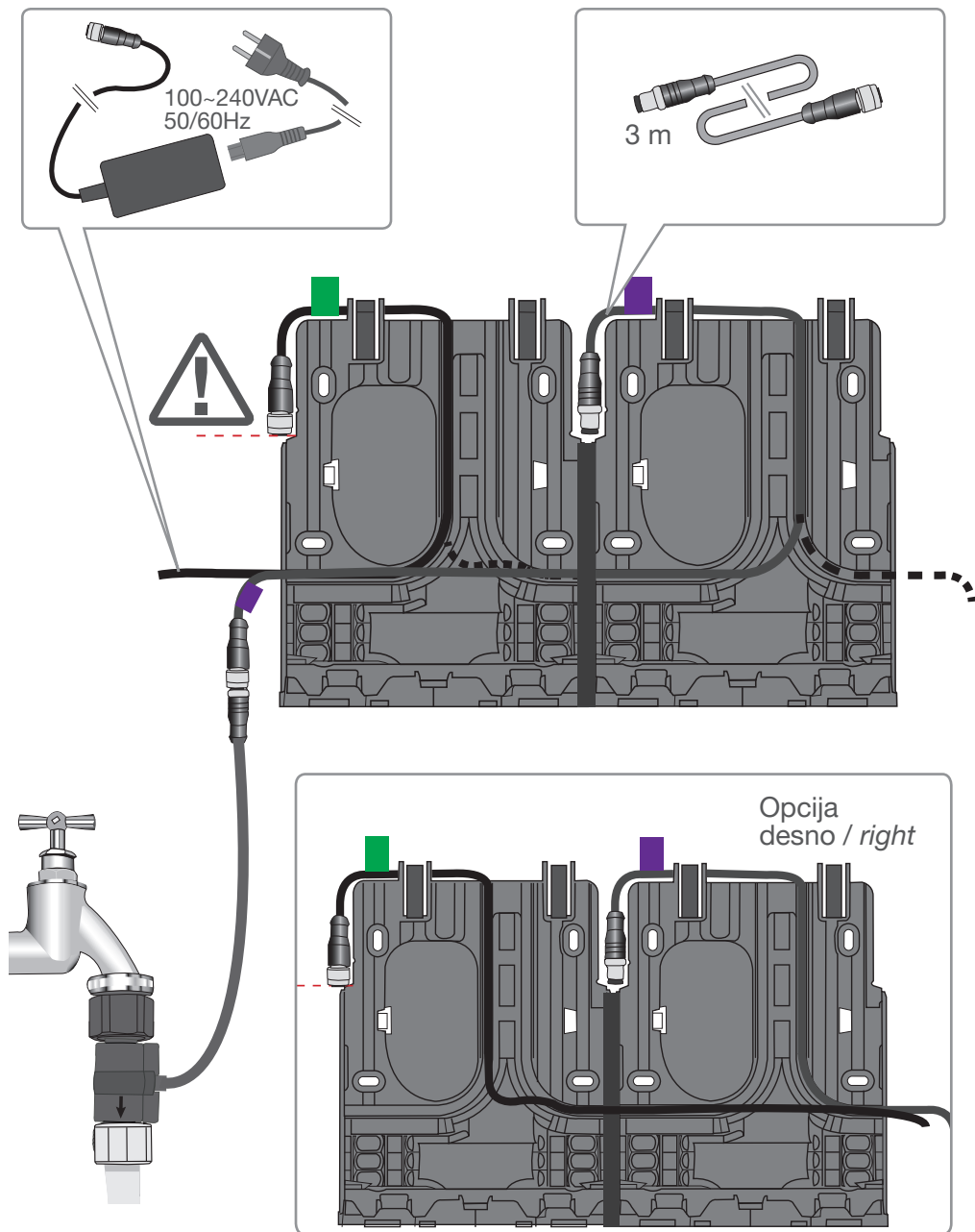
Opcija

Opcija

ca. 10 cm



Polaganja kablova / *cable installation*



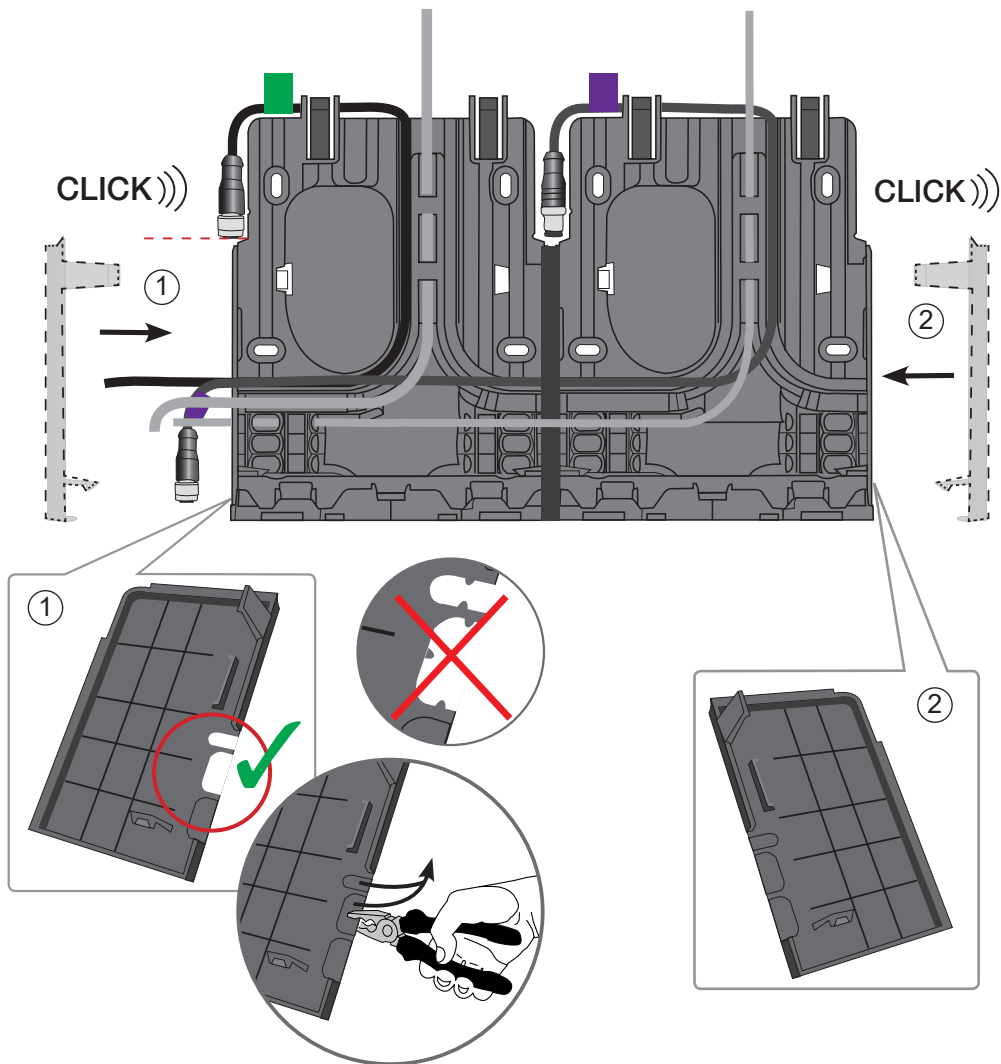
Postaviti delove sa strane / side part mounting



levo
left

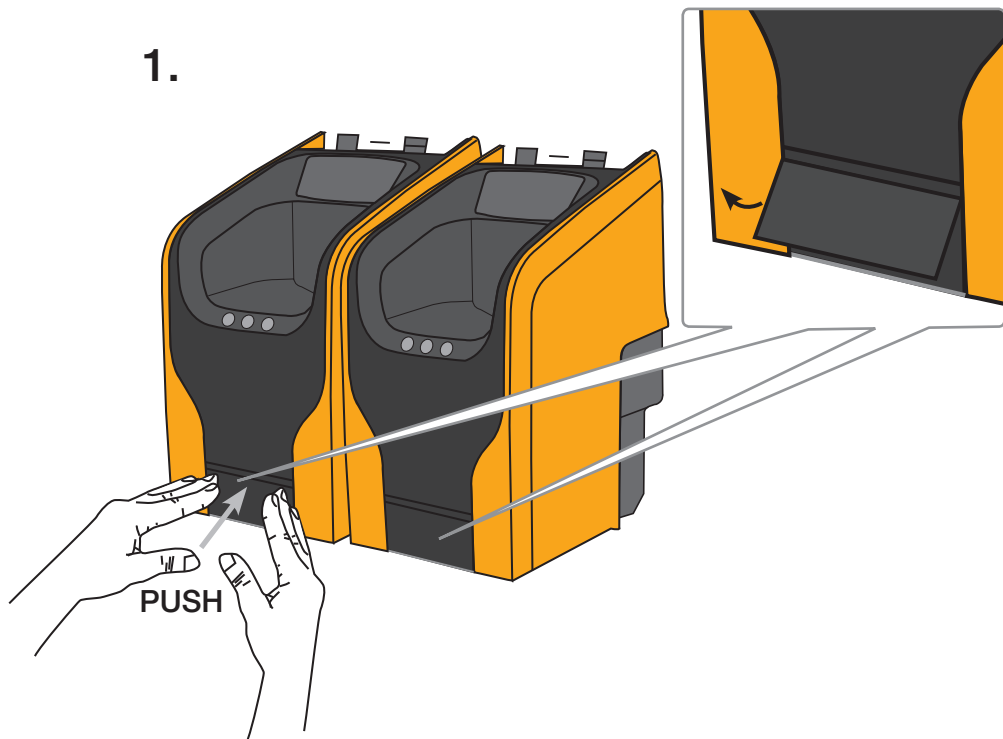


desno
right



Postaviti dozator / dispenser mounting

1.

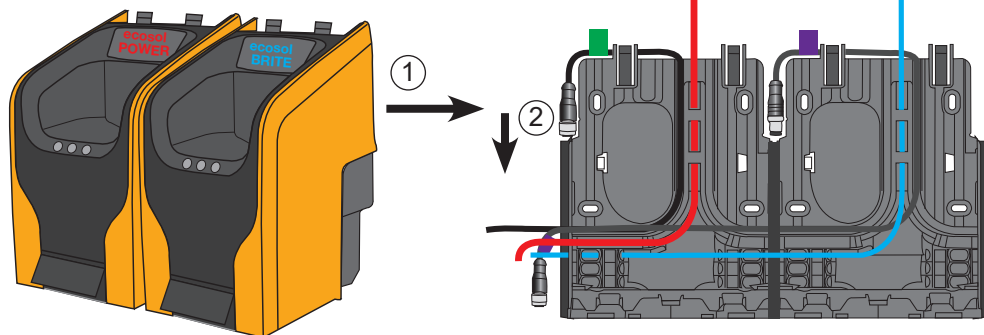


2.

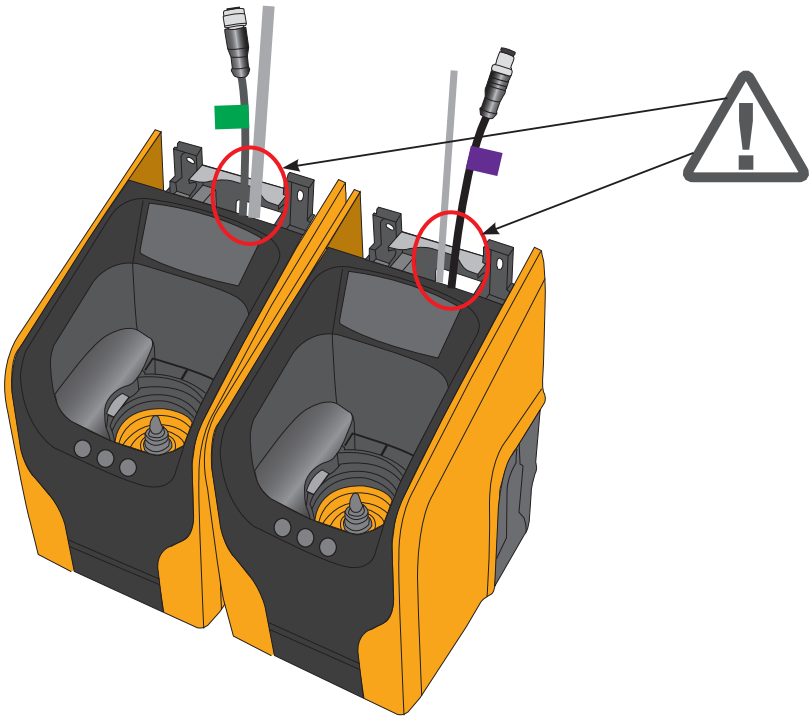


Dozator za deteržent /
dispenser cleaner

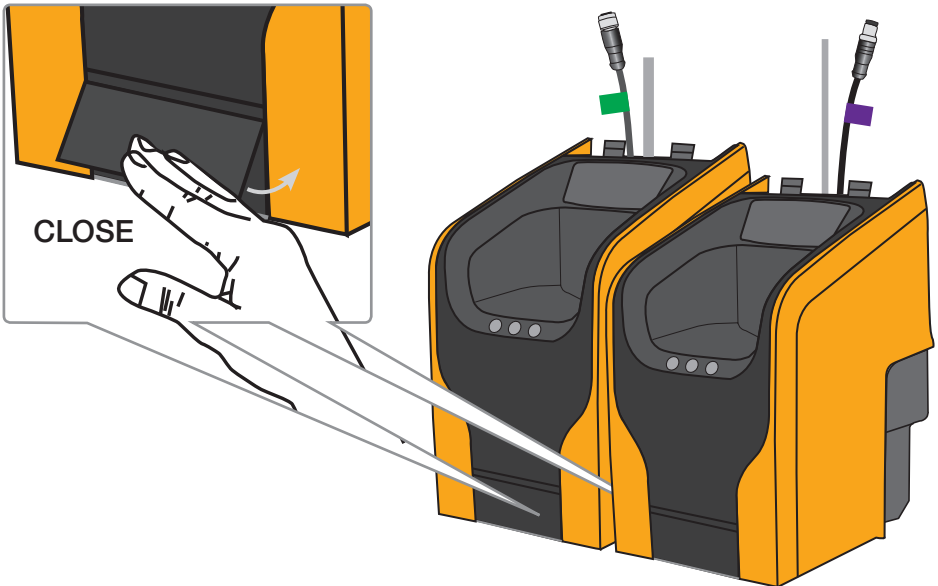
Dozator za sredstvo za
sjaj / dispenser rinse aid



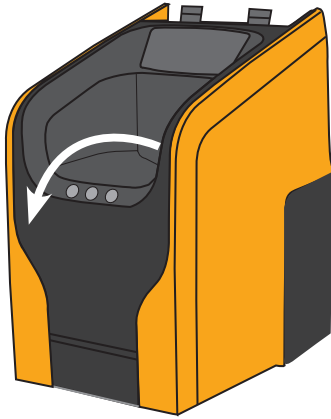
3.



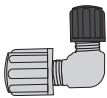
4.



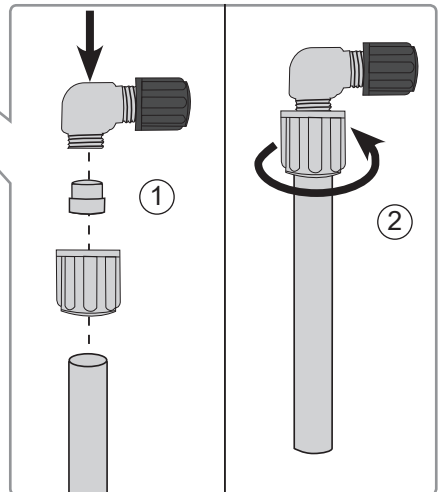
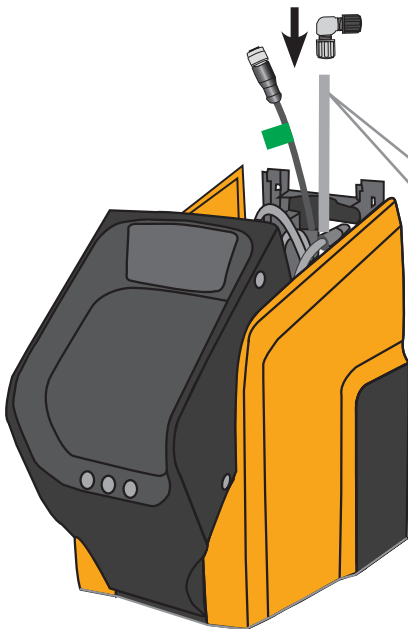
1.



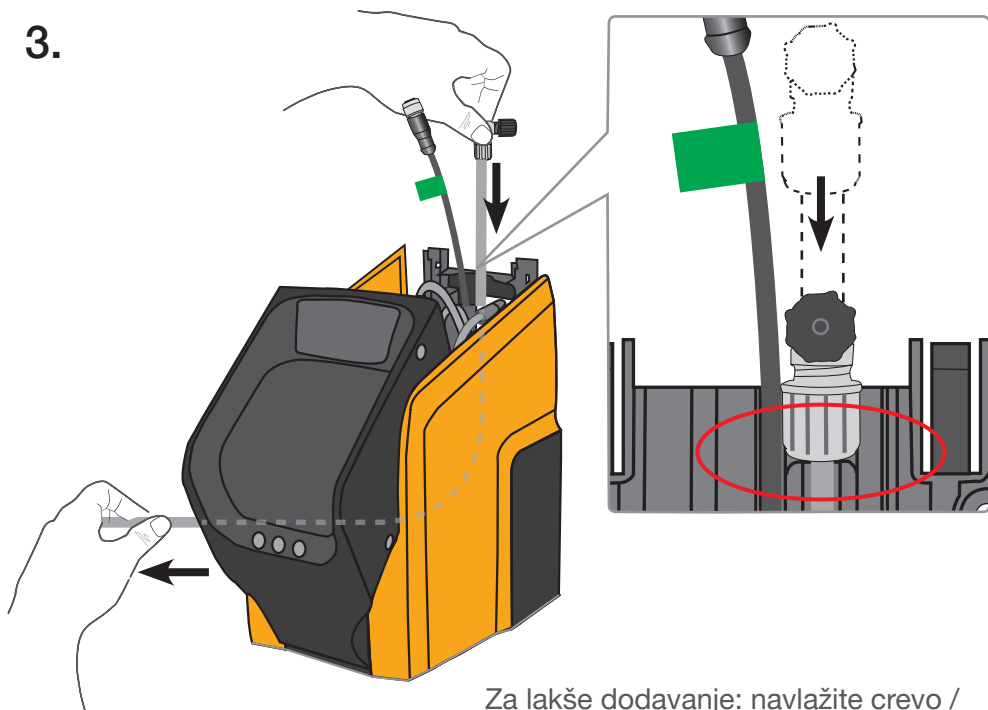
2.



Koristite ovde L-deo
„integral 4START POWER“
Use here the L-Part
„integral 4START POWER“

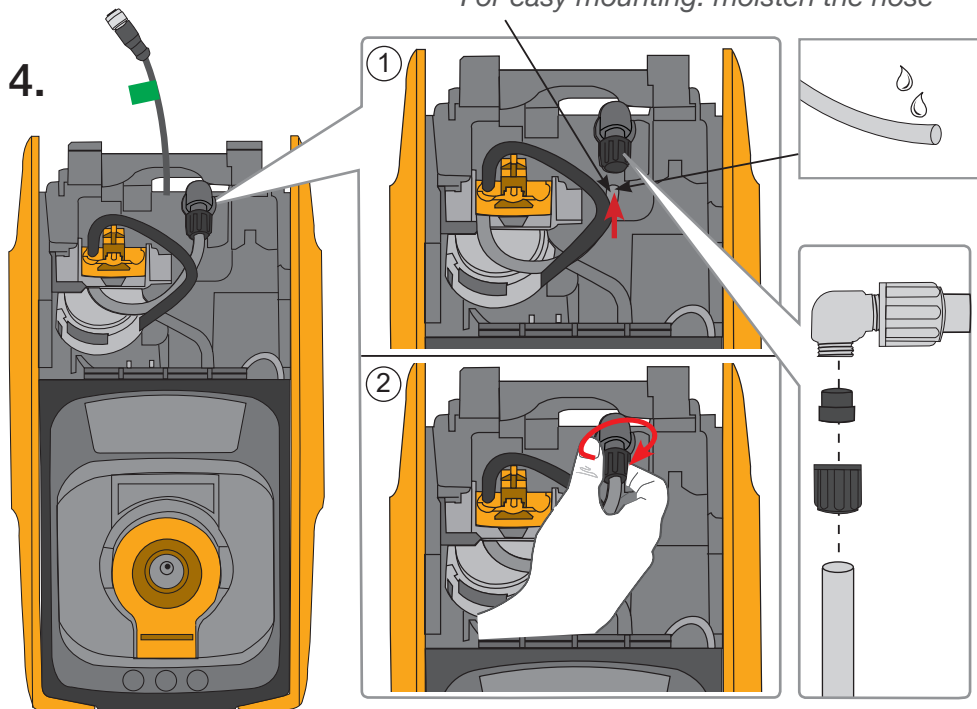


3.



Za lakše dodavanje: navlažite crevo /
For easy mounting: moisten the hose

4.

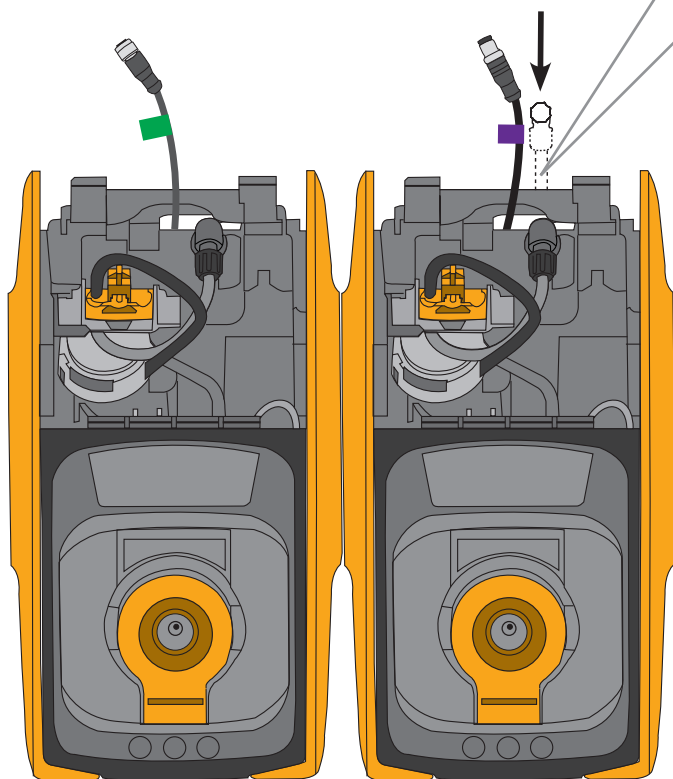
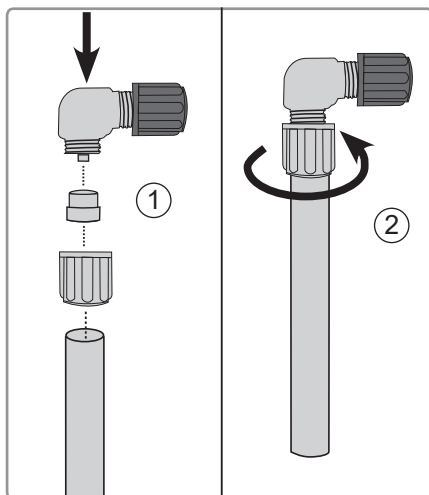


5.

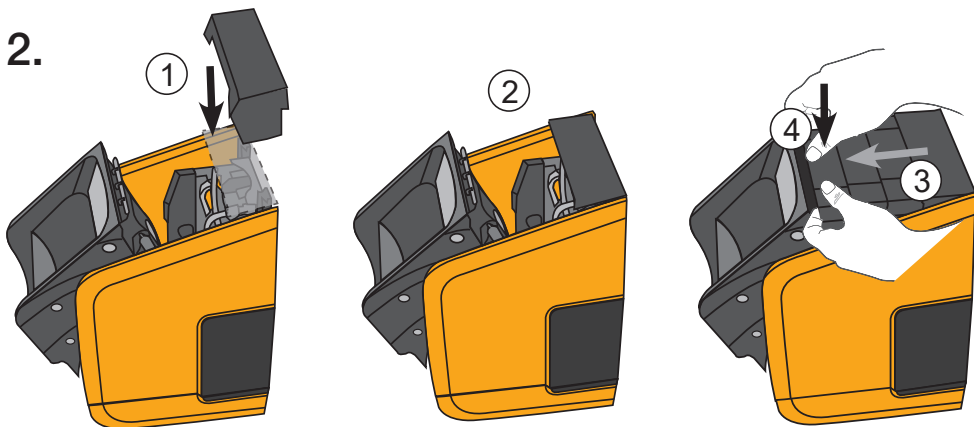
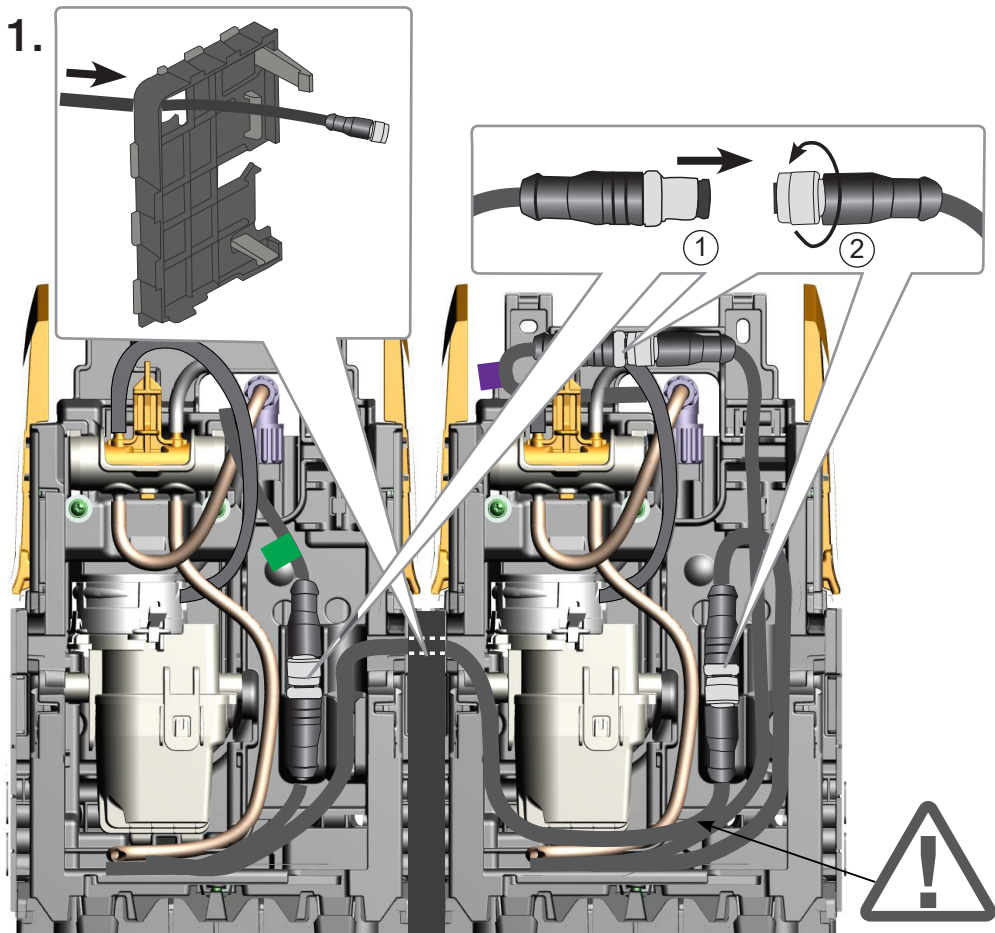


Koristite ovde L-deo
„integral 4START BRITE“
Use here the L-part
„integral 4START BRITE“

Ponovite korake 1-4 kod postavljanja
L-komada u dozatoru za sredstvo za sjaj.
Repeat steps 1-4 to fix the L-part in the
rinse-aid dispenser.

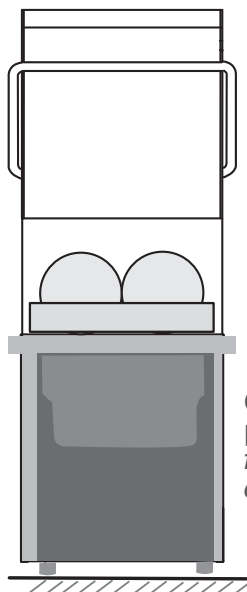


Kablove povezati / connecting cable



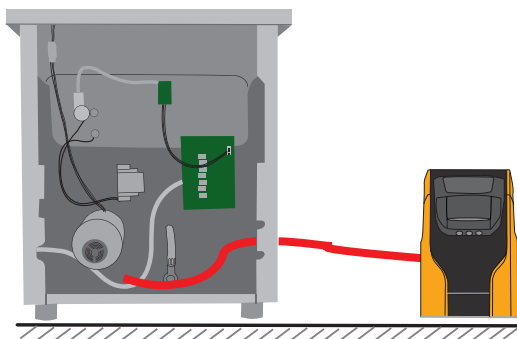
Montaža ulaza u rezervoar / installation tank inlet

1.



Otvorite poklopac /
front
open

2.



Creva uvući u mašinu, koristite za ovo predviđene ulaze u mašinu (zadnja strana).

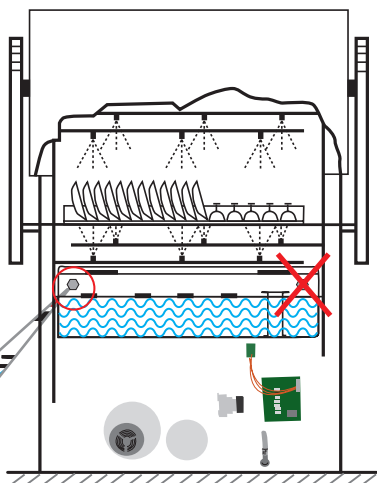
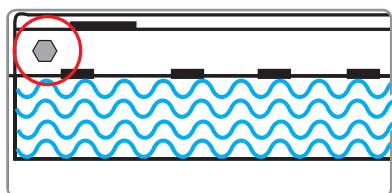
Use the machine inputs for hoses to put the hoses into the machine.

pozicija ulaz u tank

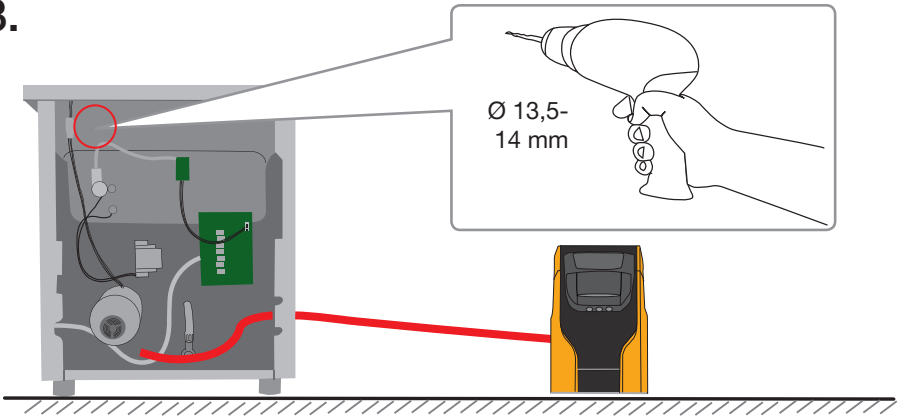
1. U tanku za pranje mašine
2. Ispod korpe
3. Iznad nivoa vode
4. Ne direktno iznad motora ili platina
5. Lak pristup i vidljiv (otvorene mašine)

Position tank inlet:

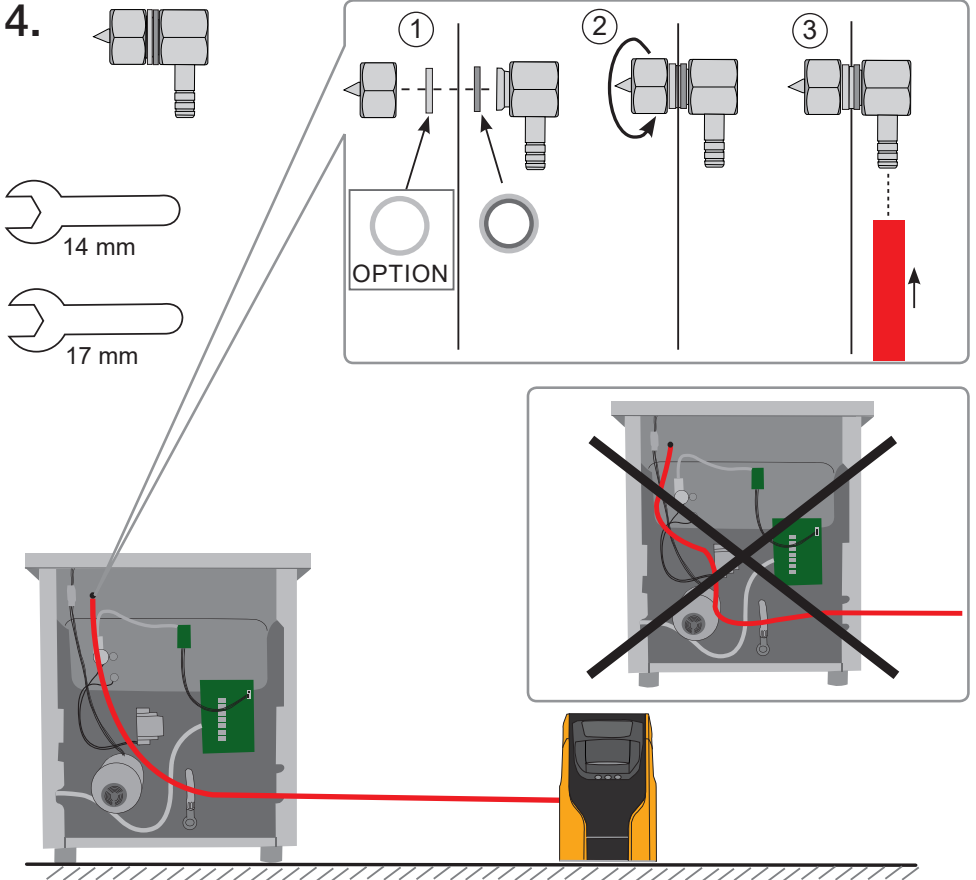
1. In the washing tank of the machine
2. Below the basket guide rail
3. Above water level
4. Not directly above motors or boards
5. Easy to access and visible (open machine)



3.

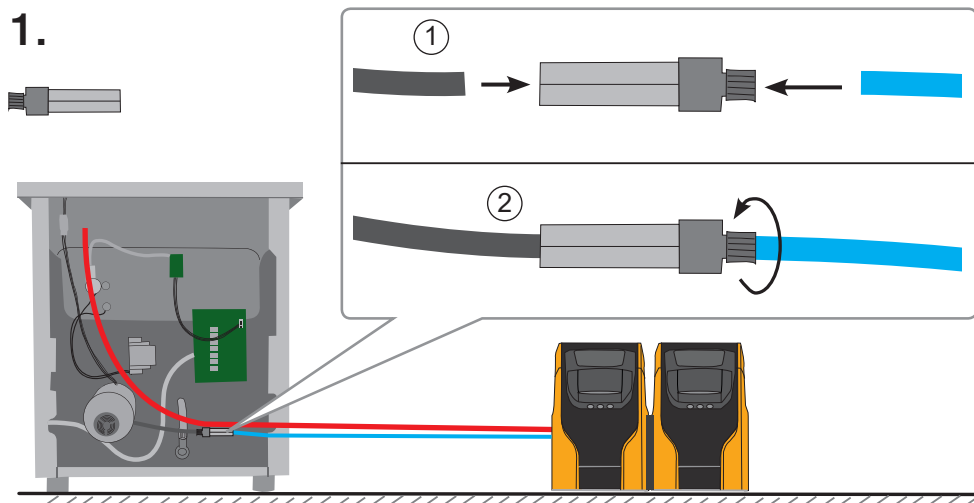


4.

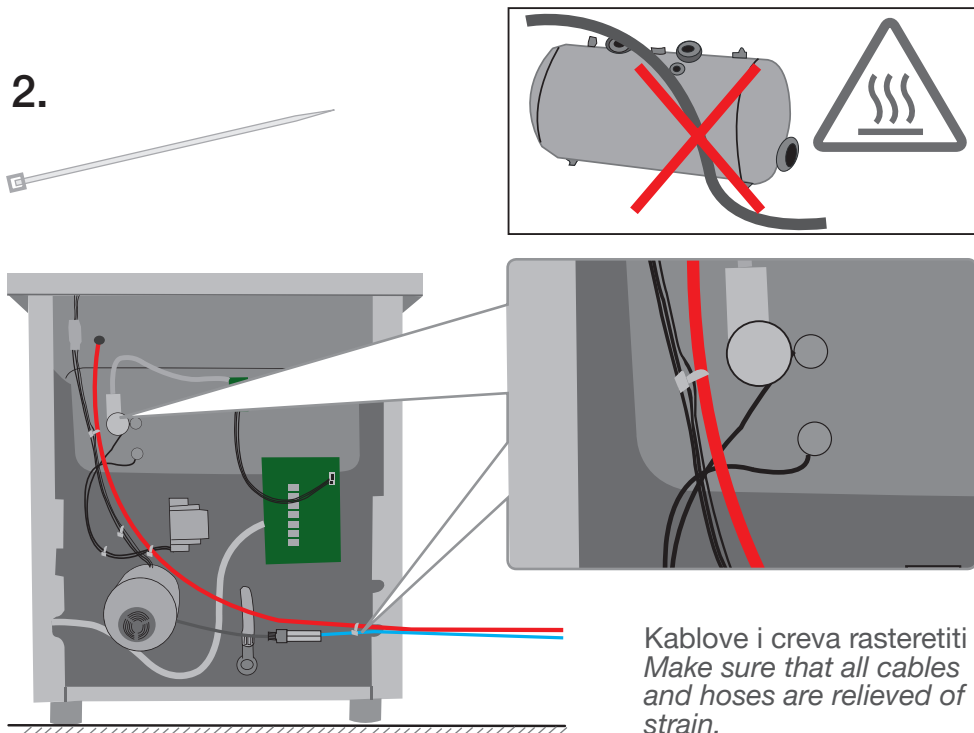


Montaža povratni ventil / installation check valve

1.



2.



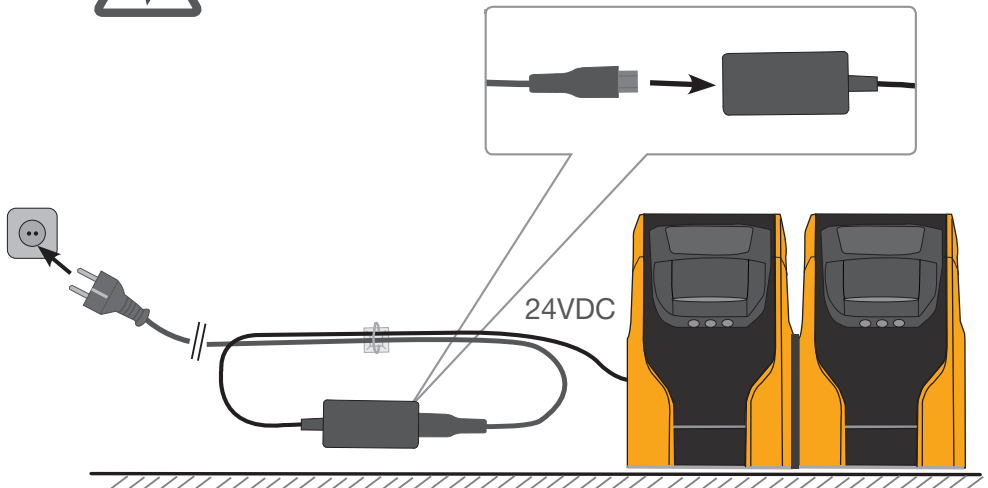
Kablove i creva rasteretiti
Make sure that all cables
and hoses are relieved of
strain.

Priključak struje / power connection

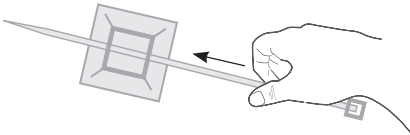
1.



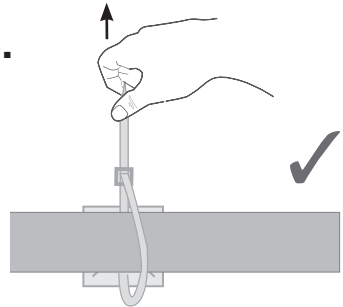
100~240VAC
50/60Hz



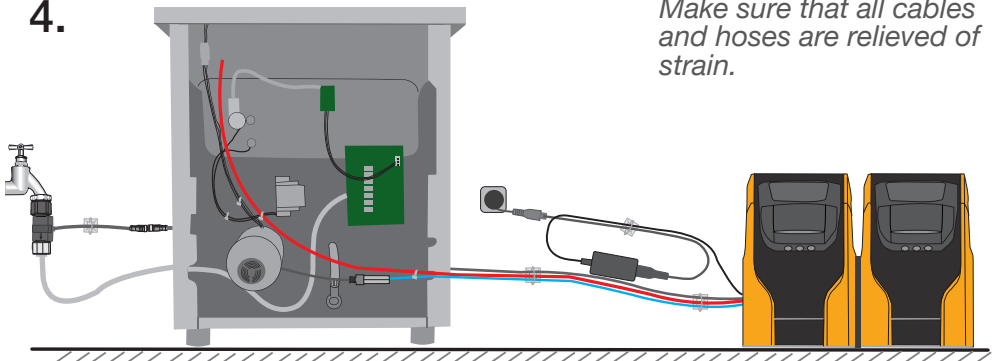
2.



3.



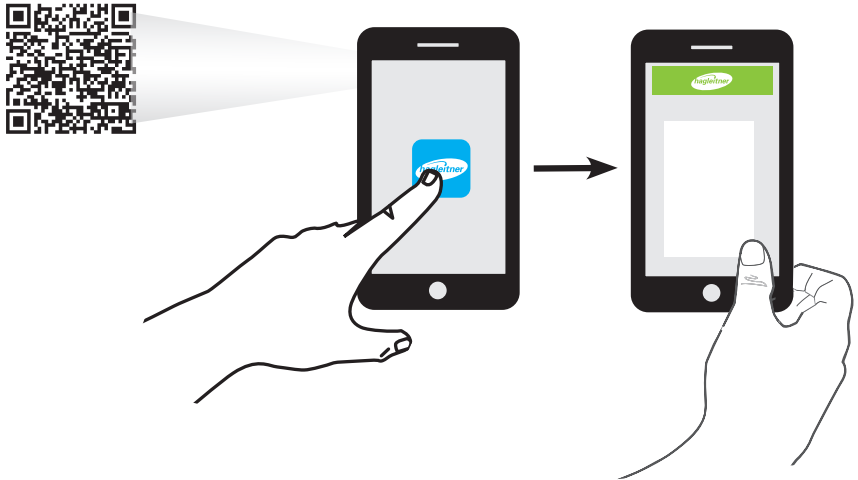
4.



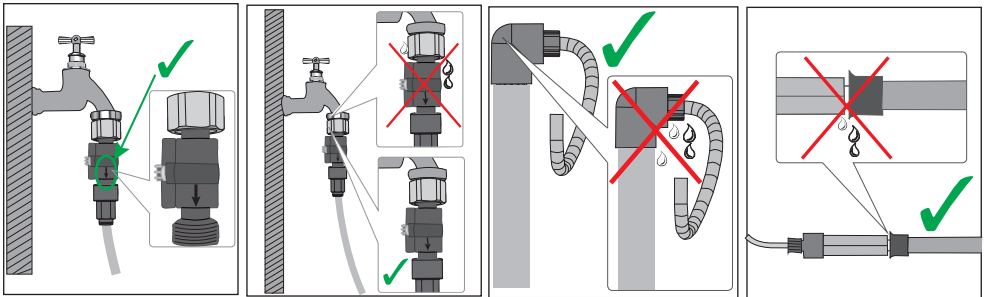
Kablove i creva rasteretiti
Make sure that all cables
and hoses are relieved of
strain.

App: Aktiviranje dozatora / App: activation dispenser

1.



2. Proveriti nakon puštanja u rad lt. App /
Check after installation according to the app

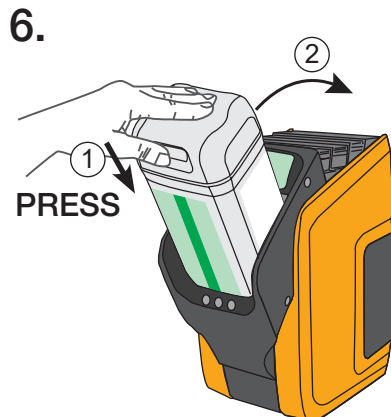
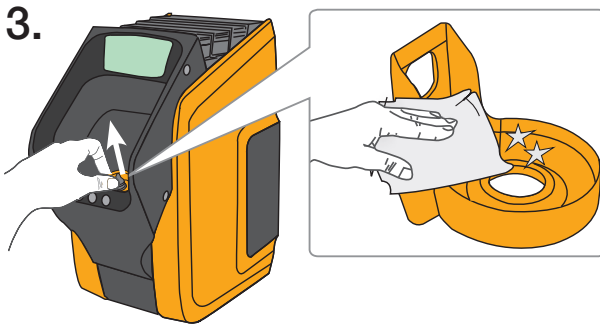
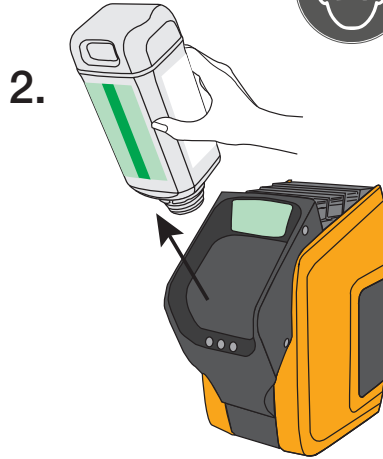
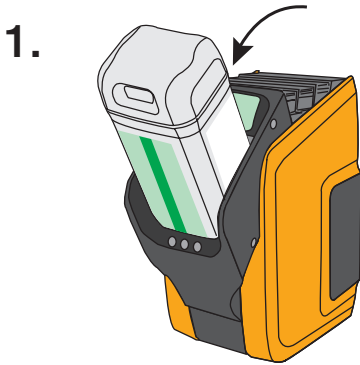


Noseći delovi / wearing parts







integral 4PLUS FLOW METER
integral 4PLUS PUMP POWER
integral 4PLUS PUMP BRITE

Intervali za održavanje potrošnih delova automatski se prikazuju proaktivno u aplikaciji. / Service intervals and exchange of wear parts are announced in the app proactively.







Zamena patrona / cartridge exchange



integral 4PLUS Spender / integral 4PLUS dispenser

Piktogram pictogram		Boja colour	Signal signal
  	Spremlno za upotrebu / Ready to use	zeleno <i>green</i>	Dozator je spreman za upotrebu <i>dispenser is ready to use</i>
		oranž <i>orange</i>	Dozator radi, postoji problem - detalji u App <i>dispenser is working, maintenance required – details in APP</i>
		crveno <i>red</i>	Dozator ne radi (Dozator je otvoren, patrona i rezervni tan su prazni) <i>dispenser is not working (dispenser is open, cartridge and reserve tank empty)</i>
		bez boje <i>no colour</i>	Dozator nema struju <i>no power supply available</i>
 	Patrona / Cartridge	oranž <i>orange</i>	Patrona je prazna - dozator radi u rezervnom modusu <i>cartridge is empty, dispenser on reserve tank mode</i>
		crveno <i>red</i>	Patrona je prazna, pogrešan proizvod je u dozatoru, RFID se ne može očitati, dozator je otvoren, nema patrone u dozatoru <i>cartridge is empty, wrong product, RFID not available, dispenser is open, no cartridge in dispenser</i>
	Bluetooth	plavo <i>blue</i>	Dozator je povezan sa App <i>dispenser and App are connected</i>

integral 4PLUS Display / *integral 4PLUS display*

Piktogram <i>pictogram</i>		Boja <i>colour</i>	Signal <i>signal</i>
  	Spremlno za upotrebu / Ready to use	zeleno <i>green</i>	Dozator je spreman za upotrebu <i>dispenser is ready to use</i>
		oranž <i>orange</i>	Dozator radi, postoji problem - detalji u App <i>dispenser is working, maintenance required – details in APP</i>
		crveno <i>red</i>	Dozator ne radi (Dozator je otvoren, patrona i rezervni tan su prazni) <i>dispenser is not working (dispenser is open, cartridge and reserve tank empty)</i>
		bez boje <i>no colour</i>	Baterija statusne trake je prazna <i>battery is empty</i>
 	Patrona / Cartridge	oranž <i>orange</i>	Patrona je prazna - dozator radi u rezervnom modusu <i>cartridge is empty, dispenser on reserve tank mode</i>
		crveno <i>red</i>	Patrona je prazna, pogrešan proizvod je u dozatoru, RFID se ne može očitati, dozator je otvoren, nema patronu u dozatoru <i>cartridge is empty, wrong product, RFID not available, dispenser is open, no cartridge in dispenser</i>
	baterija / battery	Rot <i>red</i>	baterija se prazni <i>Battery drain</i>

EC-DECLARATION of CONFORMITY

The distributor: Company
Hagleitner Hygiene International GmbH
Lunastraße 5
5700 Zell am See

declares under his sole responsibility for the following system:

Integral 4PLUS	
Type: Dosing System	Mach. Nr.: P0343

that all the relevant provisions of following *European Directives* are fulfilled:

2006/42/EC	Machinery Directive
2014/53/EU	Radio Equipment Directive
2014/35/EU	Low Voltage Directive
2014/30/EU	Electromagnetic Compatibility
2011/65/EU	Restriction of certain hazardous substances in electronic equipment

and that the system corresponds with the relevant sections of following standards and/or other normative documents:

EN ISO 12100	Safety of machinery
EN 61000-6-3	Electromagnetic compatibility (EMC) – Emission
EN 61000-6-2	Electromagnetic compatibility (EMC) - Immunity for industrial environments
EN 300330	Spurious emissions and Spektrummask

Zell am See, 16.12.2019


Hans Georg Hagleitner
Chief Executive Officer
Hagleitner Hygiene International GmbH