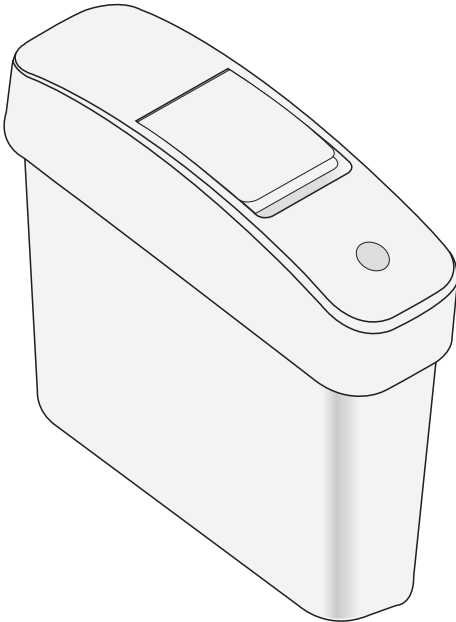
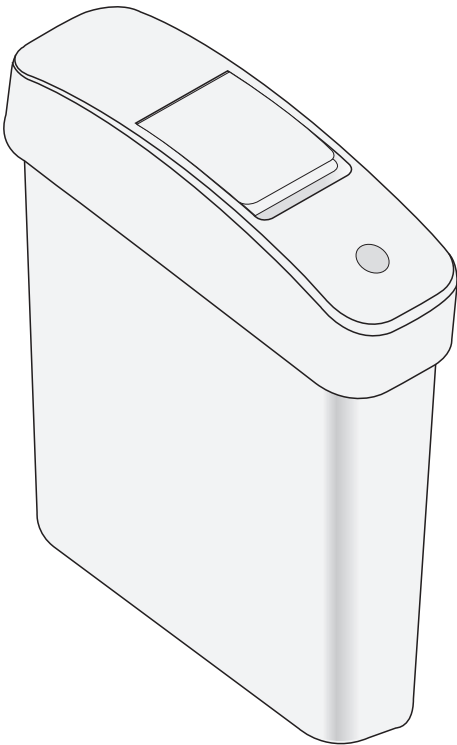
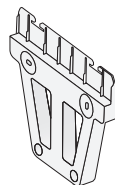
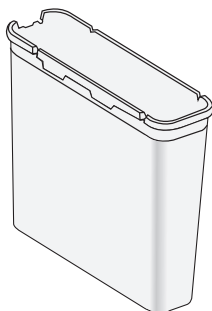
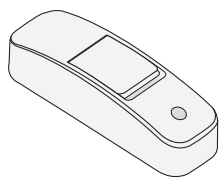


XIBU

SANITARY BIN



SET
XIBU SANITARY BIN analog

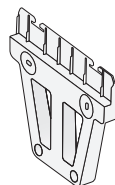
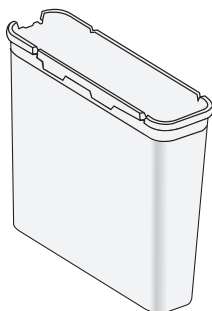
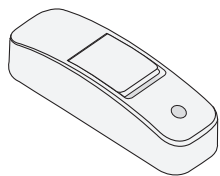


SANITARY BIN COVER

SANITARY BIN L
or
SANITARY BIN S

SANITARY BIN
WALL HOLDER

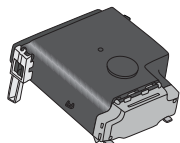
SET
XIBU SANITARY BIN hybrid



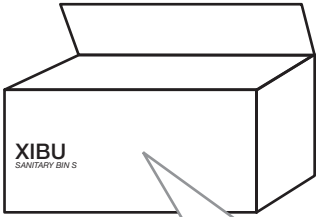
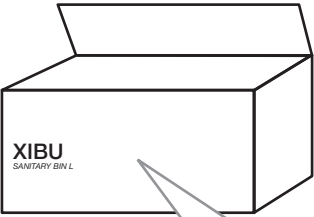
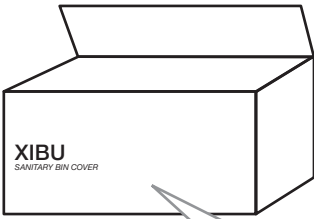
SANITARY BIN COVER

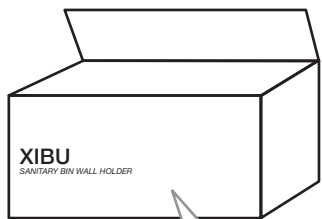
SANITARY BIN L
or
SANITARY BIN S

SANITARY BIN
WALL HOLDER

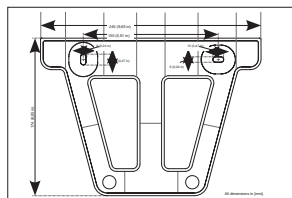
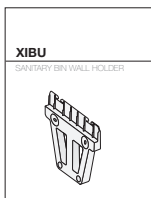
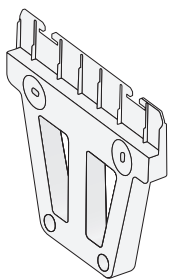


SANITARY BIN
hybrid unit





XIBU SANITARY BIN WALL HOLDER



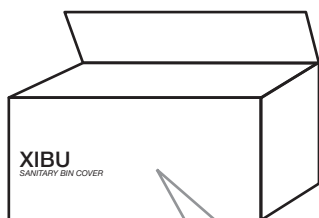
2x



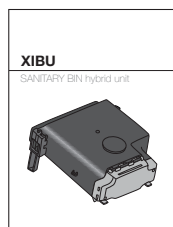
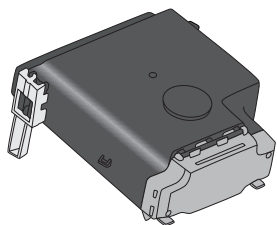
2x



2x





XIBU SANITARY BIN hybrid unit




FOR THE UNITED STATES ONLY

General Safety Information

The following symbols and headings are used throughout this manual to indicate possible hazards to persons or equipment. The symbols and headings are shown in order of importance. For efficient and safe operation, be sure to follow the installation and operating instructions provided in this manual. In particular, all safety symbols and notices must be followed.

 WARNING	Indicates a potentially hazardous situation which, if not avoided, could result in serious injury or death.
 CAUTION	Indicates a potentially hazardous situation which, if not avoided, could result in minor personal injury.
NOTICE	This safety warning indicates possible hazards to the product or to other equipment.
IMPORTANT	Vital information or tips for the installer or operator.

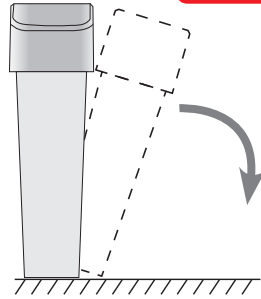
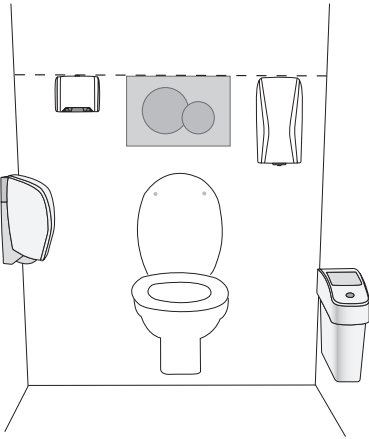
General Safety Instructions

 CAUTION	<p>When installing any equipment, ensure that all national and local safety, electrical and plumbing codes are met.</p> <p>When using electrical appliances, basic safety precautions should always be followed.</p> <p>Always wear safety goggles to protect your eyes and wear other appropriate safety items for protection to avoid injury when drilling.</p>
-------------------------------------------------------------------------------------------------	----------------------------------------------------------------------------------------------------------------------------------------------------------------------------------------------------------------------------------------------------------------------------------------------------------------------------------------------------------------------------------------

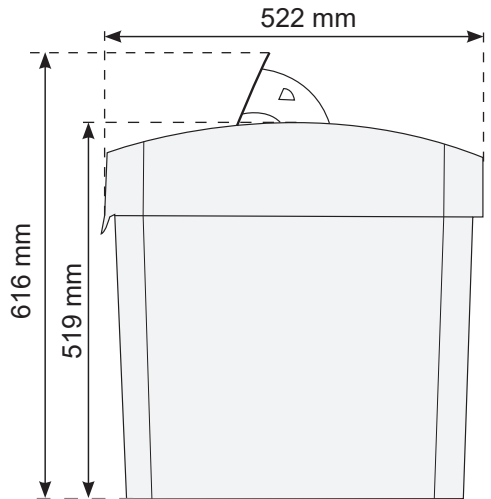
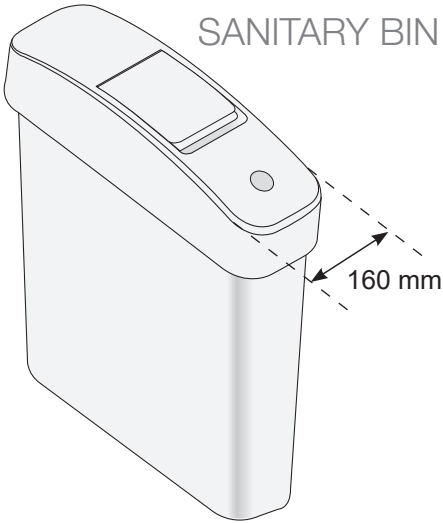
IMPORTANT

- Do not mix old and new batteries. Always remove exhausted batteries and dispose safely.
- Americans with Disabilities Act: Title III of the Americans with Disabilities Act (ADA) governs, in detail, the placement and operation of dispensers. You should ensure that your mounting and use of dispensers complies with that law as well as the regulations issued under that statute. The mounting suggestions in this document may or may not fulfill the obligations of the ADA with respect to your facility.

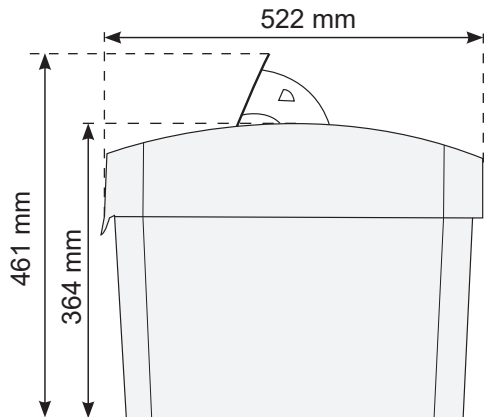
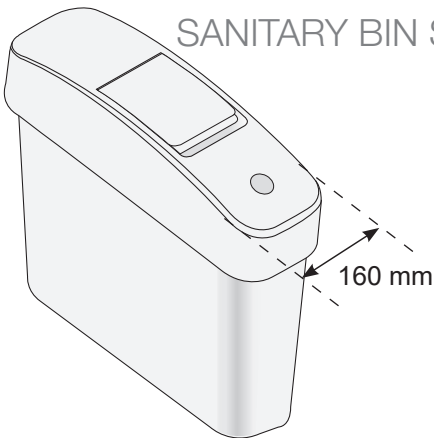




SANITARY BIN L

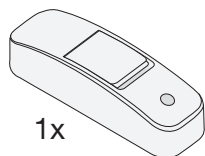


SANITARY BIN S

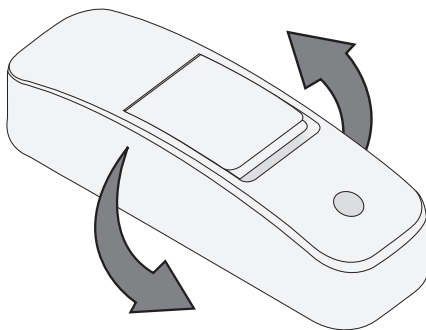


SET **XIBU** SANITARY BIN analog

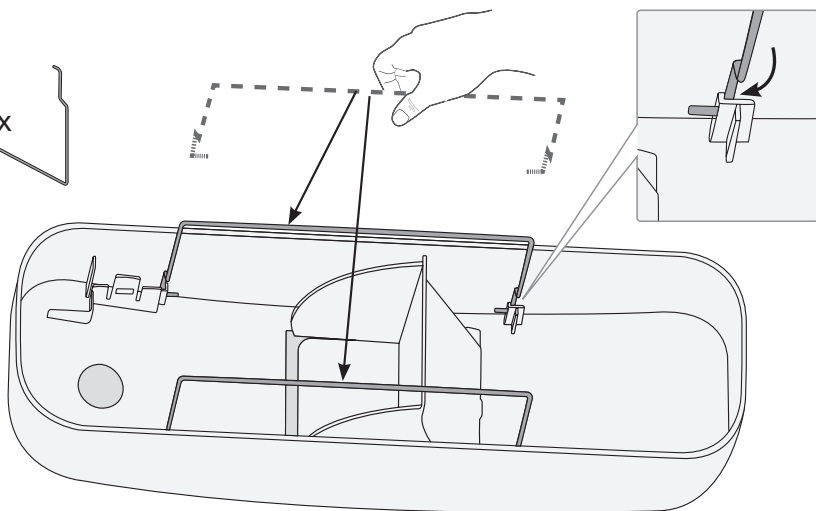
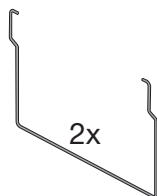
1.



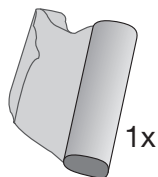
SANITARY BIN COVER



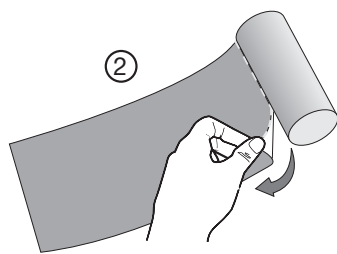
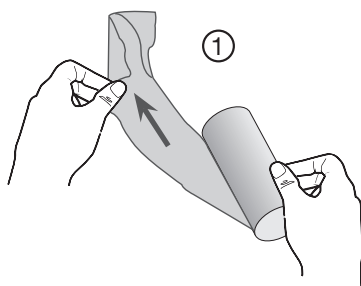
2.



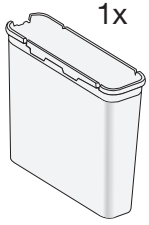
3.



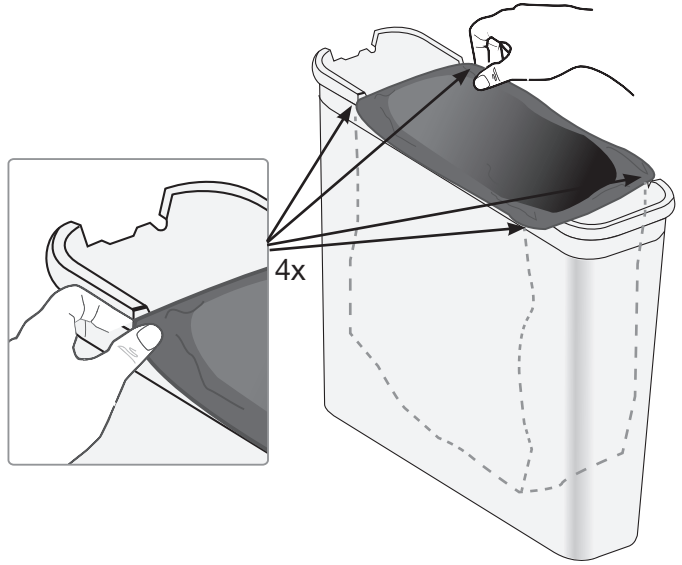
binLINER
SANITARY BIN



4.

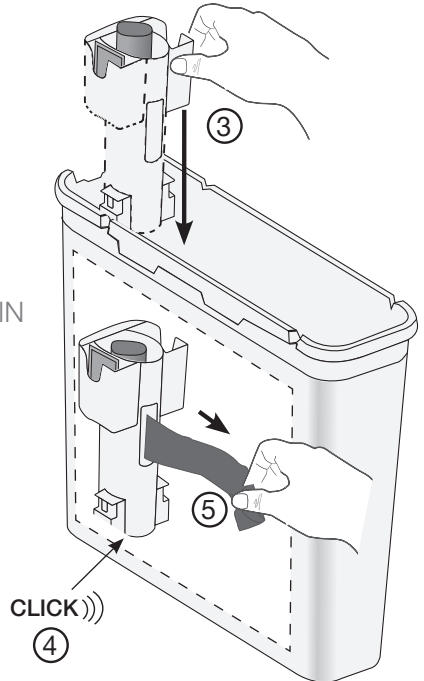
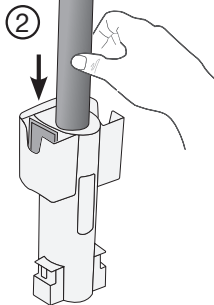
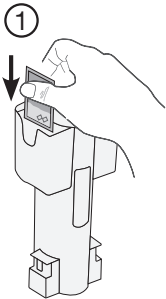


SANITARY BIN S or
SANITARY BIN L



Option

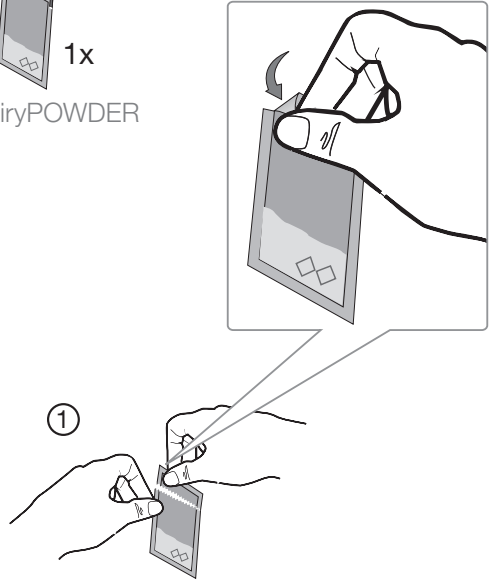
XIBU SANITARY BIN REFILL CASE



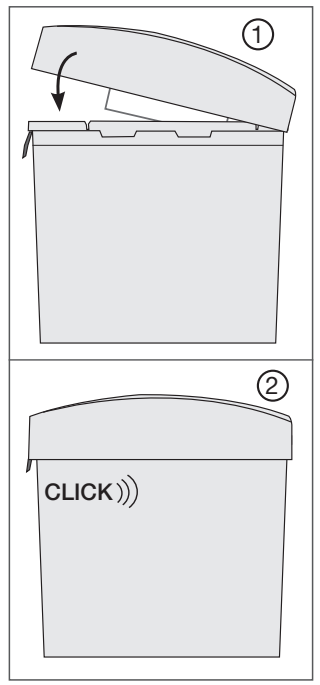
5.

CAUTION

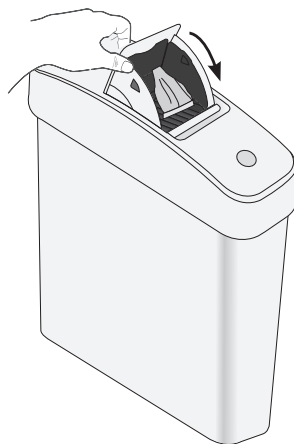
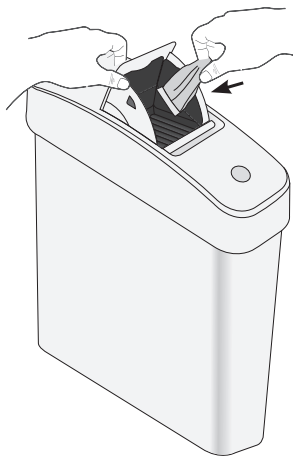
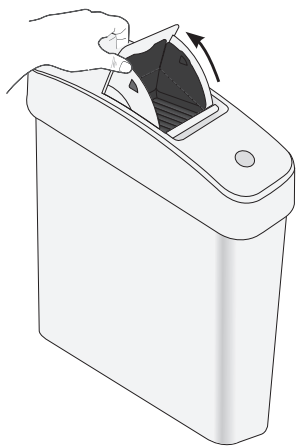
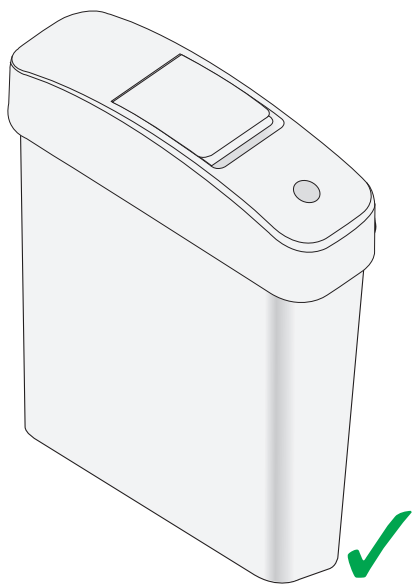
1x
fairyPOWDER



6.

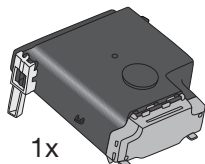


7.

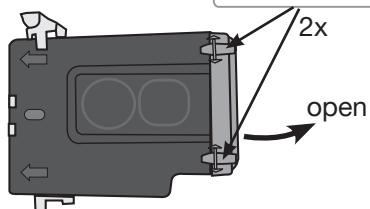
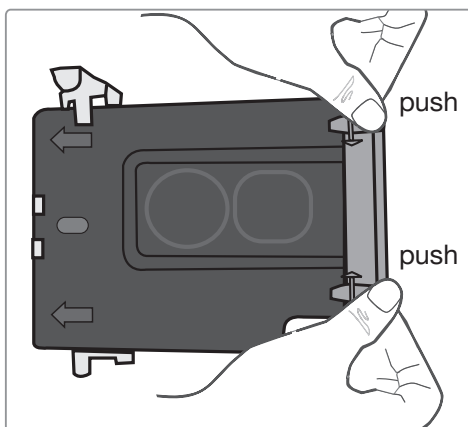


SET XIBU SANITARY BIN hybrid

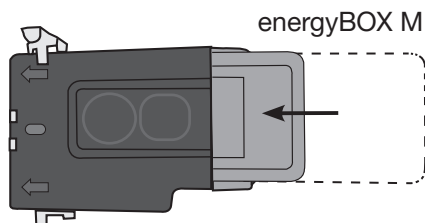
1.



SANITARY BIN
hybrid unit



2.

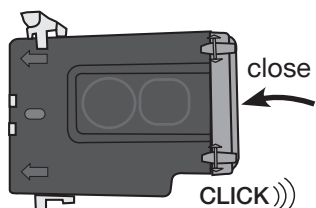


Option
rechargePOWER hybrid

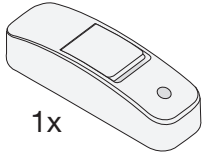


Please follow this link for further instructions:
https://cdn.hagleitner.com/fileadmin/user_upload/banleitung/20200622_BAL_powerSTATION_recharge.pdf

3.

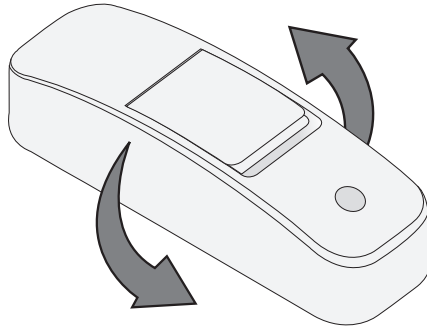


4.

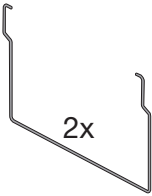


1x

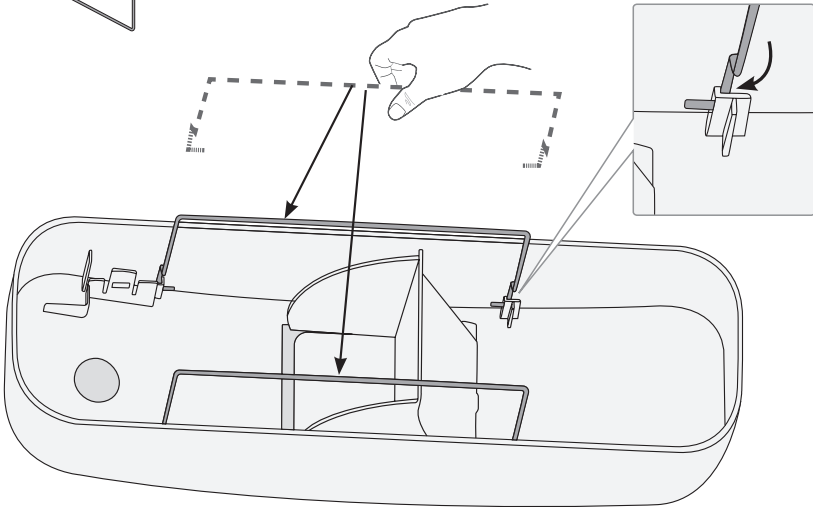
SANITARY BIN COVER



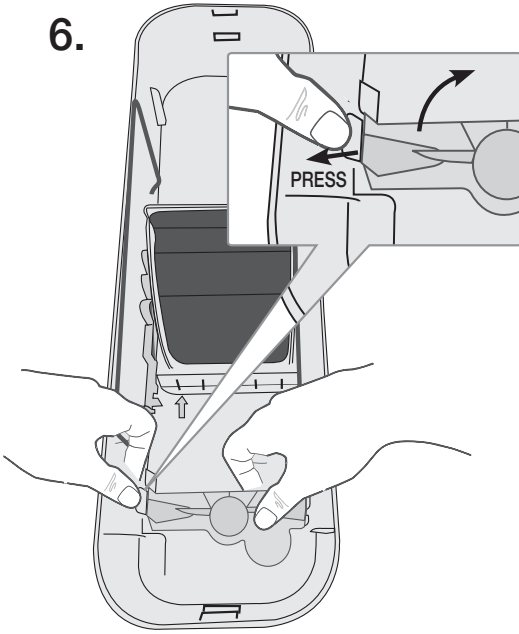
5.



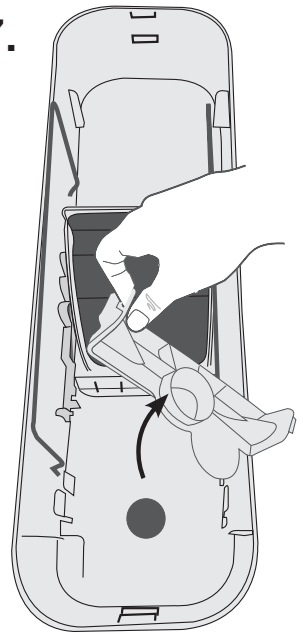
2x



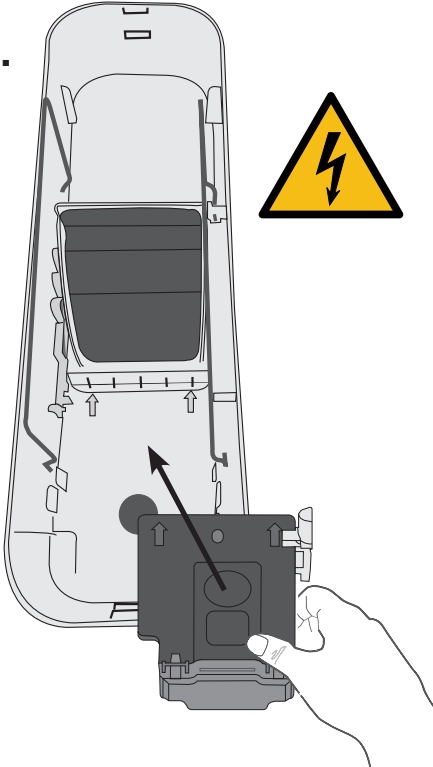
6.



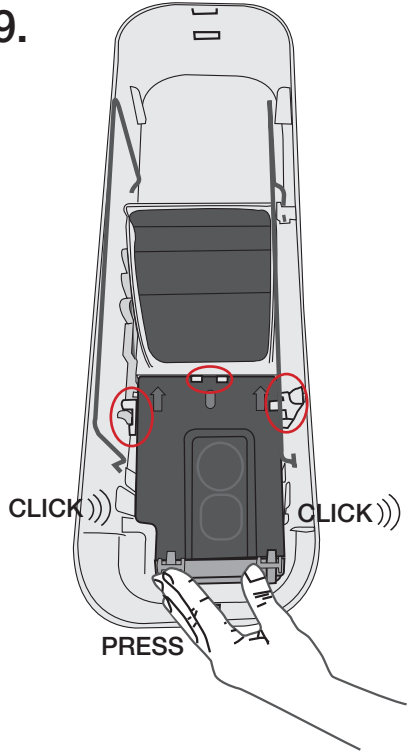
7.



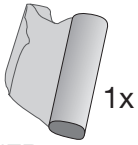
8.



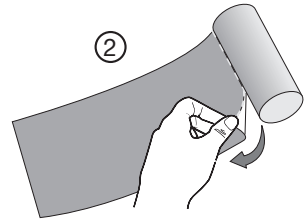
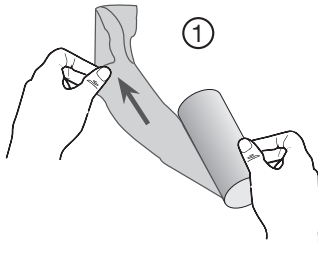
9.



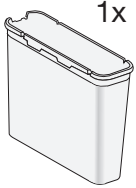
10.



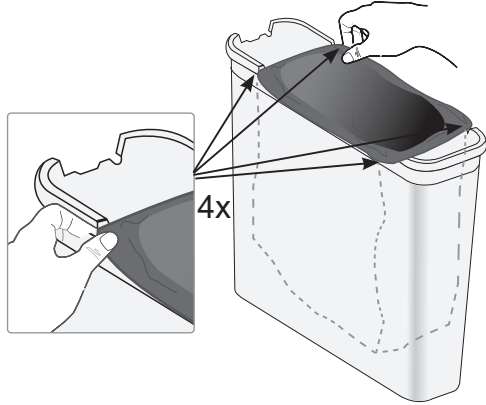
binLINER
SANITARY BIN



11.

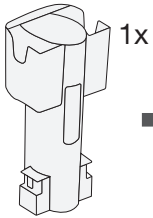


SANITARY BIN S or
SANITARY BIN L



Option

XIBU SANITARY BIN REFILL CASE



12x



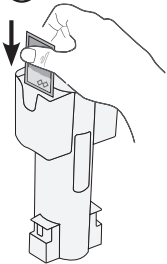
fairyPOWDER



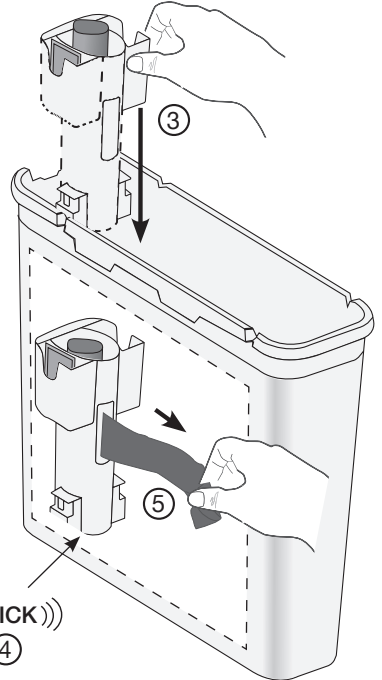
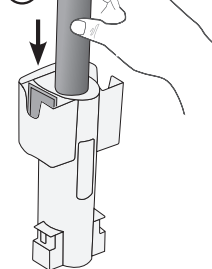
1x

binLINER
SANITARY BIN

1



2

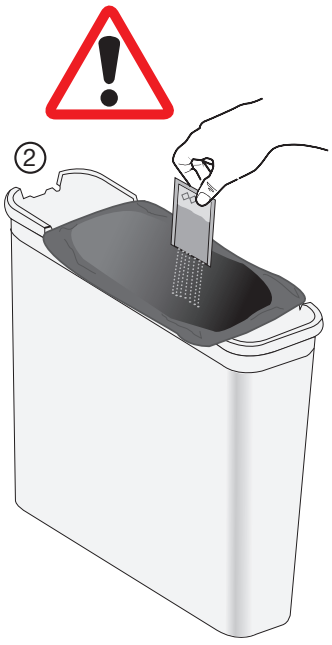
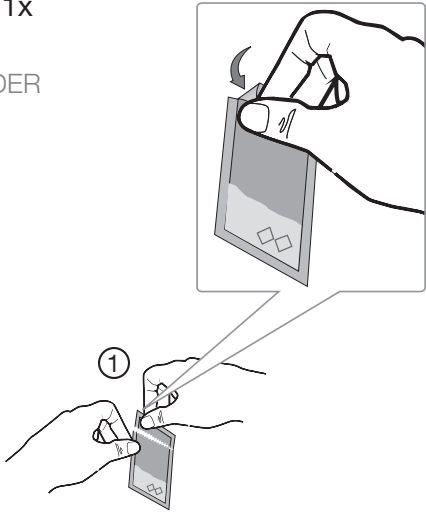


CLICK)))
4

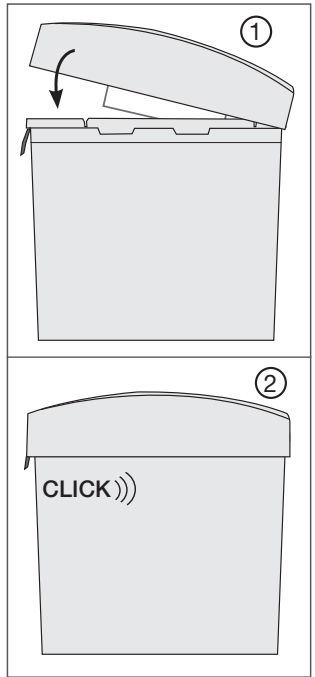
12.

CAUTION

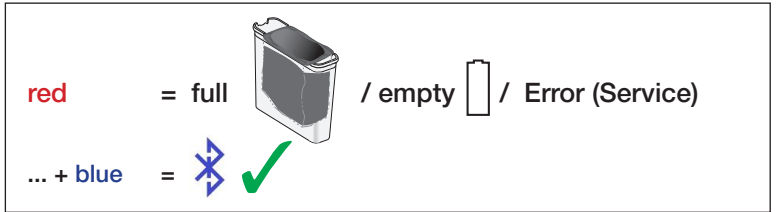
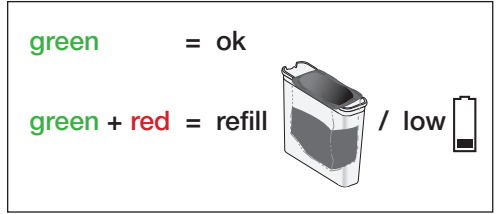
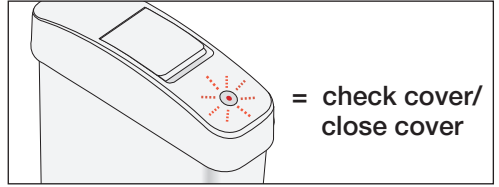
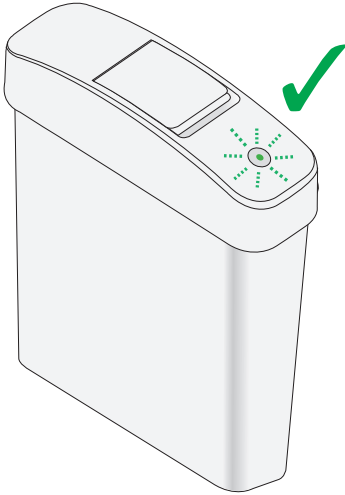
1x
fairyPOWDER



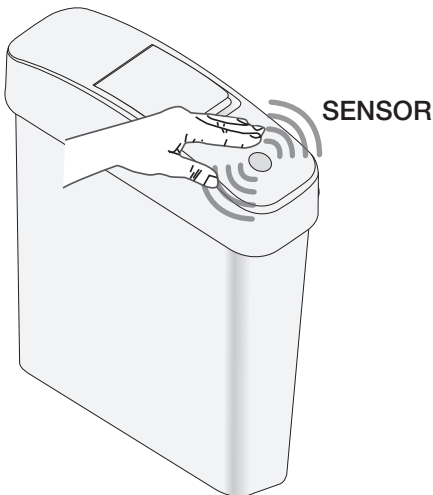
13.



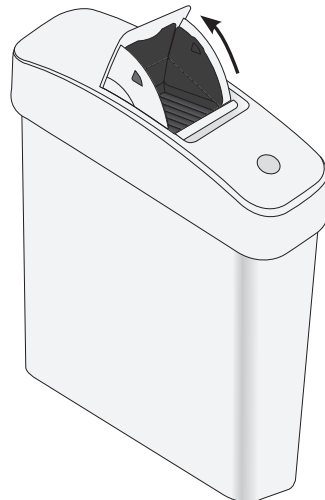
14.

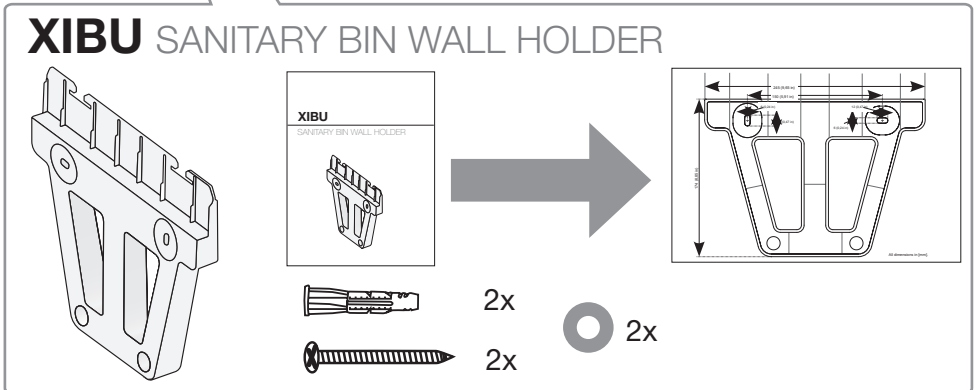
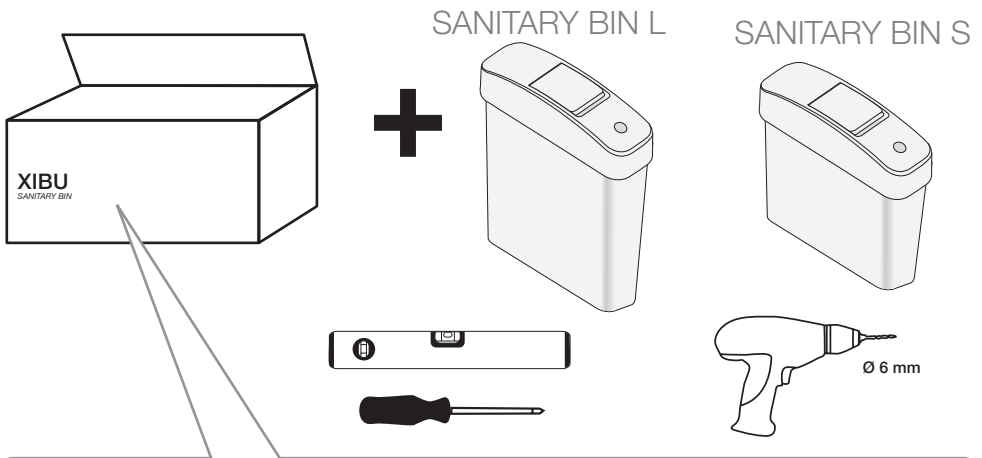


15.

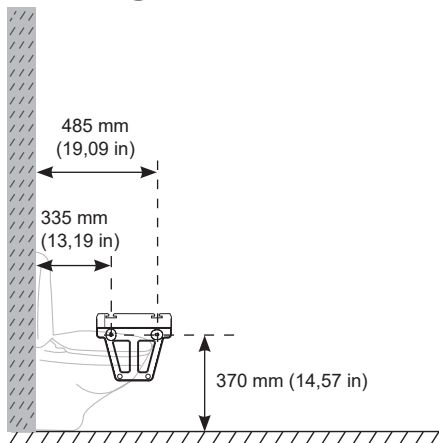


16.

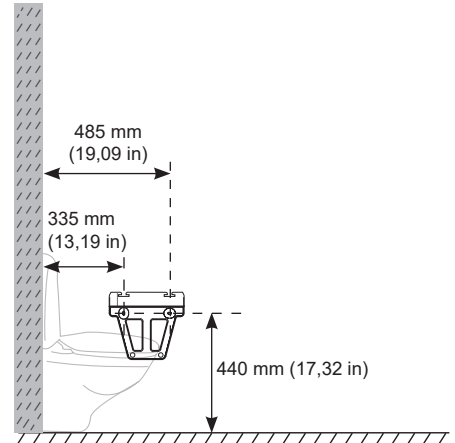




Mounting SANITARY BIN S

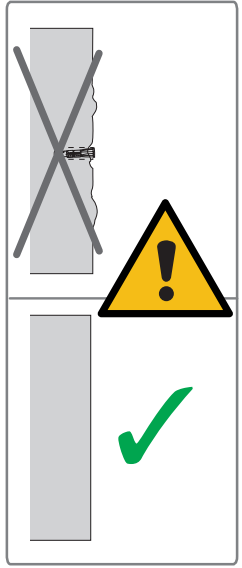
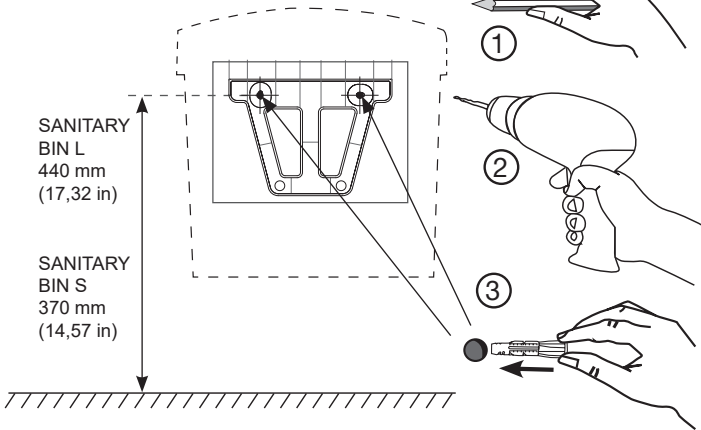


Mounting SANITARY BIN L

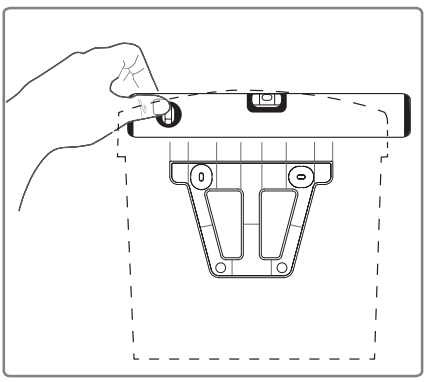
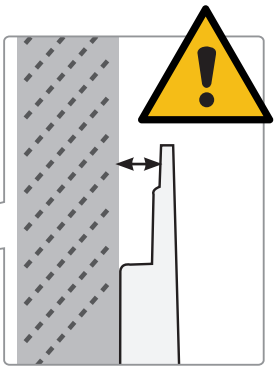
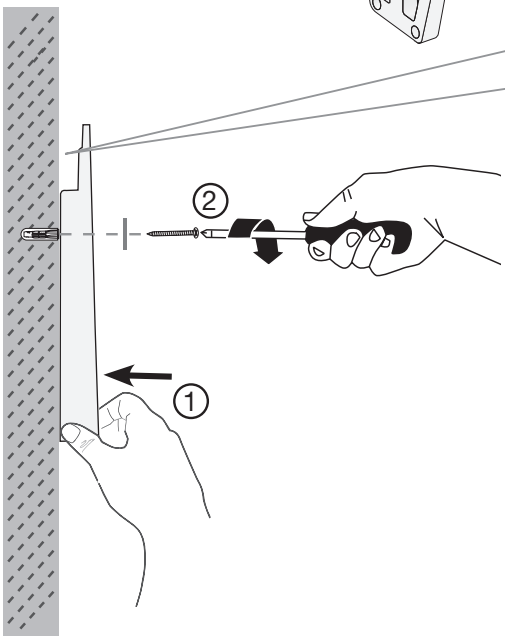


1. CAUTION

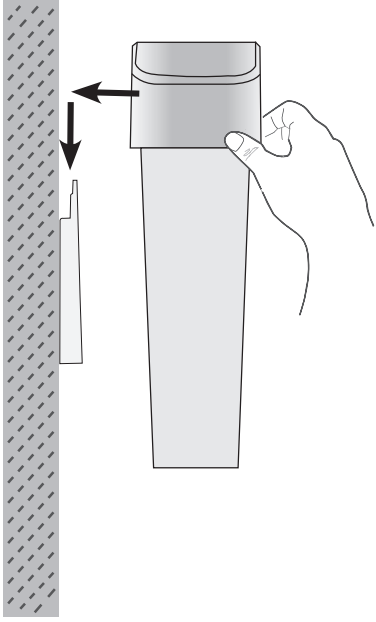
Before drilling the holes, make sure there are no pipes or wires located behind the wall



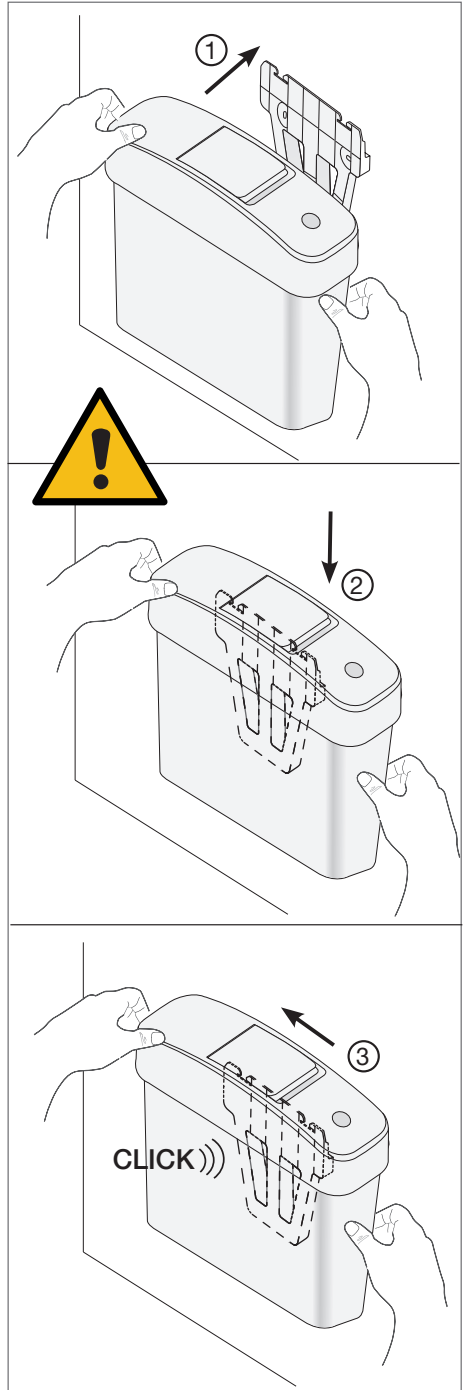
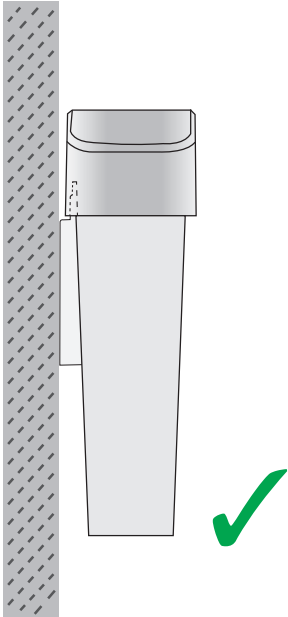
2.  2x
 2x
 1x



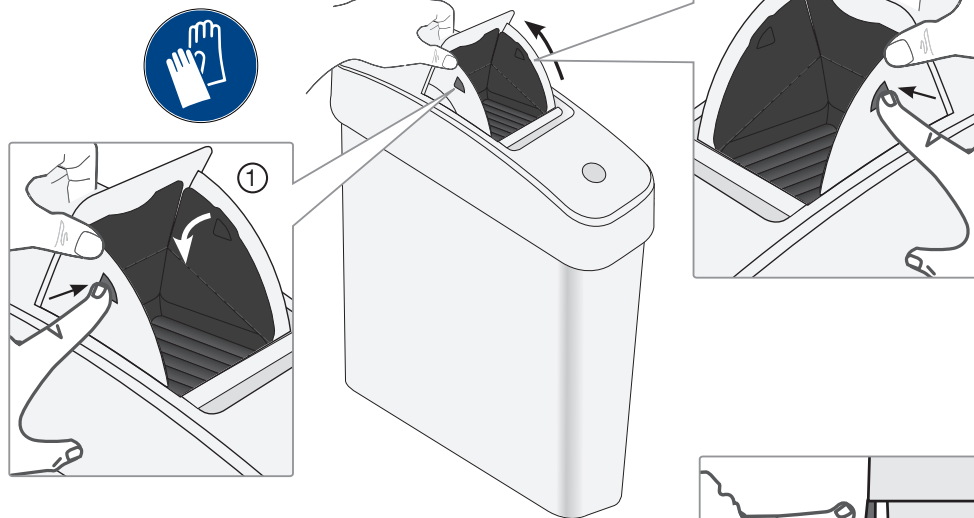
3.



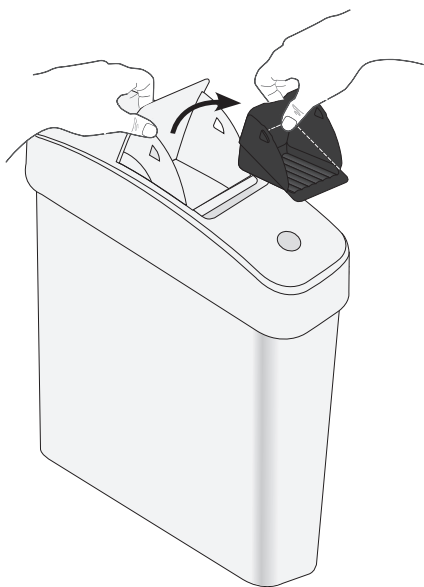
4.



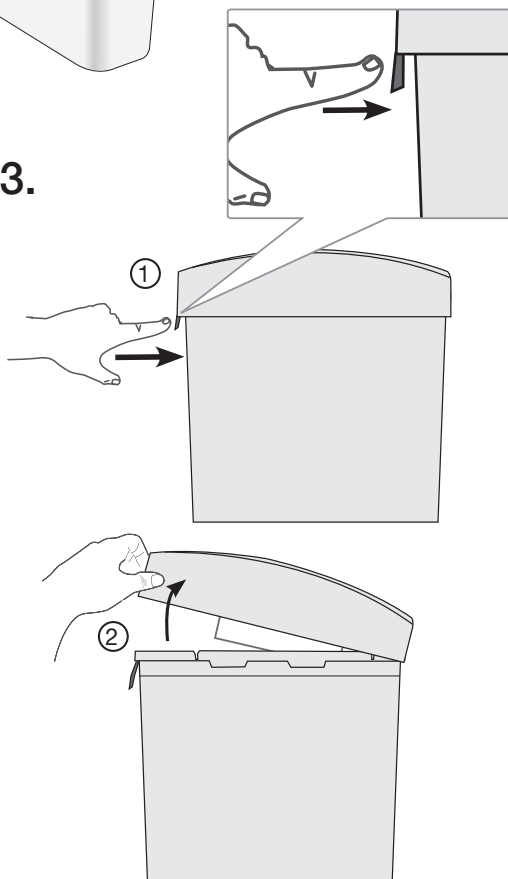
1.



2.



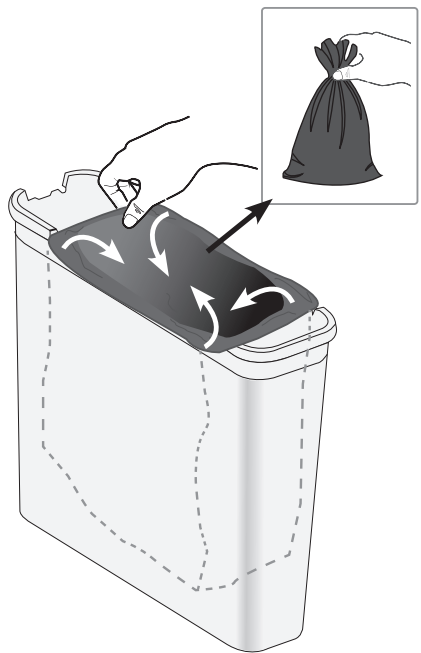
3.



4.



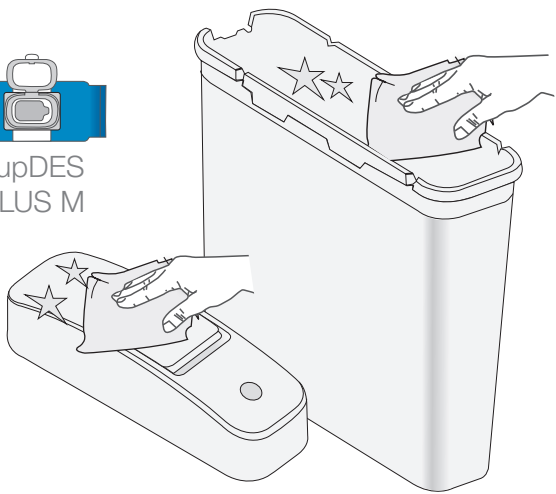
5.



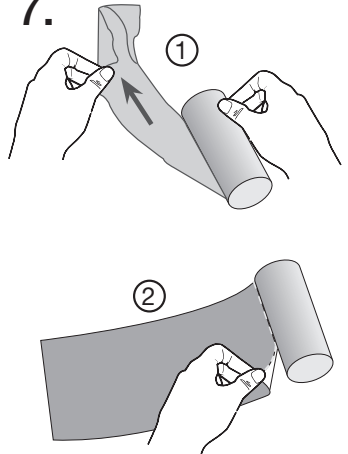
6.



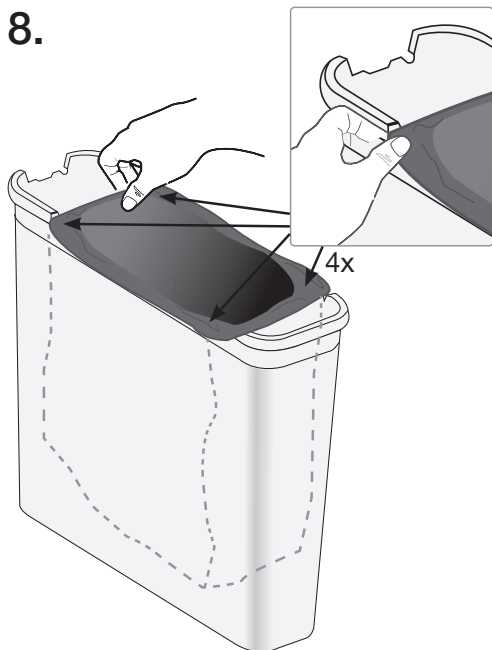
hupDES PLUS M



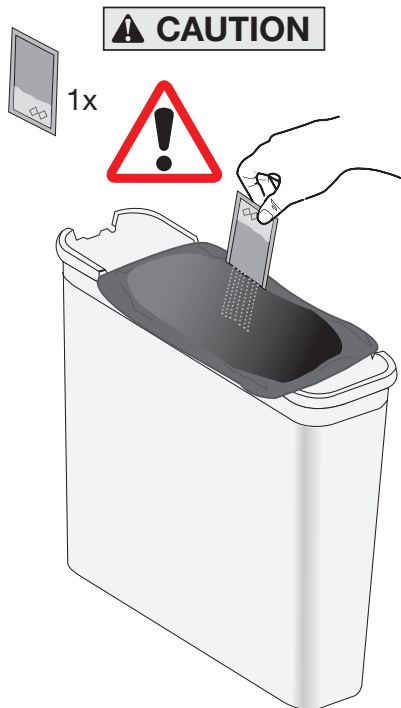
7.



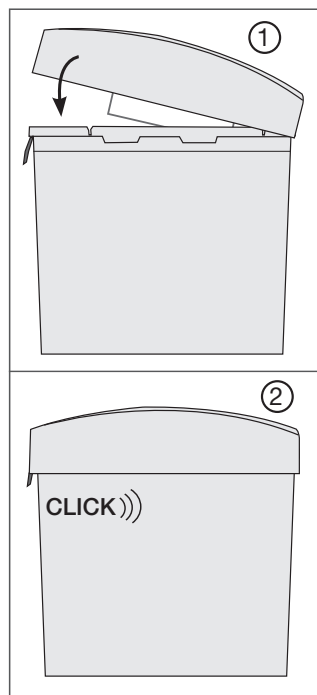
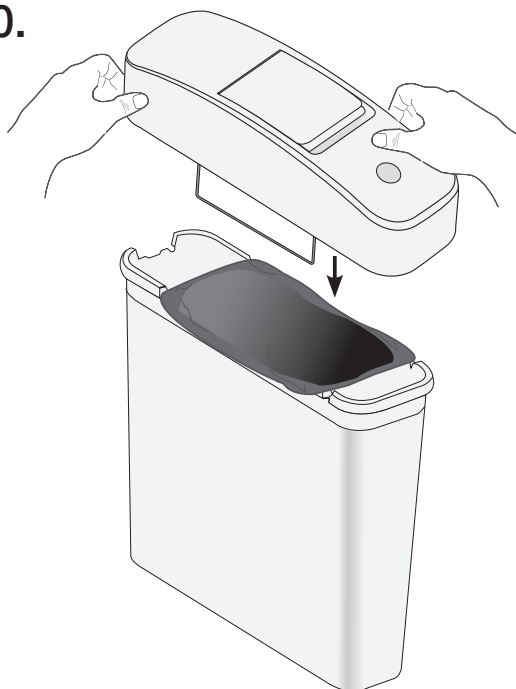
8.



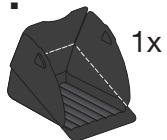
9.



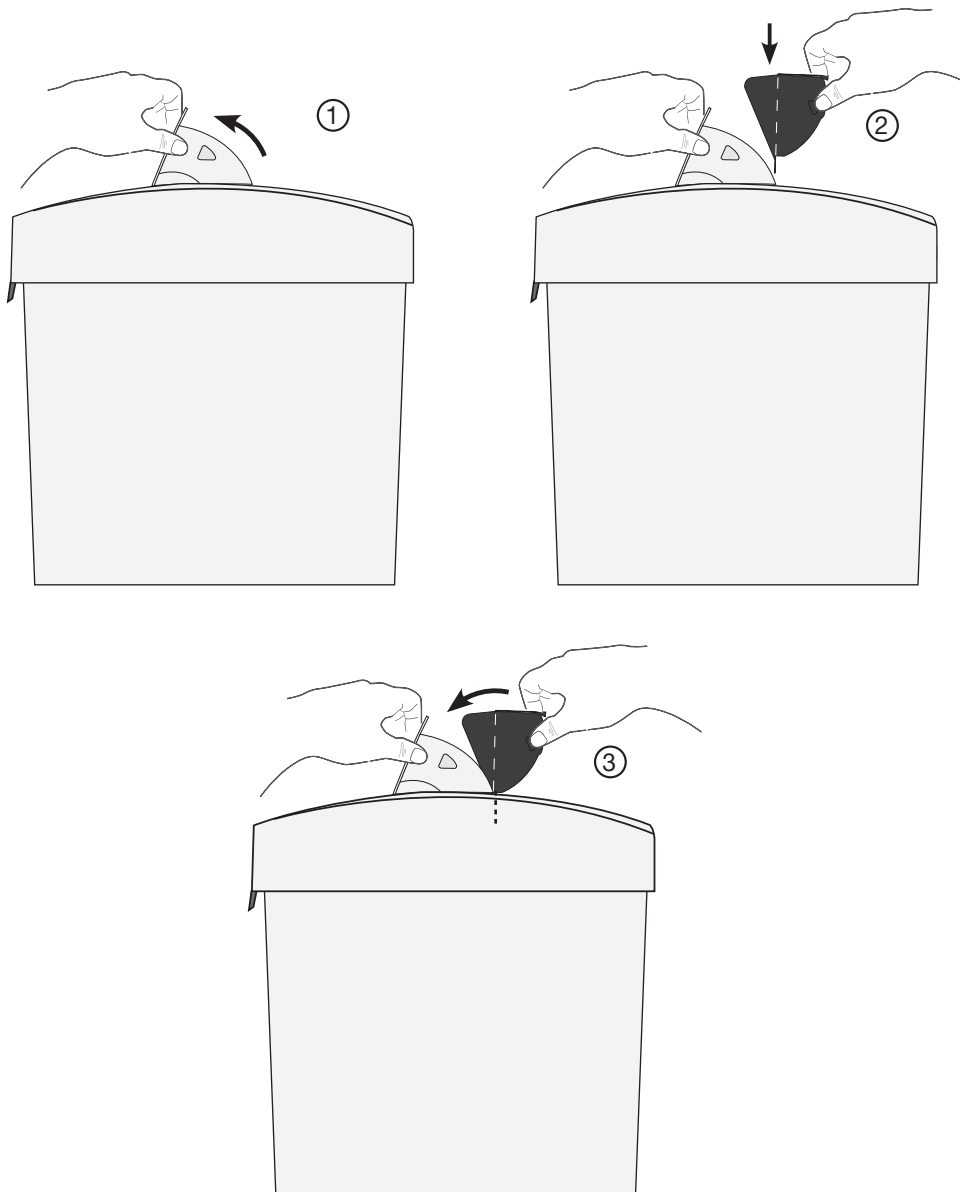
10.

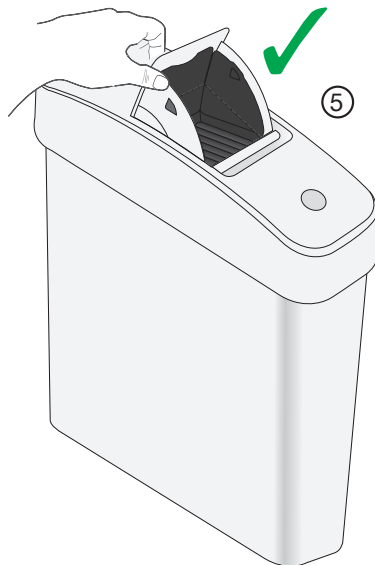
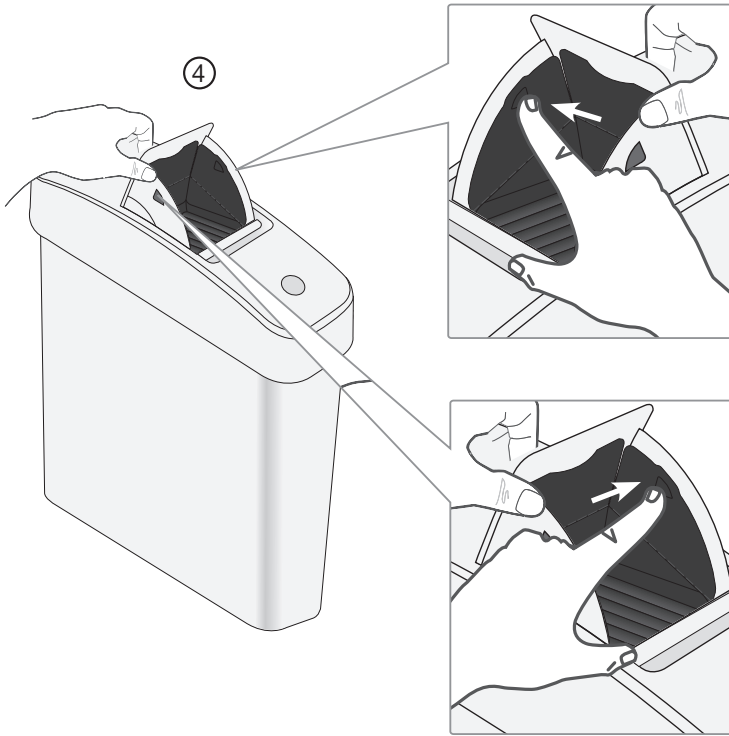


11.

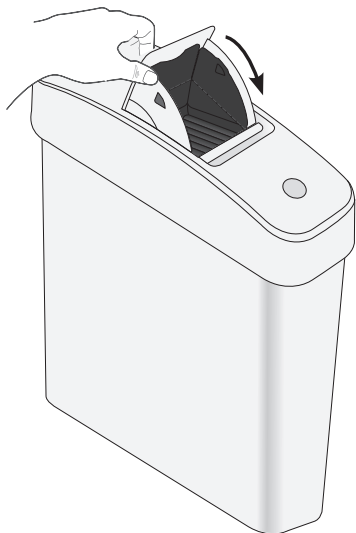


SANITARY BIN hygieneCOVER

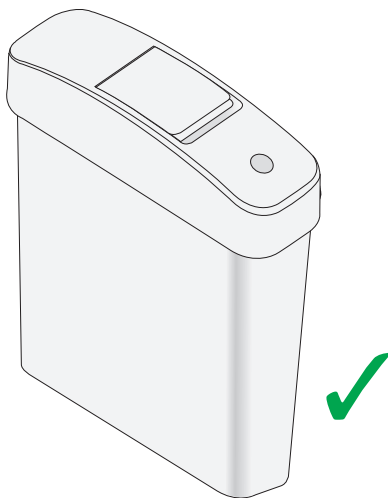




12.



13.



ISO-7010-W001