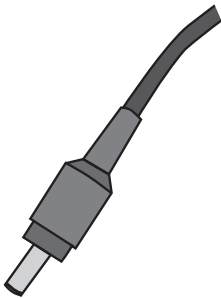
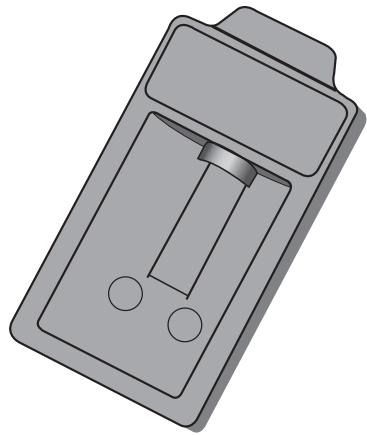


XIBU

powerPACK
12V ex/in hybrid

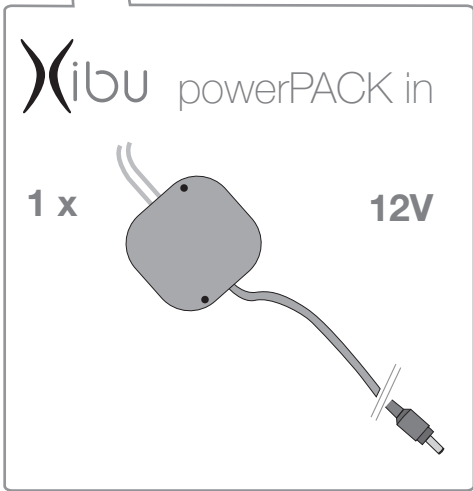
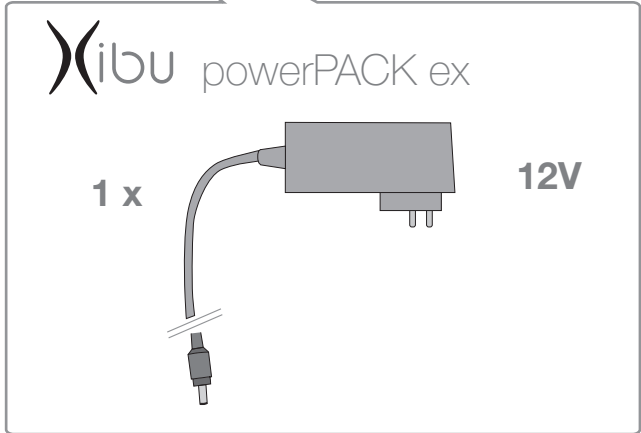
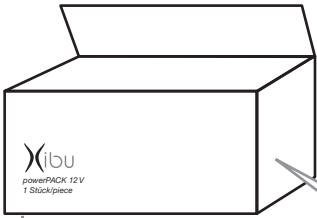


powerPACK
ADAPTER hybrid



Inhaltsverzeichnis / Content

powerPACK ex / powerPACK in	3
XIBU TOWEL hybrid	5
XIBU TISSUEPAPER hybrid	11
XIBU DISINFECT / FOAM / SEAT DISINFECT / CARE MOUSSE / FLUID hybrid	15
XIBU AIRFRESH hybrid	19
XIBU MULTIFOLD	19
XIBU TISSUEFOLD	19





ISO7010 M021



FOR THE UNITED STATES ONLY

General Safety Information

The following symbols and headings are used throughout this manual to indicate possible hazards to persons or equipment. The symbols and headings are shown in order of importance. For efficient and safe operation, be sure to follow the installation and operating instructions provided in this manual. In particular, all safety symbols and notices must be followed.

 WARNING	Indicates a potentially hazardous situation which, if not avoided, could result in serious injury or death.
 CAUTION	Indicates a potentially hazardous situation which, if not avoided, could result in minor personal injury.
NOTICE	This safety warning indicates possible hazards to the product or to other equipment.
IMPORTANT	Vital information or tips for the installer or operator.

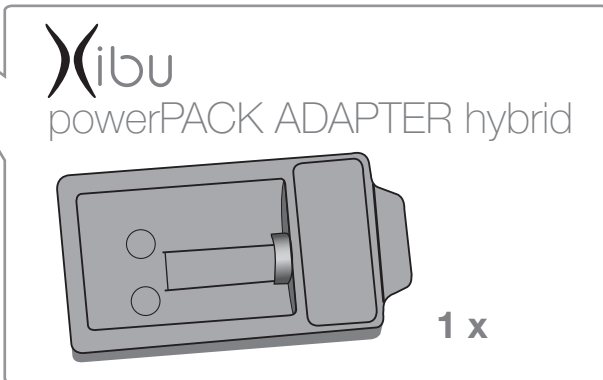
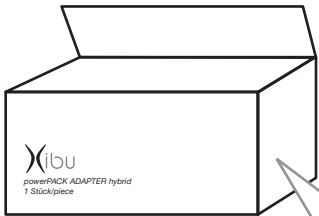
General Safety Instructions

 CAUTION 	When using electrical appliances, basic safety precautions should always be followed.
---	--

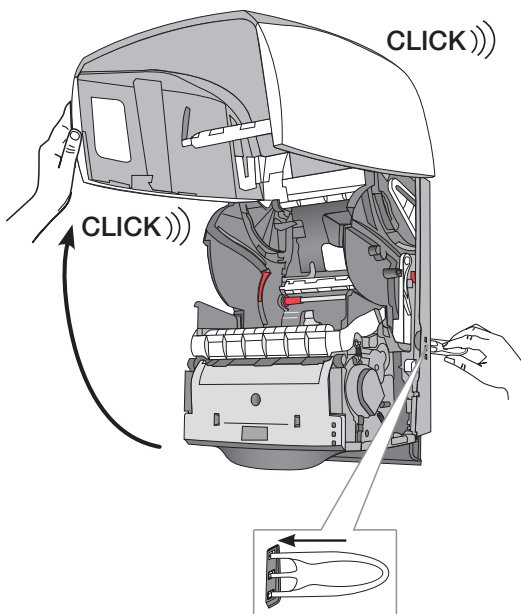
For HAGLEITNER senseMANAGEMENT devices only

NOTE: This equipment has been tested and found to comply with the limits for a Class A digital device, pursuant to part 15 of the FCC Rules. These limits are designed to provide reasonable protection against harmful interference when the equipment is operated in a commercial environment. This equipment generates, uses, and can radiate radio frequency energy and, if not installed and used in accordance with the instruction manual, may cause harmful interference to radio communications. Operation of this equipment in a residential area is likely to cause harmful interference in which case the user will be required to correct the interference at his own expense.

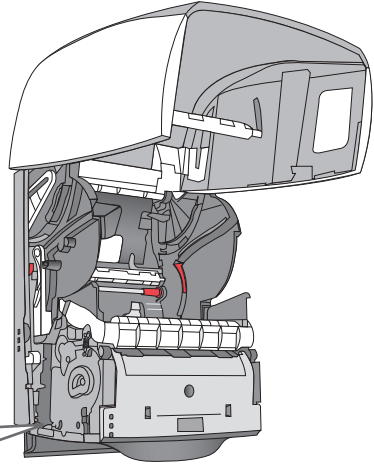
Xibu TOWEL hybrid



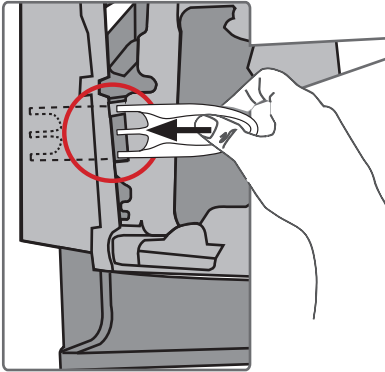
1.



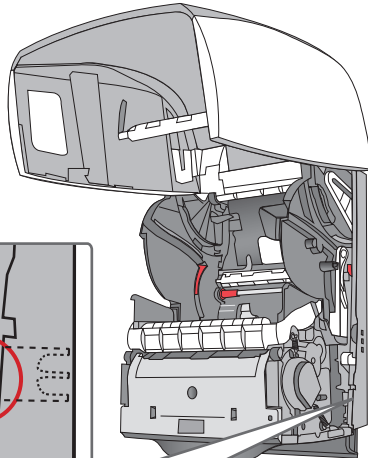
2.



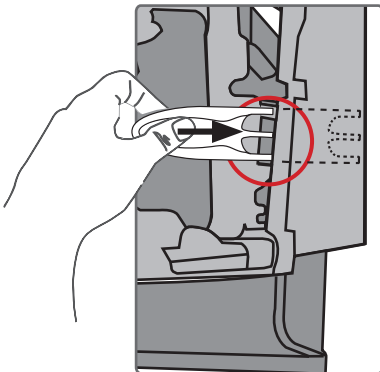
CLICK)))



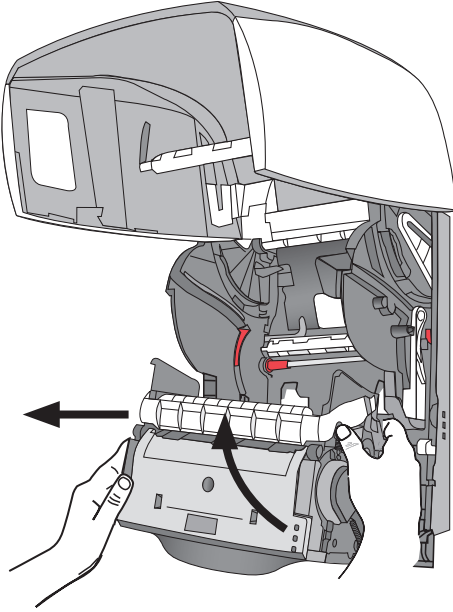
3.



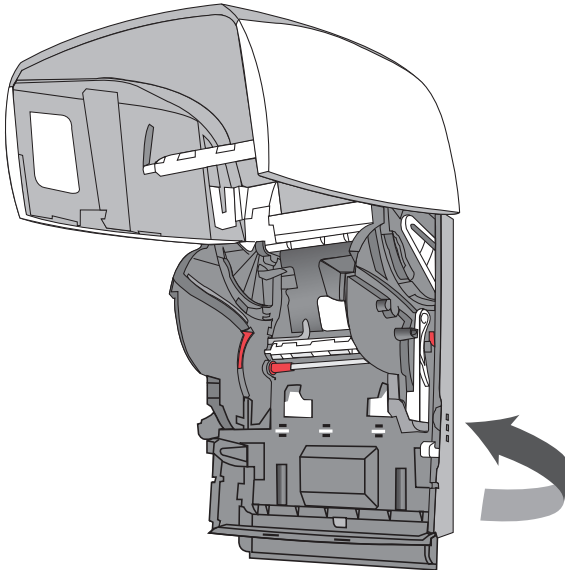
CLICK)))



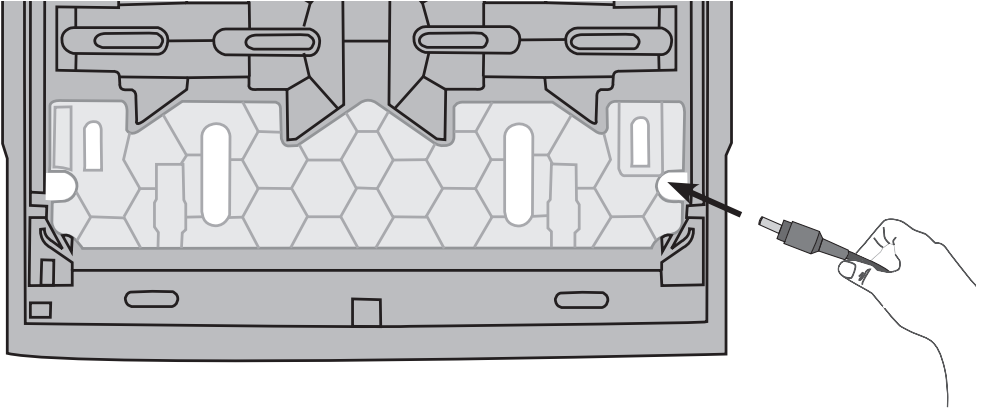
4.



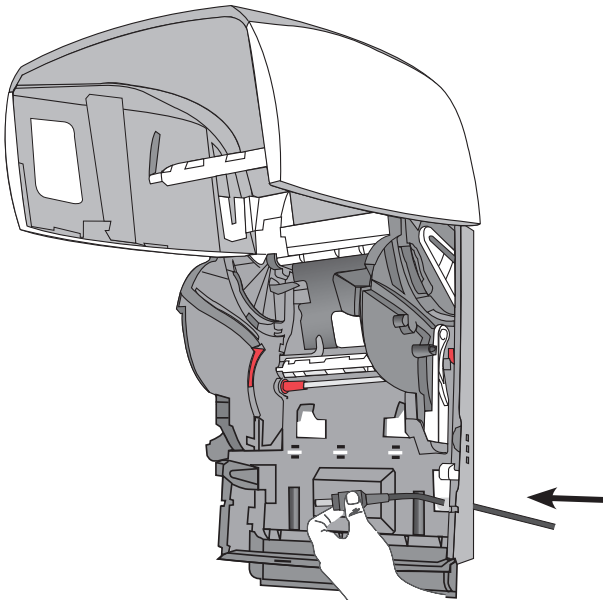
5.



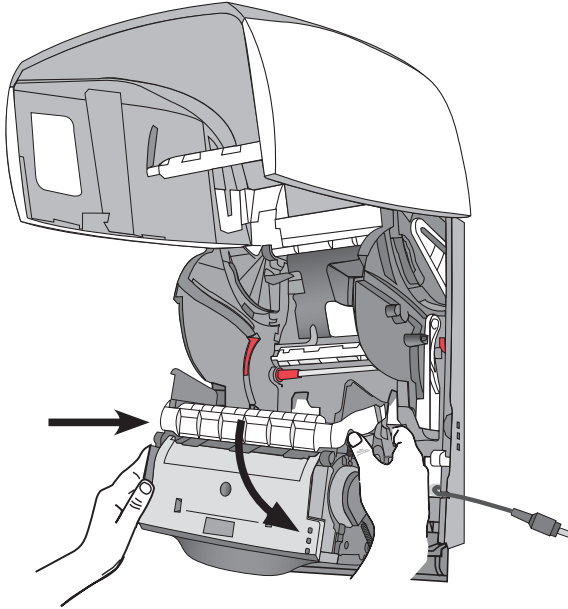
6.



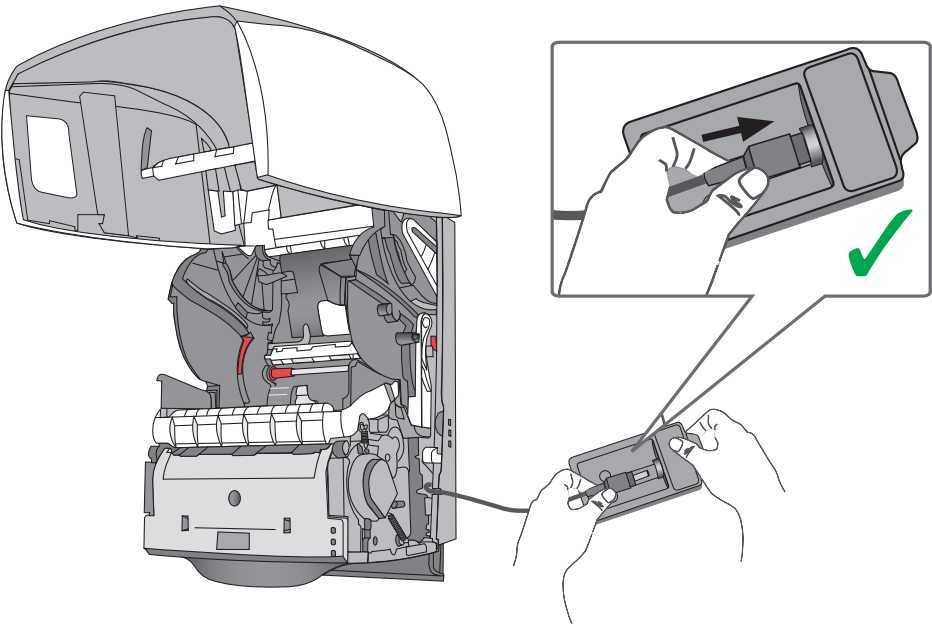
7.



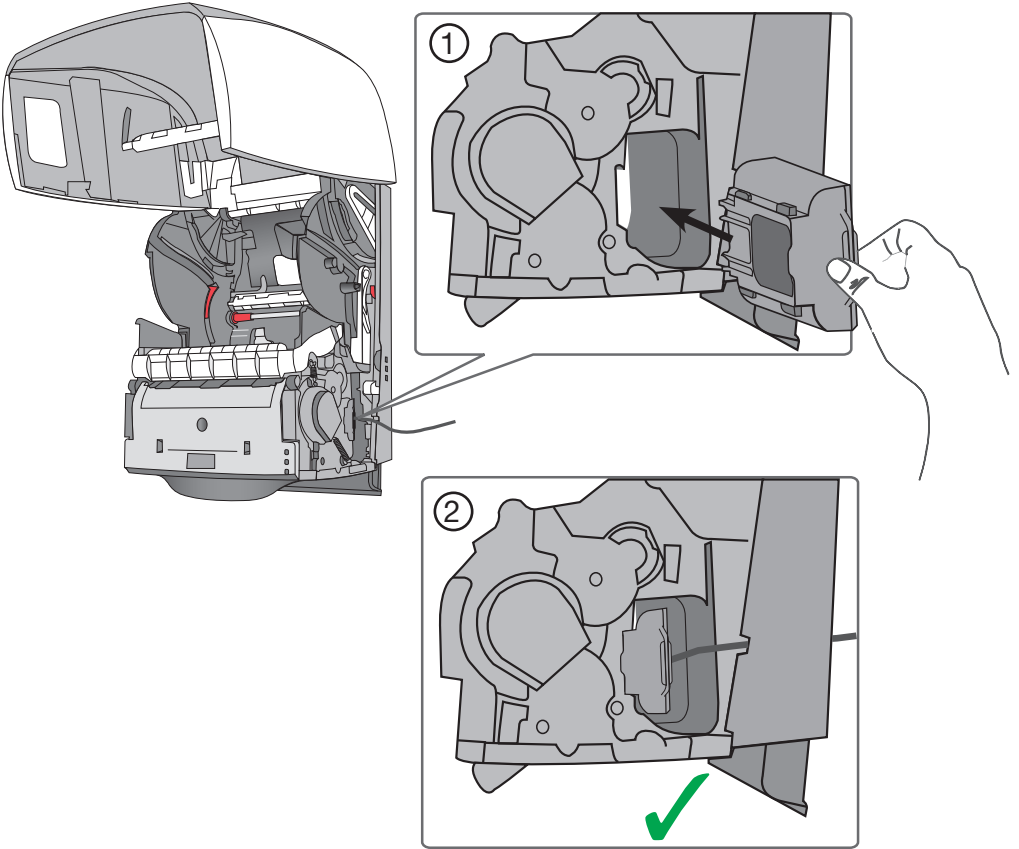
8.



9.

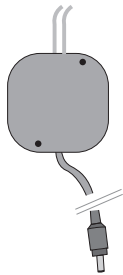


10.

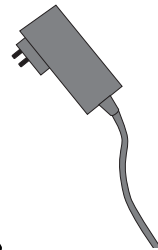
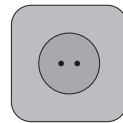


11. powerPACK in

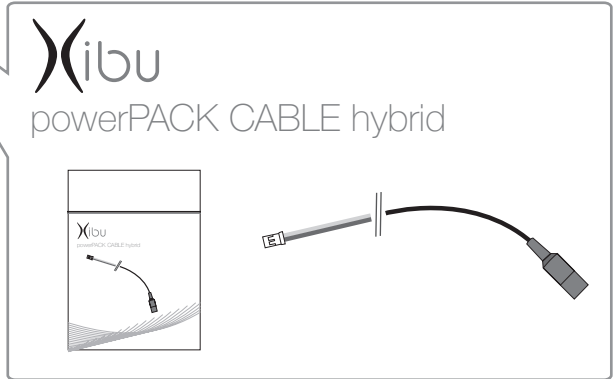
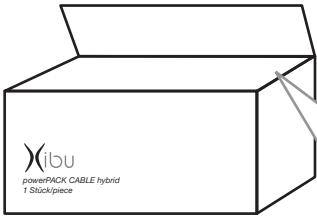
AC 100-240V~
50-60Hz 370mA



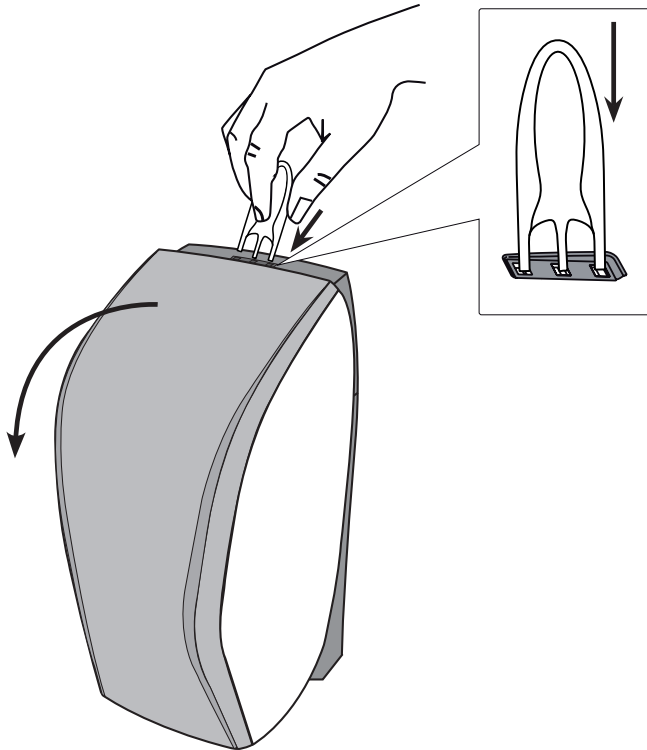
powerPACK ex



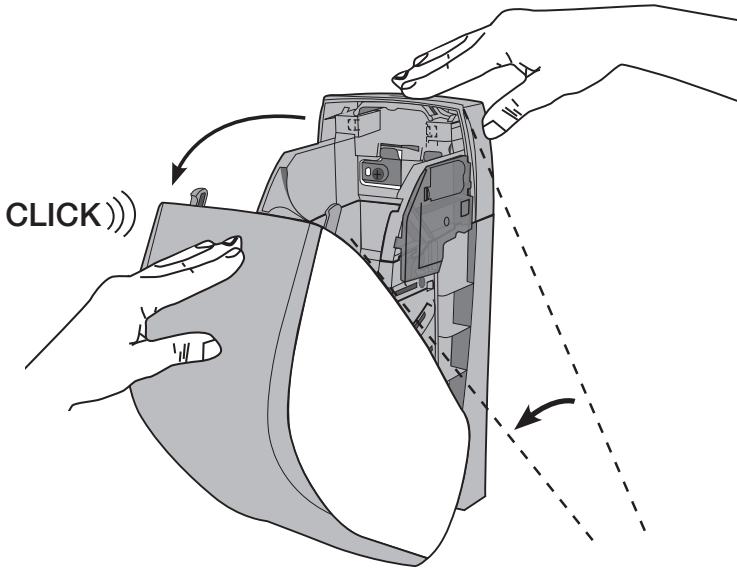
Xibu TISSUEPAPER hybrid



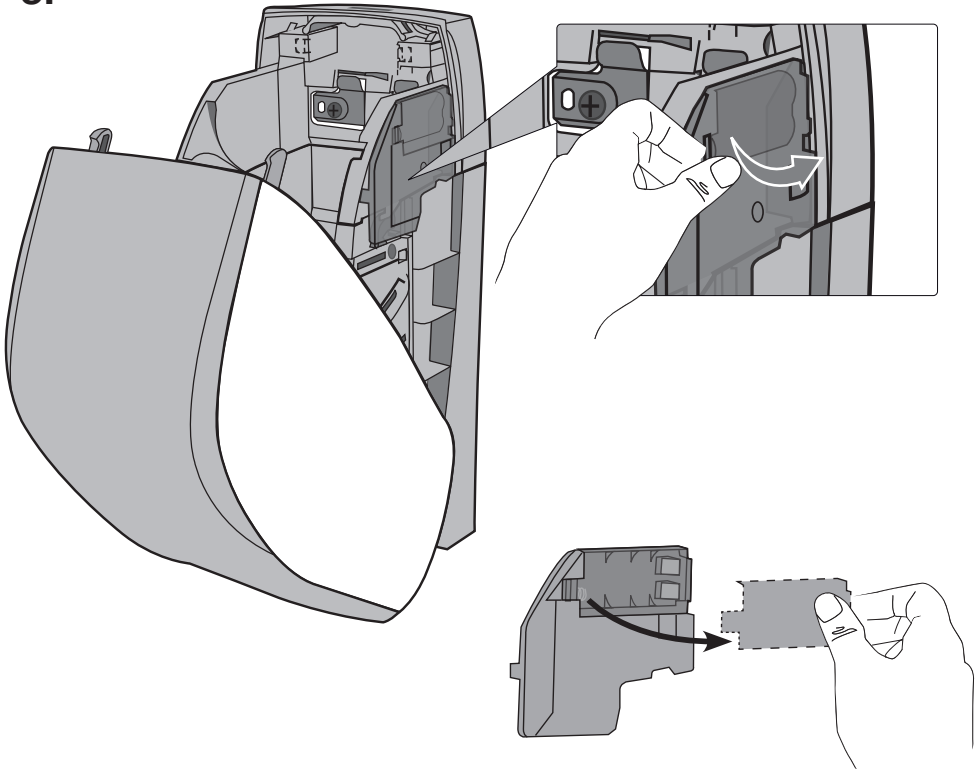
1.



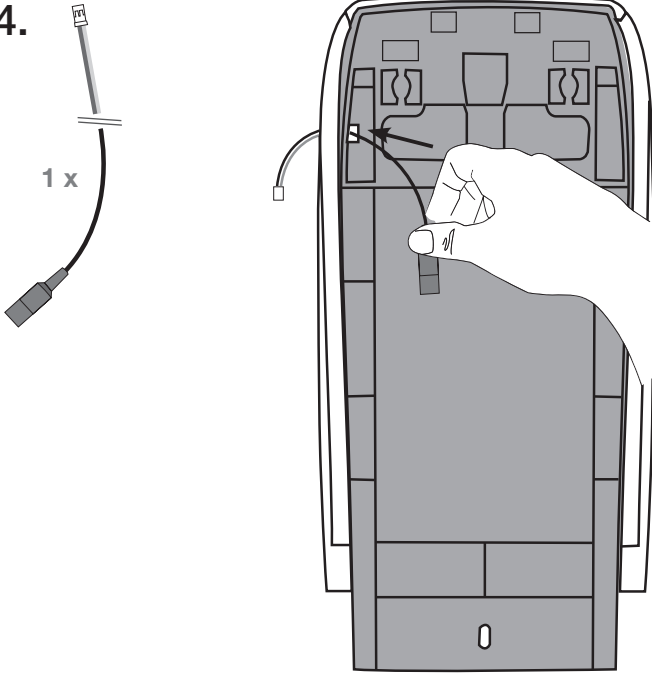
2.



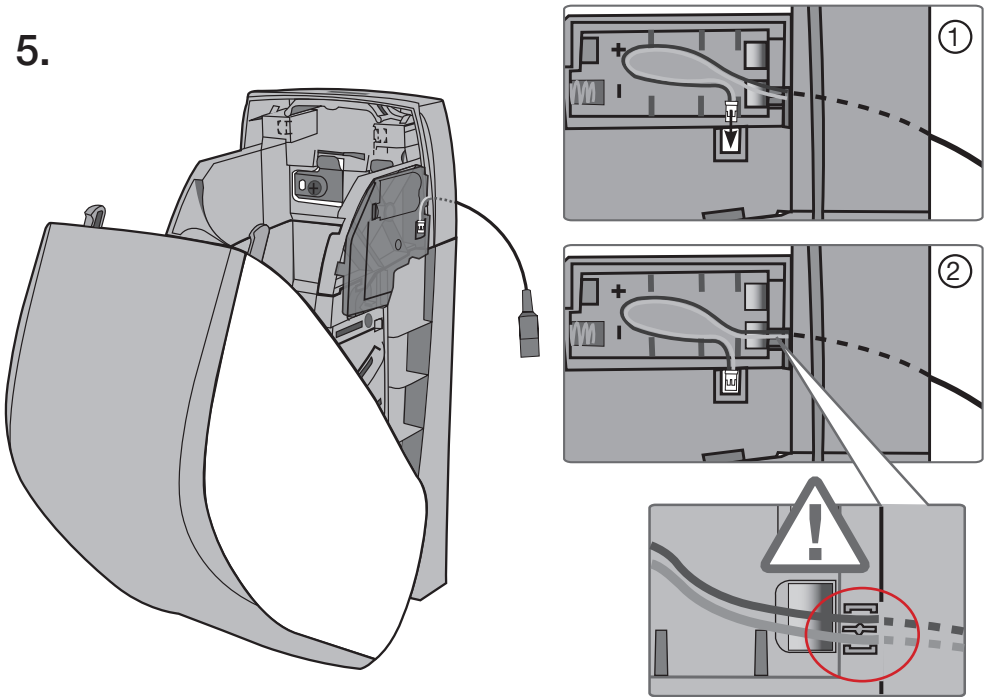
3.



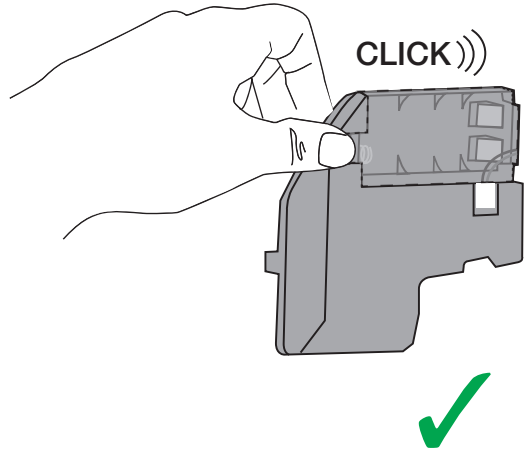
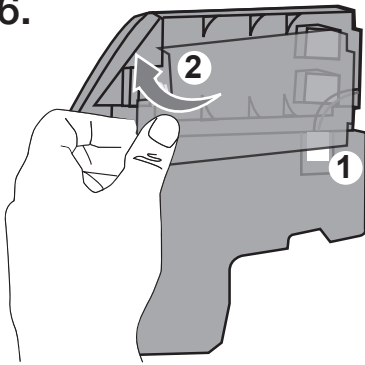
4.



5.



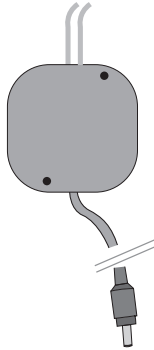
6.



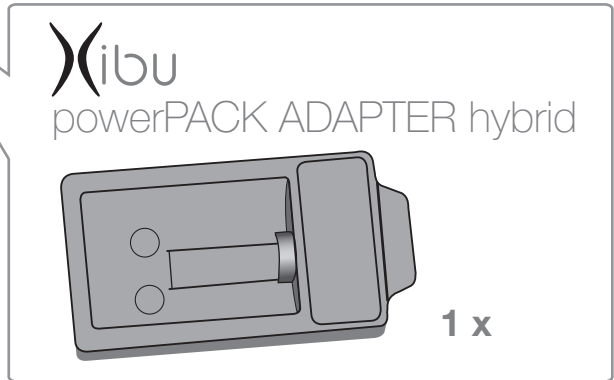
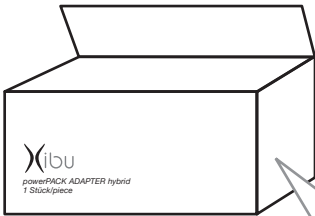
7.

powerPACK in

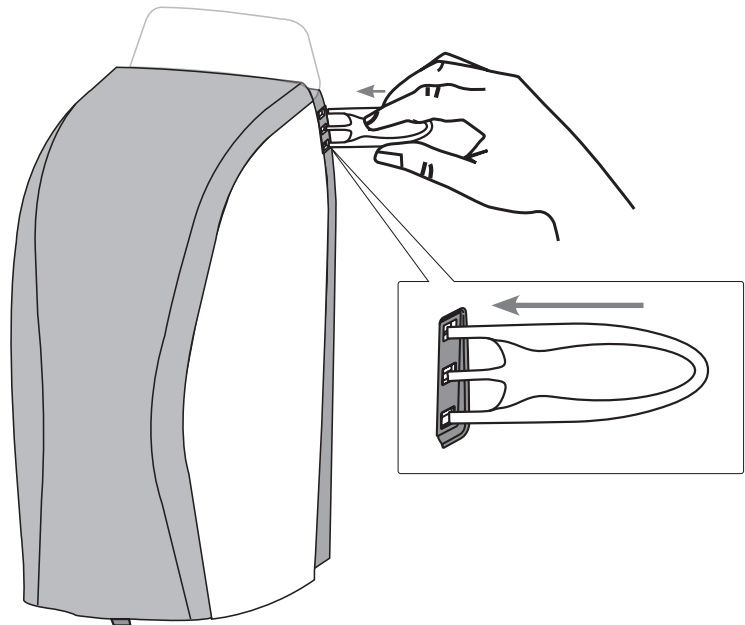
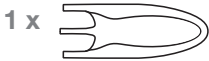
AC 100-240V~
50-60Hz 370mA



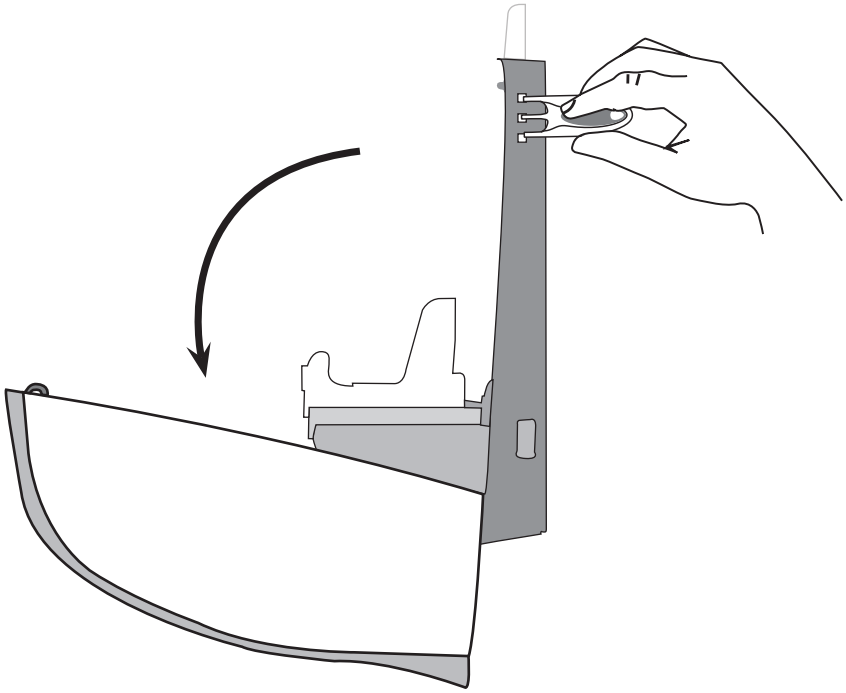
Xibu DISINFECT / FOAM / SEAT DISINFECT / CARE MOUSSE / FLUID hybrid



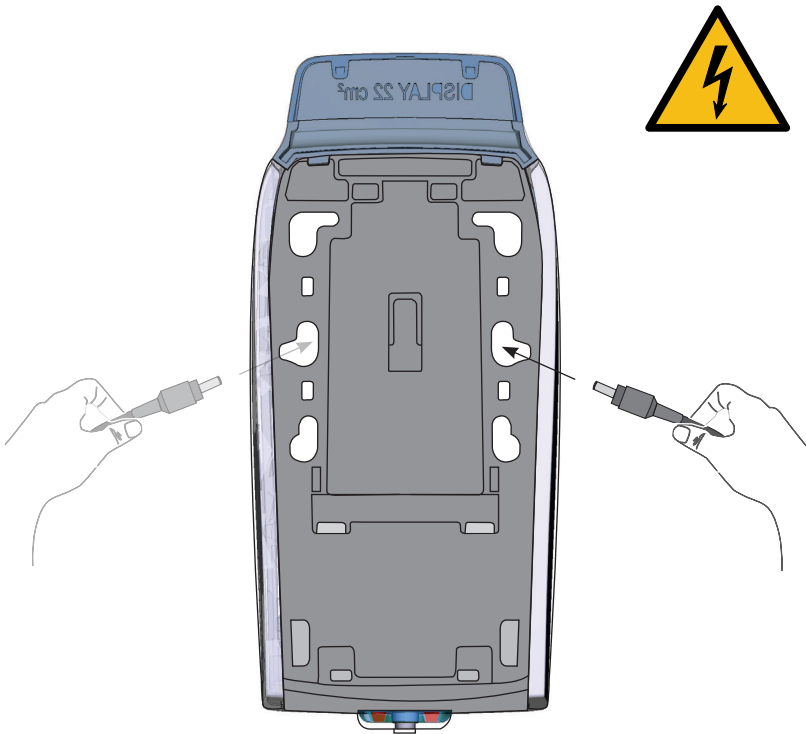
1.



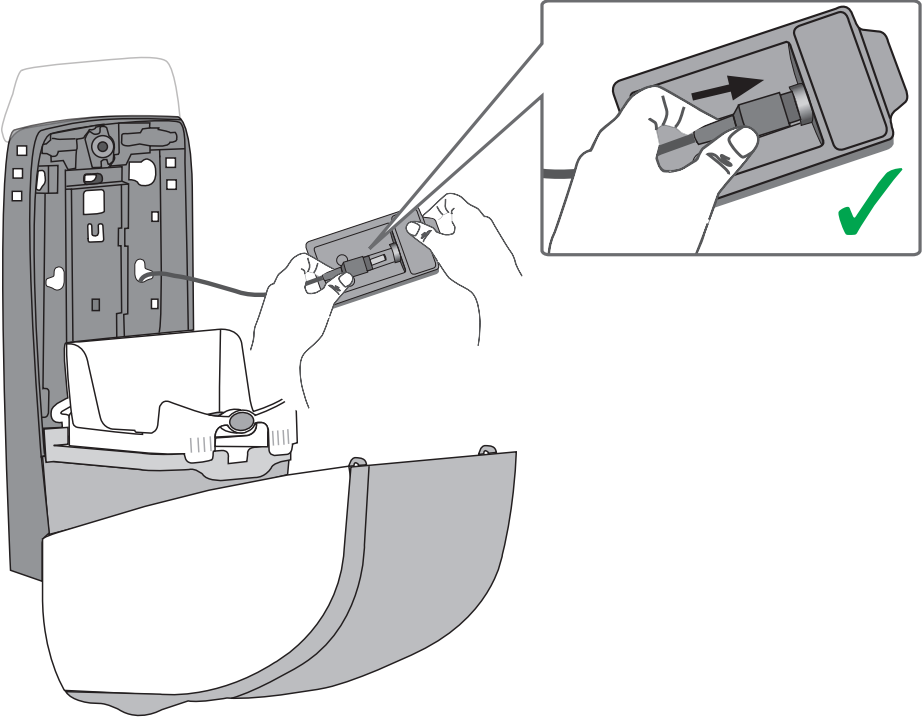
2.



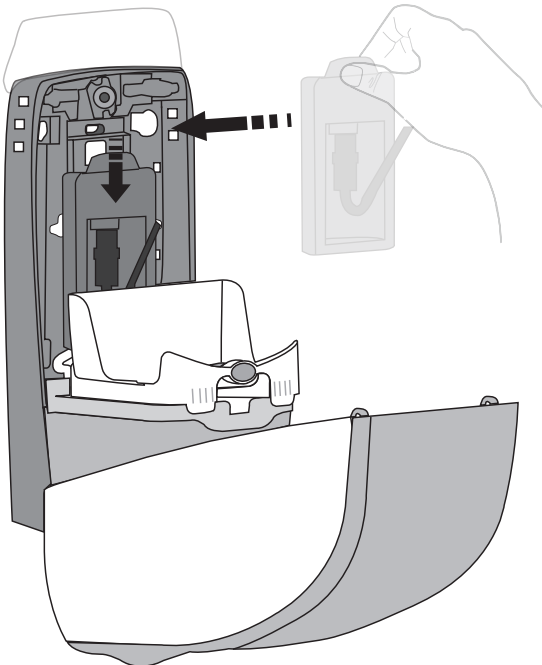
3.



4.



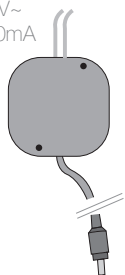
5.



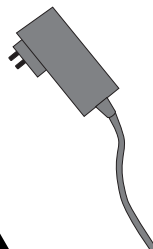
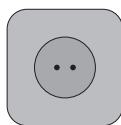
6.

powerPACK in

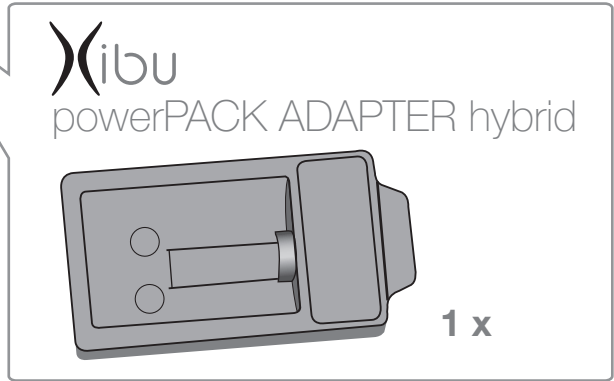
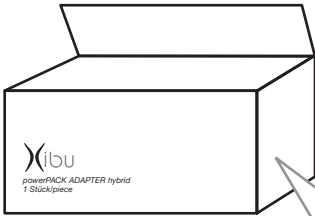
AC 100-240V~
50-60Hz 370mA



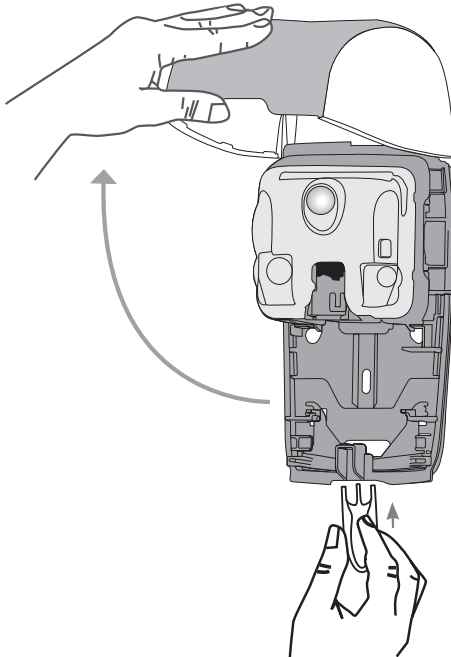
powerPACK ex



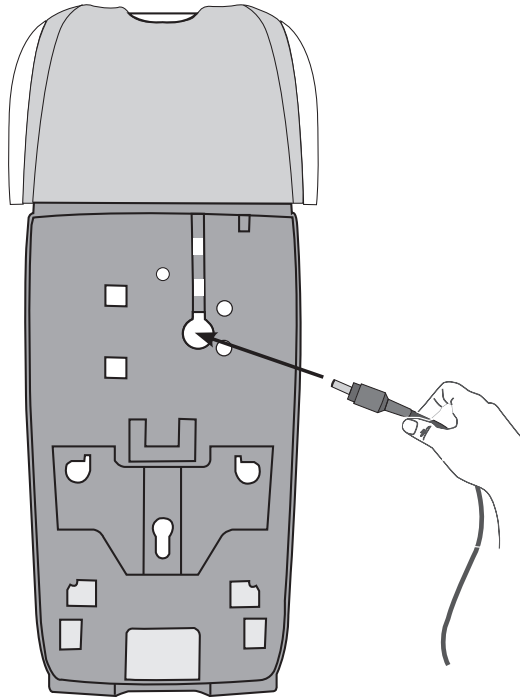
Xibu AIRFRESH hybrid



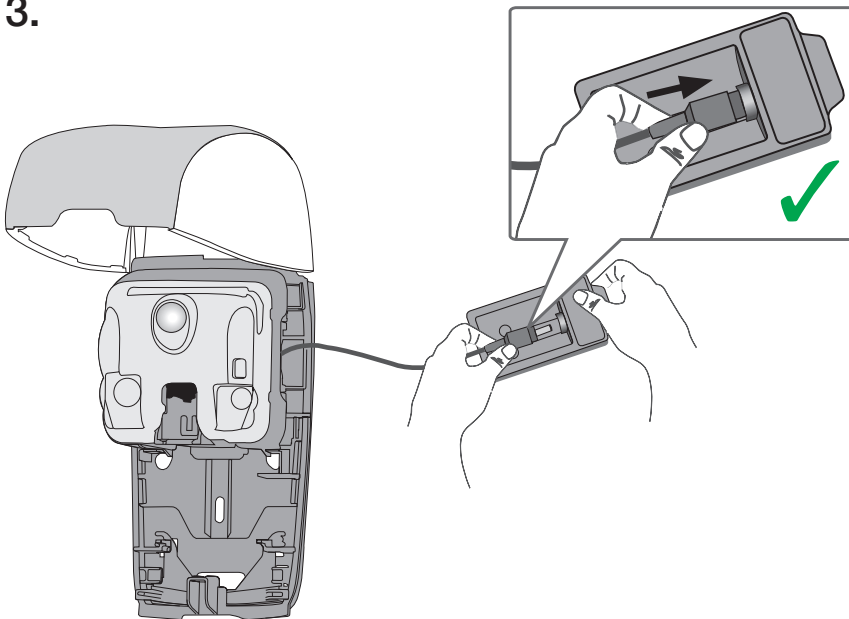
1.



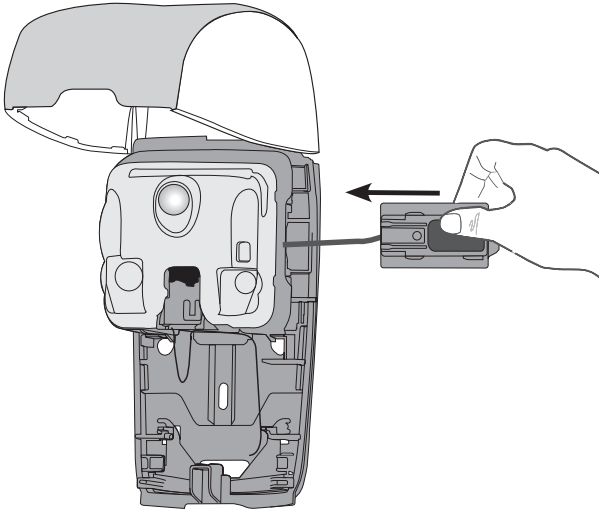
2.



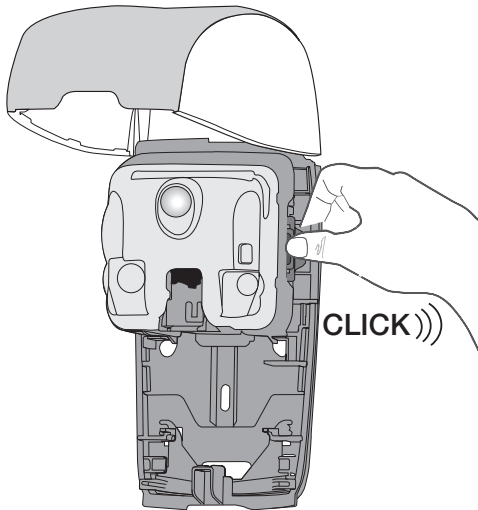
3.



4.



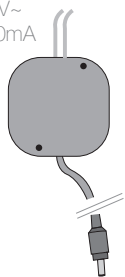
5.



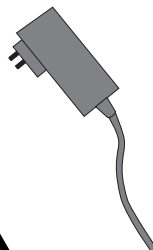
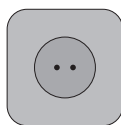
6.

powerPACK in

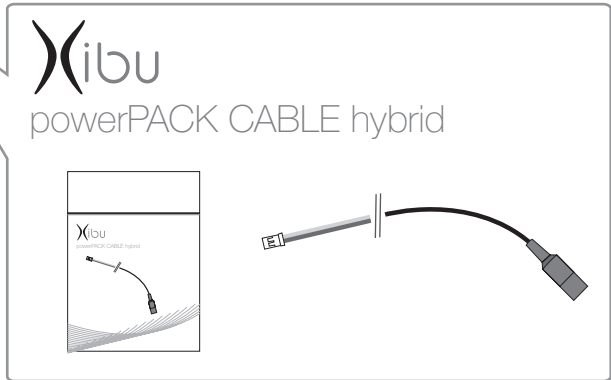
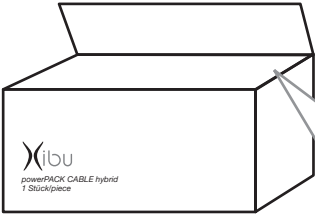
AC 100-240V~
50-60Hz 370mA



powerPACK ex

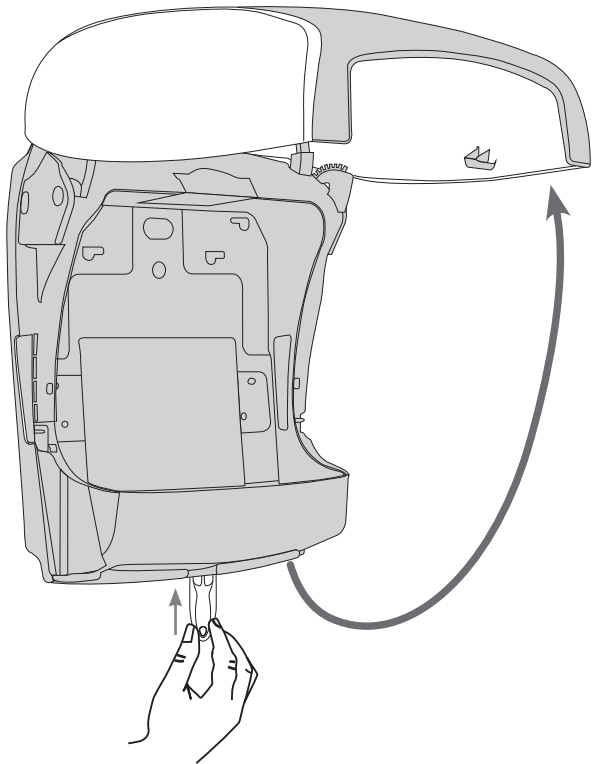
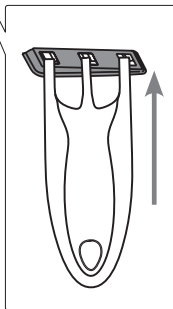
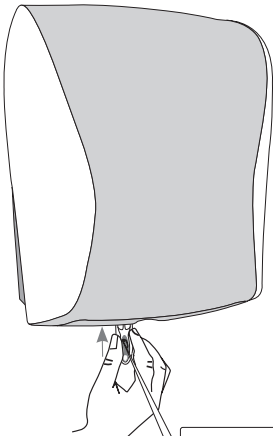


Xibu MULTIFOLD

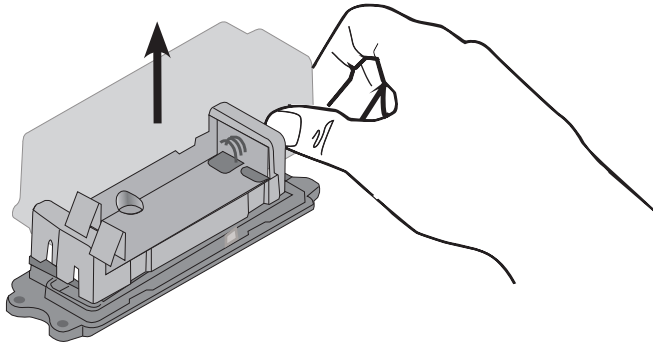


1.

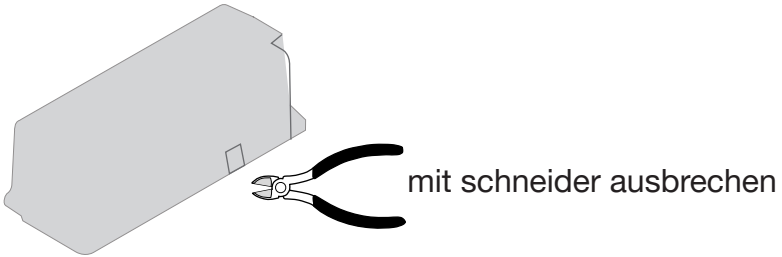
1 x



2.

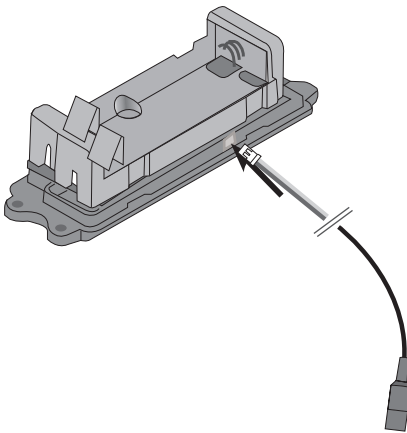


3.

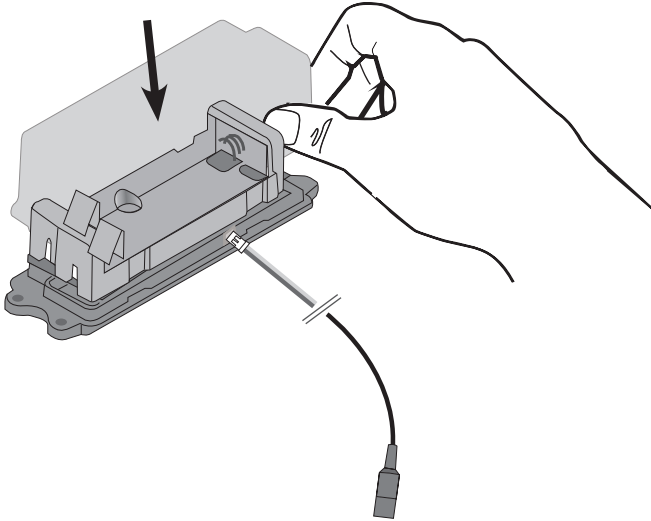


kabel einstecken

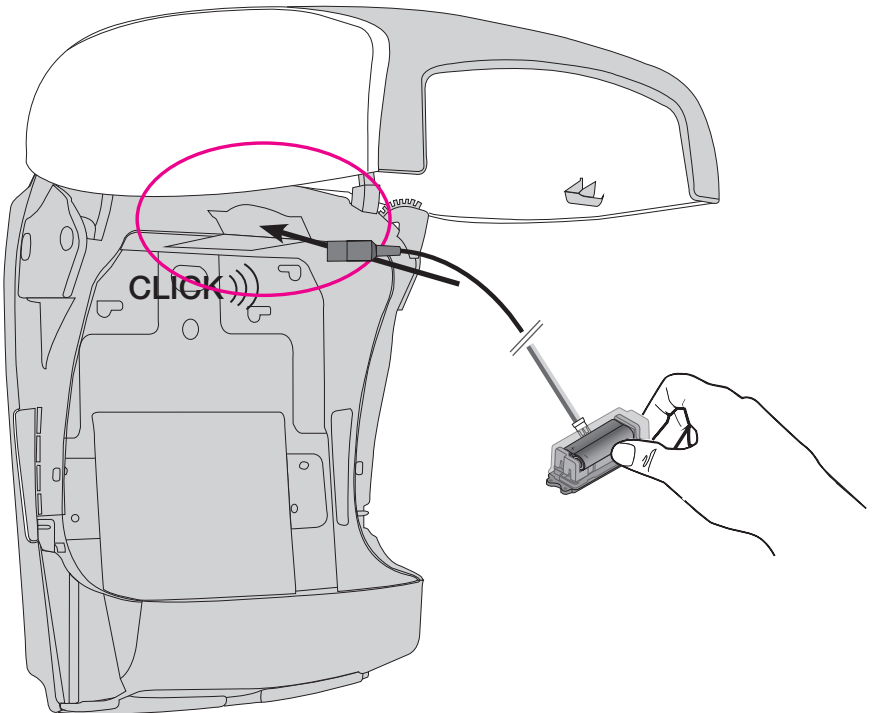
4.



5.



6.



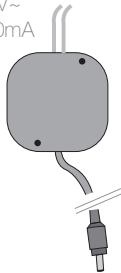
7.



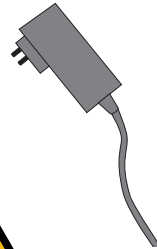
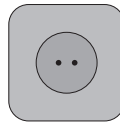
8.

powerPACK in

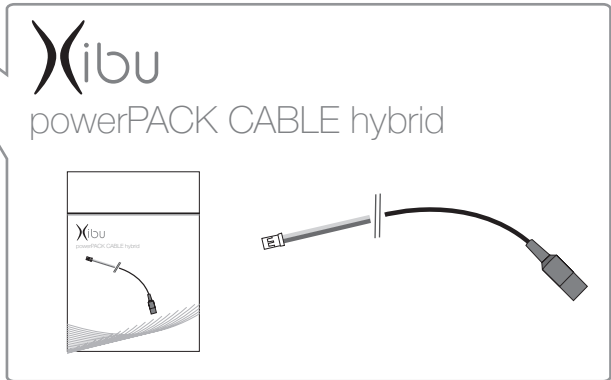
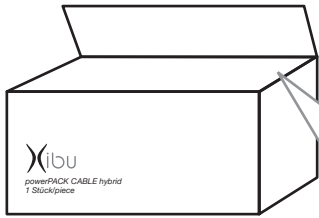
AC 100-240V~
50-60Hz 370mA



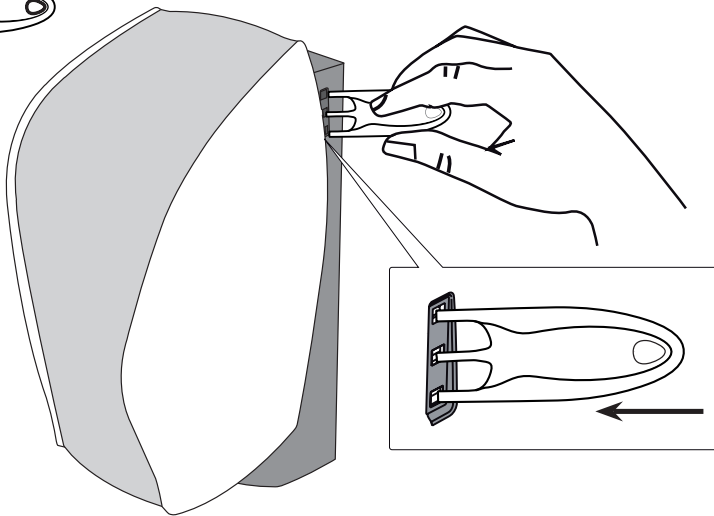
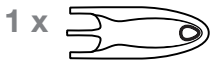
powerPACK ex



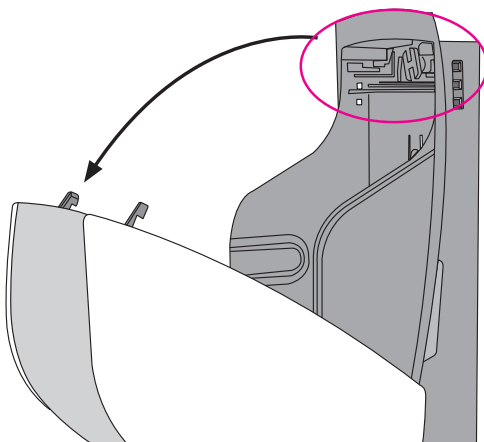
Xibu TISSUEFOLD



1.

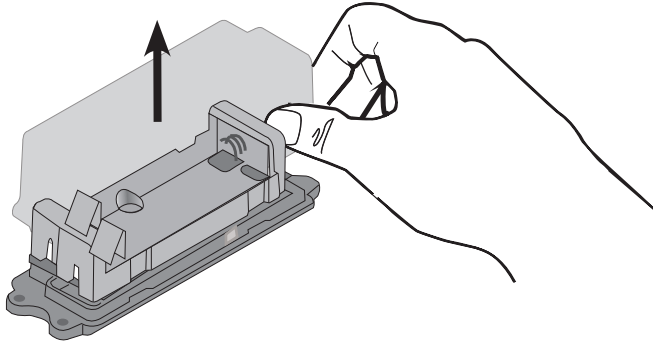


2.

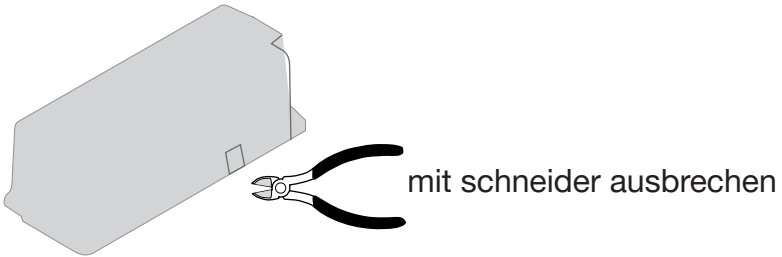


schaut anders aus

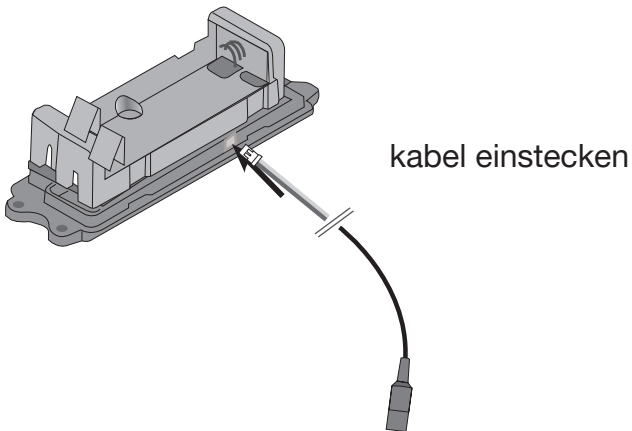
3.



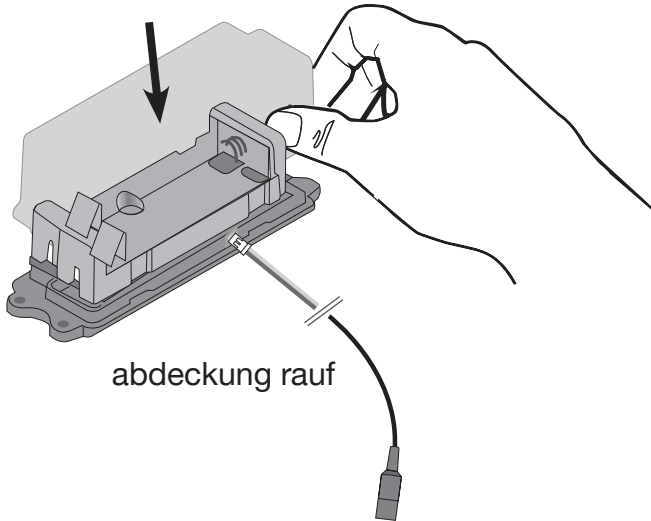
4.



5.

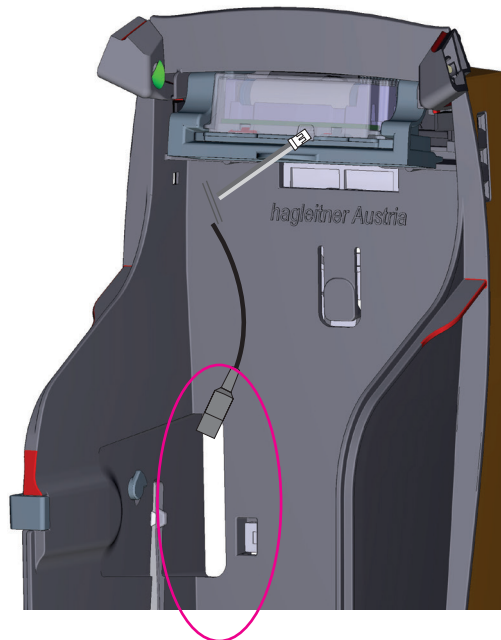


6.



7. MLE reingeben

8. kabel links unten rausführen

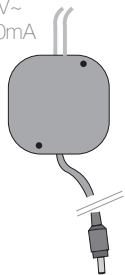


holder TISSUEFO
rid ist drinn

9.

powerPACK in

AC 100-240V~
50-60Hz 370mA



powerPACK ex

