



Welcome to
Hagleitner

Thank you for downloading the
Hagleitner App.

Manage your Hagleitner devices with
this app. Activate your dispensers,
perform service maintenance, and
get the current status of your
devices on your smartphone.

This will make your cleaning
operations efficient.

Start now and benefit from the
digital services.

START NOW



Login

Enter your email adress and password.

E-Mail*

Password*

[Forgot Password?](#)

[New at Hagleitner?
Join now](#)

LOGIN



Activate product

Please open package No. 1
and scan the QR Code.

- ① integral 4PLUS
- ② integral 4PLUS PUMP
- ③ integral 4PLUS FLOW METER
- integral 4PLUS DISPLAY

SCAN QR-CODE

Enter article number

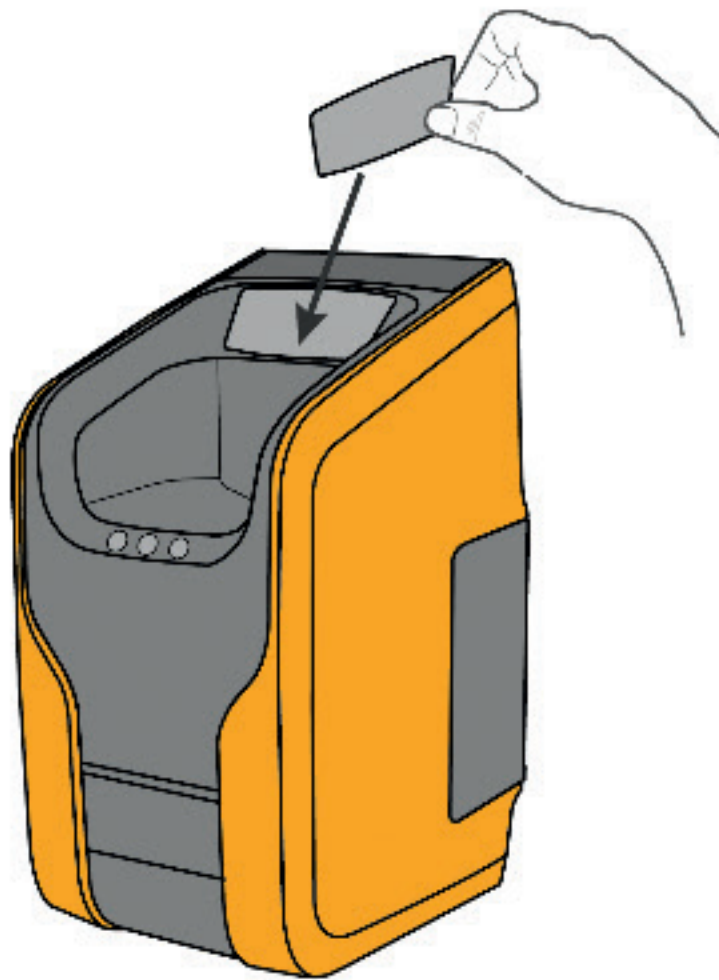
NEXT

Cancel



Insert Label

Please insert the product label in the appropriate dispenser. The label is in the package of the pump.



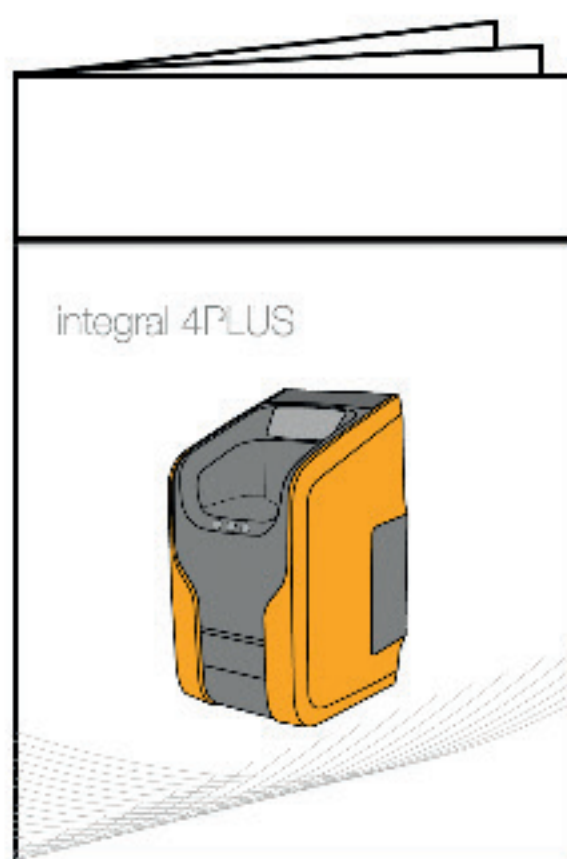
NEXT

Cancel



Installation and commissioning

See operation instruction starting p.13
[http://www.hagleitner.com/at/
mediencenter/downloads/
integral-4plus/](http://www.hagleitner.com/at/mediencenter/downloads/integral-4plus/)



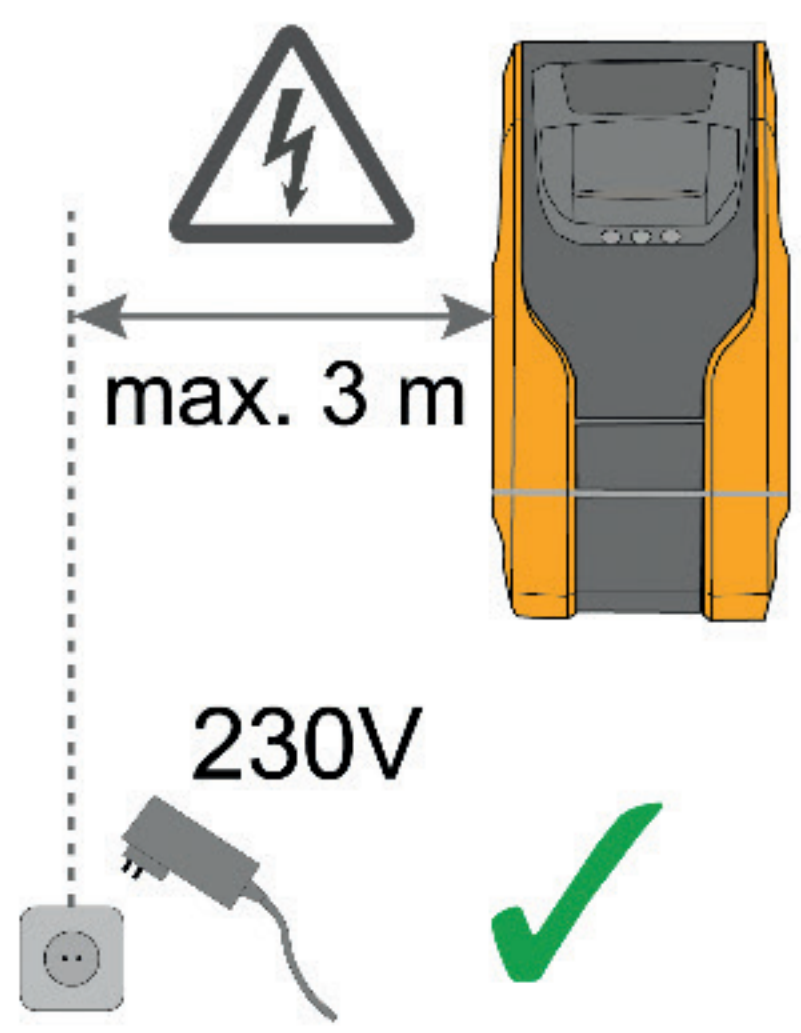
NEXT

Cancel



Safety note: power connection

Ensure the correct voltage supply.



NEXT

Cancel



Devices successfully connected

The app is now connected to the following devices

4PLUS POWER

4PLUS BRITE



NEXT



Assignment location and machine type

Set machine type and location.

4PLUS POWER

Machine type*



Location*

Customer number*

Choose country*

Austria



NEXT

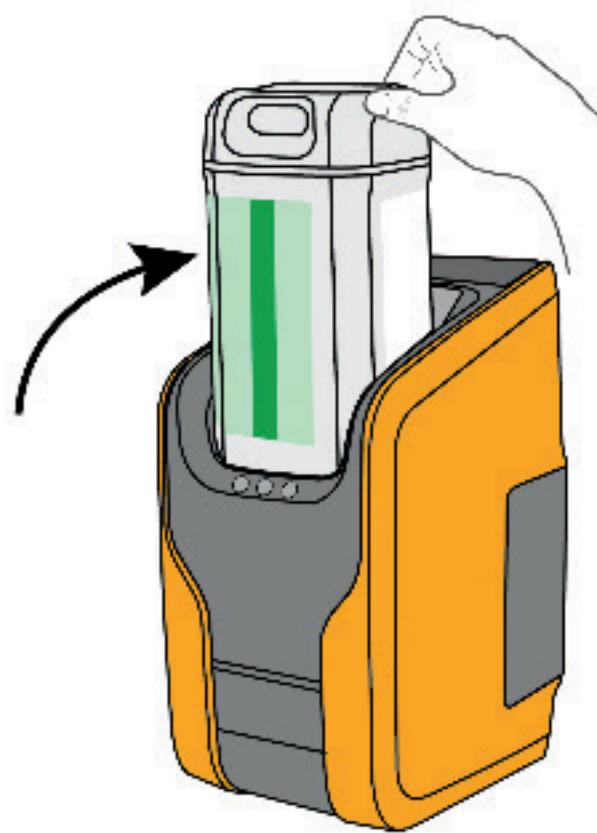
Cancel



Insert cartridge

Now insert the cartridge into the dispenser. When inserting the cartridge, be sure to match the product and label names on the dispenser. Then close the dispenser.

4PLUS POWER



NEXT

Cancel



Line is vented

Please be patient for a moment, until all lines are vented. For a premature vent stop, press on the respective dispenser.

 4PLUS POWER





Rinse

Fill the baskets of the dishwasher with dishes and start a wash cycle.

Is the rinsing result OK?

YES

No



Dishwasher / Head Office 1st floor

Machine type

Dishwasher

Water hardness(°dH)

10,00

Dishes

Glasses, ceramics, plastic,
metal

Customer number

536165

DOWNLOAD OVERALL EVALUATION

SETTINGS



18040507-0019



Details

Analysis

Status



Firmware

1.0.0-rc4

Chemistry

**Error message: cartridge missing -
please insert cartridge**

Cancel

Continue

TAKE QUANTITY

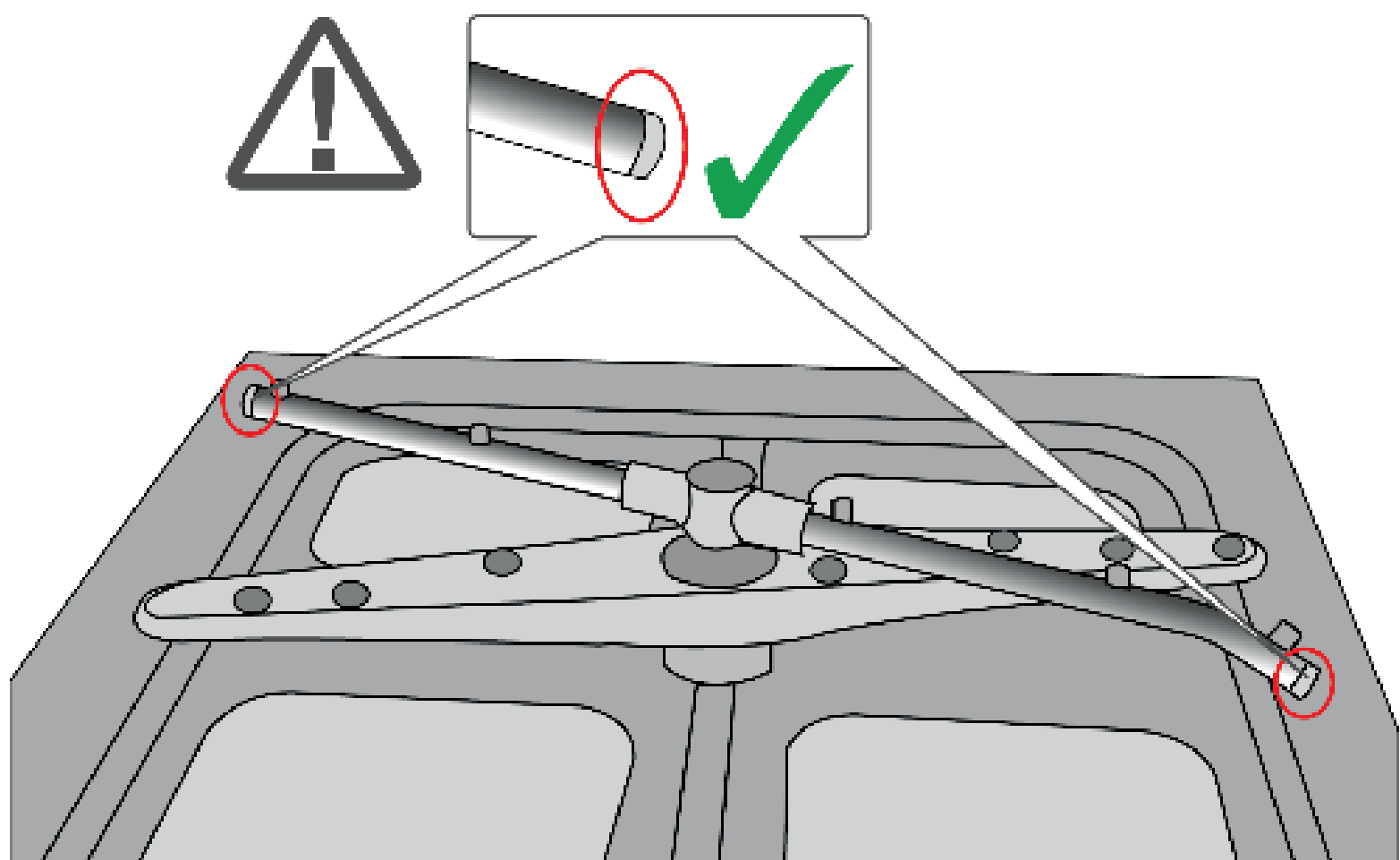
MAINTAIN / SERVICE

PROBLEM SOLVING



End caps of the rinse arms

Are all end caps of the rinse
arms available?



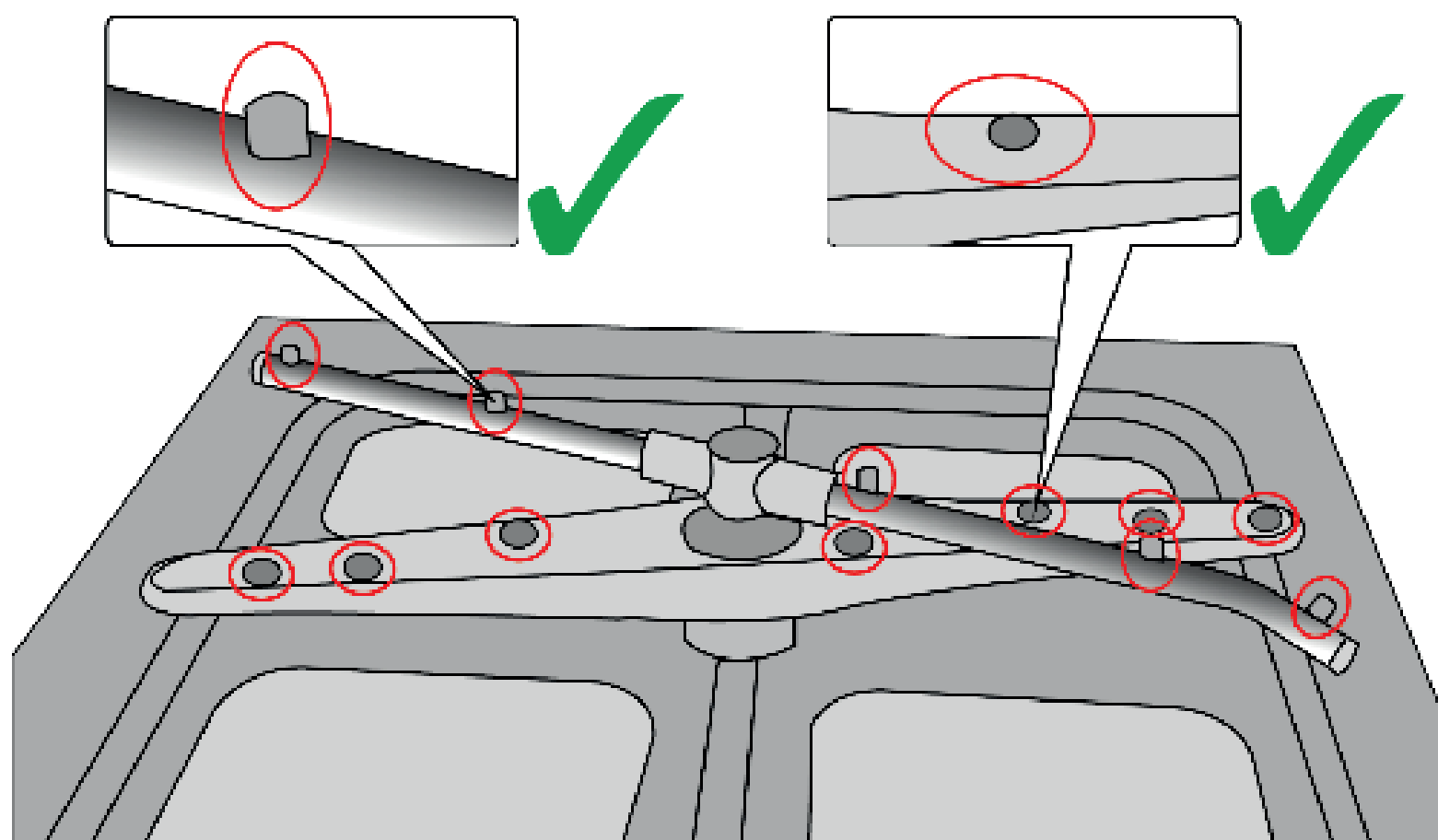
YES

No



Nozzles of the rinse arms

Are all the nozzles of your
washing and rinsing arms clean
and complete?



YES

No



Do a dip cleaning

To remove coverings, a dip cleaning must be carried out.

We recommend ecosol
DIPPING CLEANER.



Do you have drops or streaks on the dishes and / or wet / tarnished glasses?

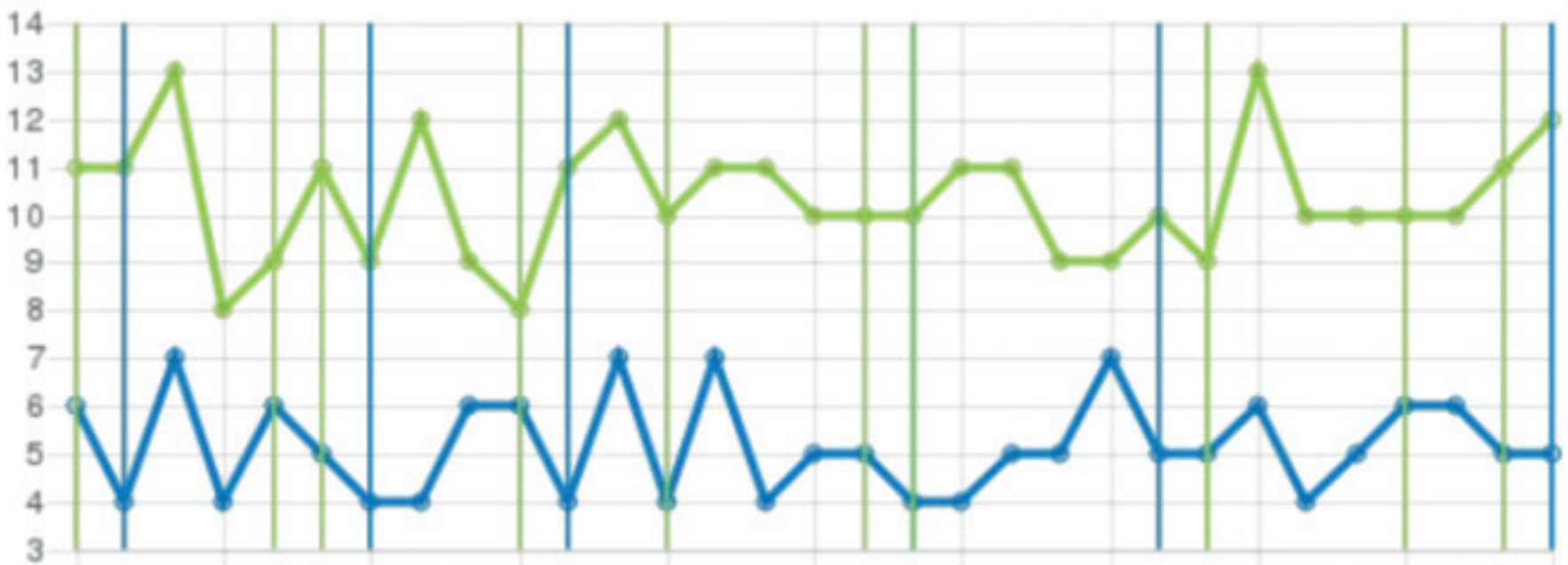


YES

No



Plus



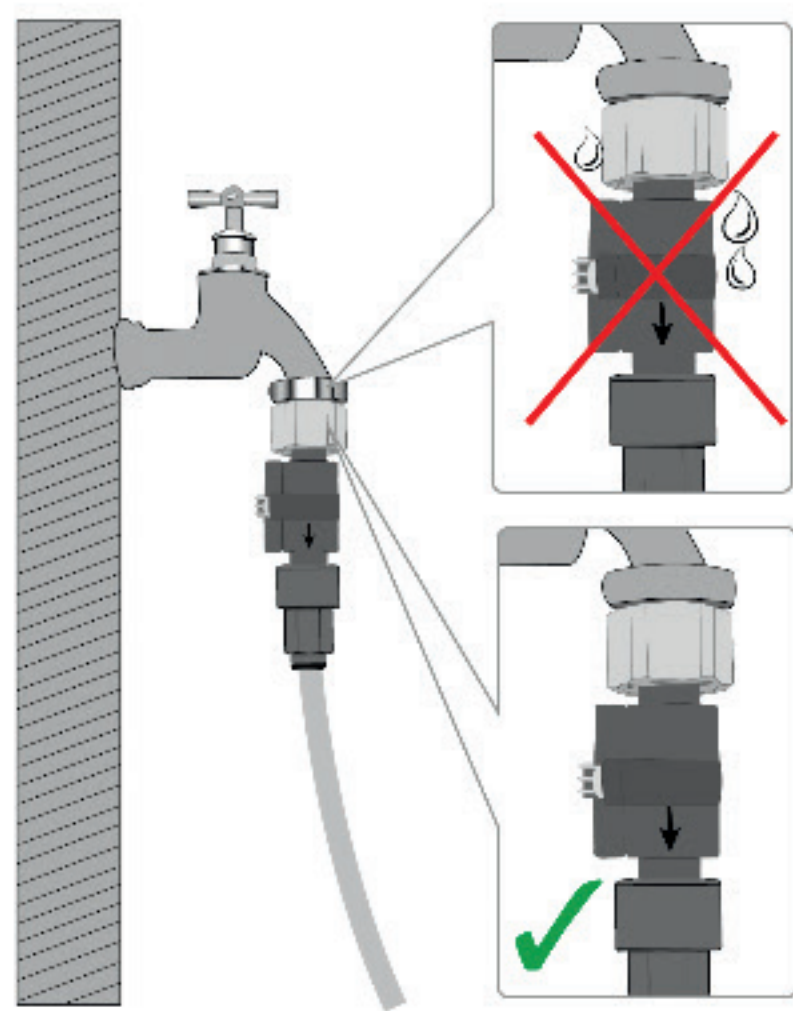
- ✓ Fatrate for all analysis
- ✓ Standard analyse of a machine
- ✓ Comparison evaluation between machines or periods
- ✓ Tailored in the mailbox

SELECT OPTIONS



Safety note: water meter

Make sure that the water connection has been checked for leaks when installing the water meter.



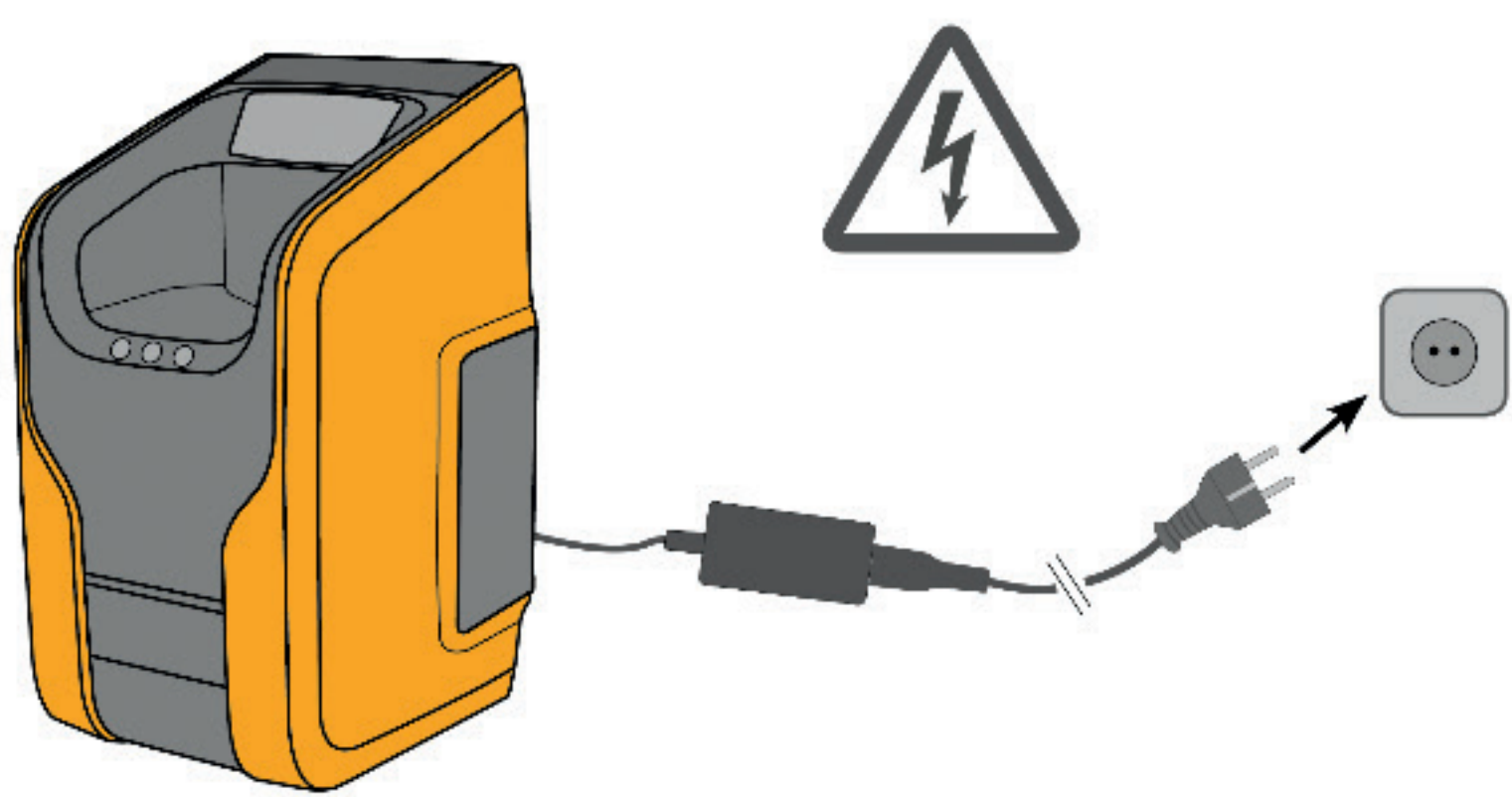
NEXT

Cancel



Connect power

Make sure that the dispenser is connected to the power supply.



NEXT

Cancel



Devices are connected

4PLUS POWER

4PLUS BRITE



Cancel